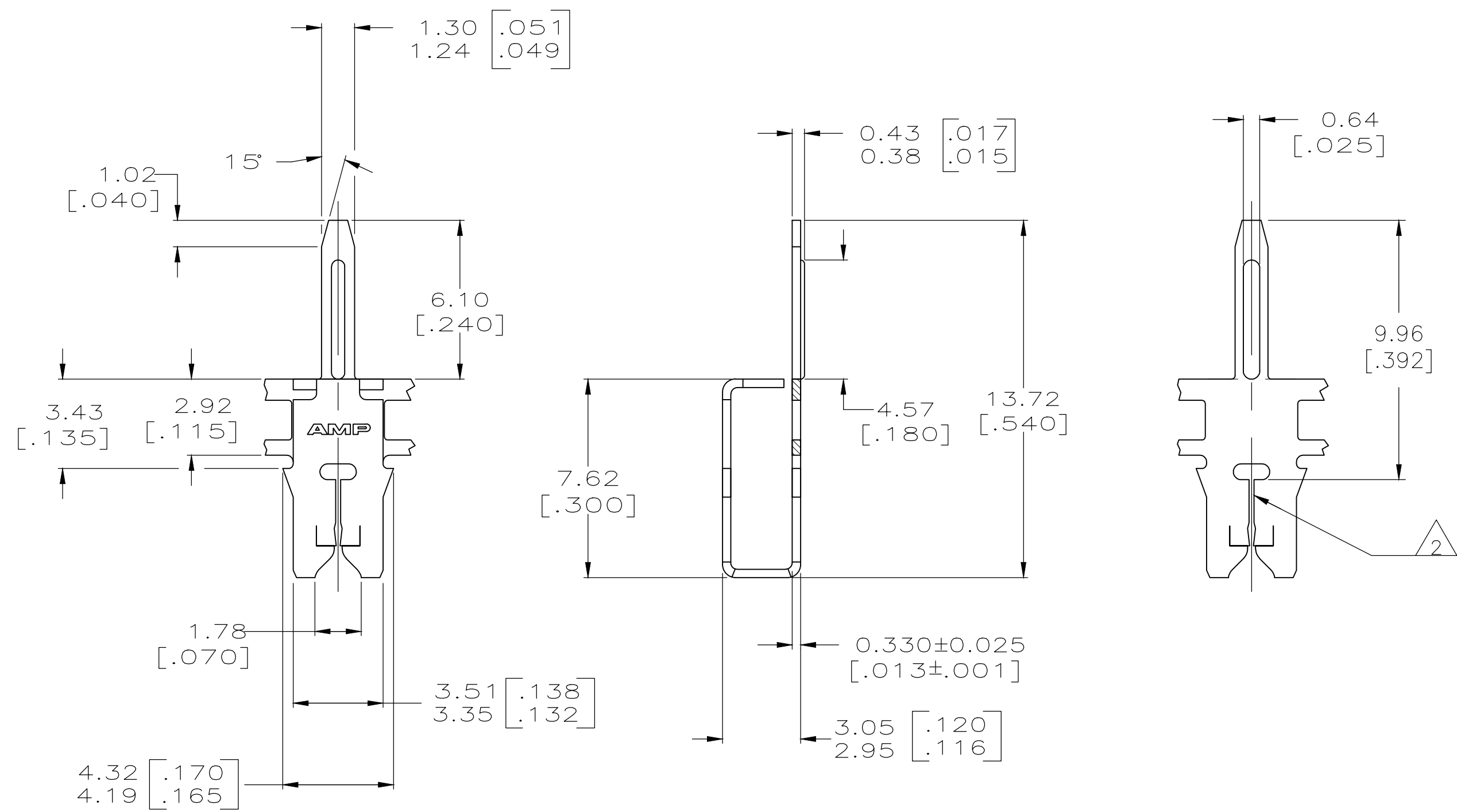
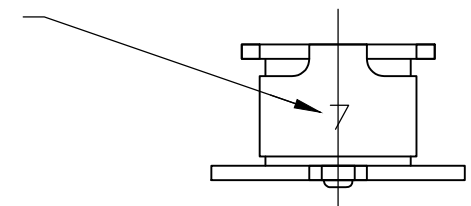


THIS DRAWING IS UNPUBLISHED. RELEASED FOR PUBLICATION
 © COPYRIGHT - By TE Connectivity ALL RIGHTS RESERVED.

REVISIONS					
P	LTR	DESCRIPTION	DATE	DWN	APVD
F5		ADDING SPLICE INFO FOR 62958-2	17JUL2018	SV	PKS

- 1 CONTINUOUS STRIP ON REELS WITH TERMINALS LOCATED ON 5.59±0.08 [.220±.003] CENTERS.
- 2 SLOT TERMINATES EITHER A SINGLE OR DOUBLE MAGNET WIRES OF THE SAME TYPE AND SIZE, COPPER RANGE: 0.29-0.40mm [#29-#26] AWG.
- 3 TIN OVER NICKEL UNDERPLATE.

IDENTIFICATION NUMBER 7 FOR MAGNET WIRE RANGE



WITH INTER LAYER PAPER AND LOOSE END SPLICE	62958-2
WELD SPLICE(NO INTER LAYER PAPER)	62958-1
PACKAGING	PART NUMBER

THIS DRAWING IS A CONTROLLED DOCUMENT.		DWN 08/OCT/94 MICHAEL S. FEHER	TE TE Connectivity	
DIMENSIONS: MM [INCHES]		CHK 10/OCT/94 PHILLIP M. FORTNEY		
TOLERANCES UNLESS OTHERWISE SPECIFIED:		APVD 10/OCT/94 K RANDOLPH	NAME POST, TERMINAL, MAG-MATE	
0 PLC ± -		PRODUCT SPEC 108-2012	SIZE A2	
1 PLC ± -		APPLICATION SPEC 114-2046	CAGE CODE 00779	DRAWING NO 62958
2 PLC ± 0.25 [.010]		MATERIAL BRASS	RESTRICTED TO	REV F5
3 PLC ± -		FINISH - 3	SCALE 6:1	SHEET 1 OF 1
4 PLC ± -		CUSTOMER DRAWING		
ANGLES ± 1°				

单击下面可查看定价，库存，交付和生命周期等信息

[>>TE Connectivity\(泰科\)](#)