

THIS DRAWING IS UNPUBLISHED. RELEASED FOR PUBLICATION
 © COPYRIGHT - By - ALL RIGHTS RESERVED.

REVISIONS					
P	LTR	DESCRIPTION	DATE	OWN	APPD
G		REVISED PER ECO-16-004940	05AUG2016	NK	MZ
H		REVISED PER ECO-17-009310	28JUN2017	RS	MZ
J		REVISED PER ECO-18-000439	19JAN2018	RS	MZ

- 1 0.76um[.000030] MIN GOLD IN LOCALIZED GOLD PLATE AREA, 3.81um [.000150] MIN TIN-LEAD IN LOCALIZED TIN PLATE AREA, BOTH OVER 1.27um[.000050] MIN NICKEL.
- 2 POSITIONS 1 THRU 11 AND 17 THRU 25 ARE LOADED WITH GROUND TYPE CONTACTS, POSITIONS 12 THRU 16 ARE LOADED WITH POWER TYPE CONTACTS.
- 3 POSITIONS 1 THRU 6 AND 17 THRU 25 ARE LOADED WITH GROUND TYPE CONTACTS, POSITIONS 7 THRU 16 ARE LOADED WITH POWER TYPE CONTACTS.
- 4 2, 6, 10 TO 16, 20, 21 & 24 ARE LOADED WITH GROUND TYPE CONTACTS.
- 5 5 TO 9, 11, 13, 14, 15, 20 & 25 ARE LOADED WITH POWER TYPE CONTACTS, POSITION 10 IS LOADED WITH GROUND TYPE CONTACTS.
- 6 1 THRU 13, 15 THRU 17, 20, 21, 23 & 25 ARE LOADED WITH POWER TYPE CONTACTS, POSITIONS 14 & 24 ARE LOADED WITH GROUND TYPE CONTACTS.
- 7 2.54um[.000100] MIN TIN-LEAD OVER 1.27um[.000050] MIN NICKEL.
- 8 CONTACTS: PHOSPHOR BRONZE, HOUSING; POLYSULFONE, BLACK.
- 9 0.76um[.000030] MIN GOLD IN LOCALIZED GOLD PLATE AREA, 3.81um [.000150] MIN TIN IN LOCALIZED TIN PLATE AREA, BOTH OVER 1.27um [.000050] MIN NICKEL.
- 10 2.54um[.000100] MIN TIN OVER 1.27um[.000050] MIN NICKEL.
- 11 OBSOLETE PARTS: OBSOLETE CIS STREAMLINING PER D.RENAUD/D.SINISI

FINISH	LOCATION	QTY	PART NUMBER
11	9	6	22 1-796590-6
9	5	12	1-796590-5
9	4	12	1-796590-4
10	2	25	1-796590-3
9	FULL	25	1-796590-2
10	FULL	25	1-796590-1
9	3	25	1-796590-0
11	2	25	796590-9
11	6	22	796590-8
11	5	12	796590-7
11	4	12	796590-6
11	2	25	796590-5
11	FULL	25	796590-4
11	7	25	796590-3
11	3	25	796590-2
11	2	25	796590-1

THIS DRAWING IS A CONTROLLED DOCUMENT. DIM S. WELDON 26SEP00
 DIM K. DOWHOWER 26SEP00
 DIM K. DOWHOWER 26SEP00

STE TE Connectivity Ltd.

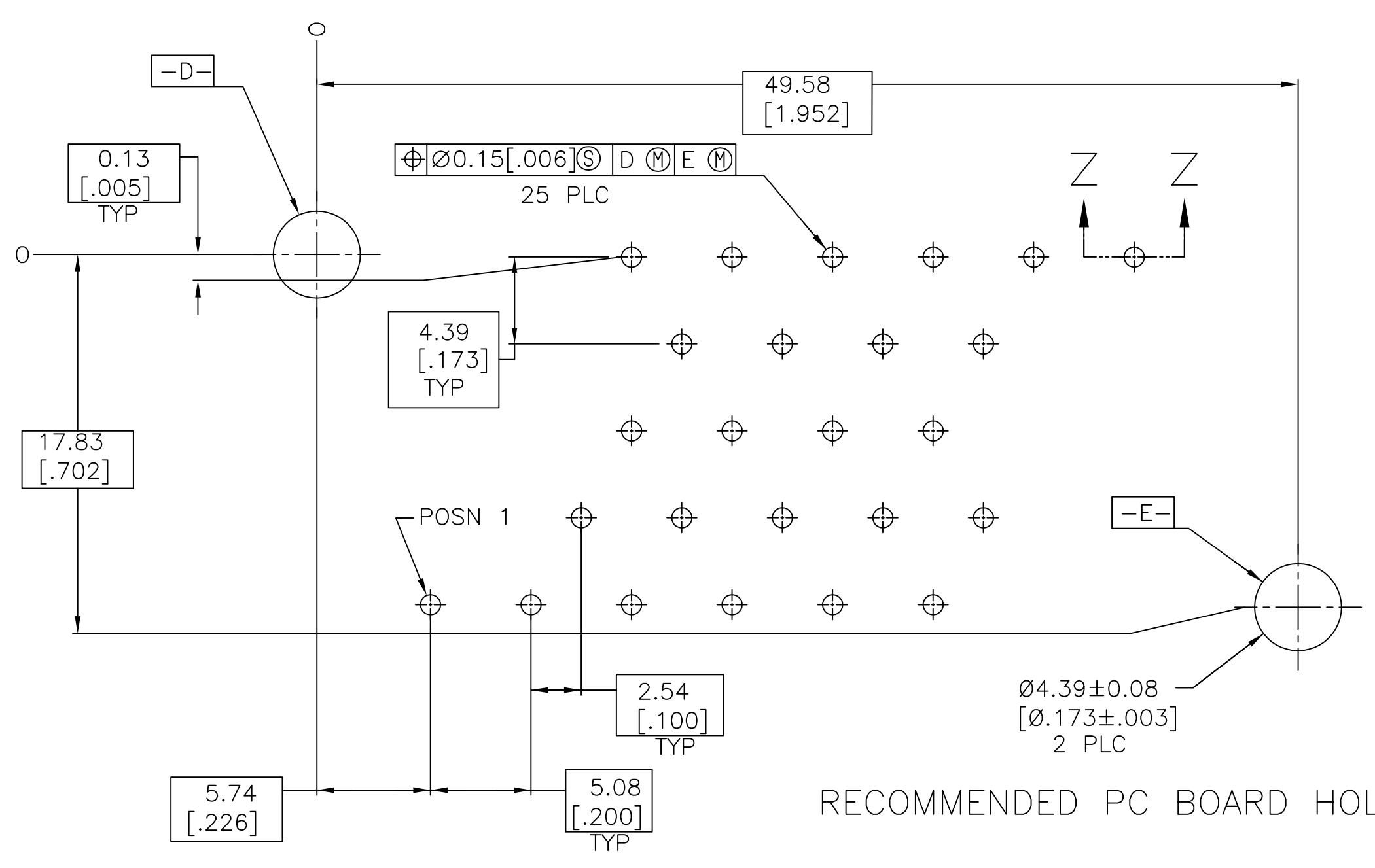
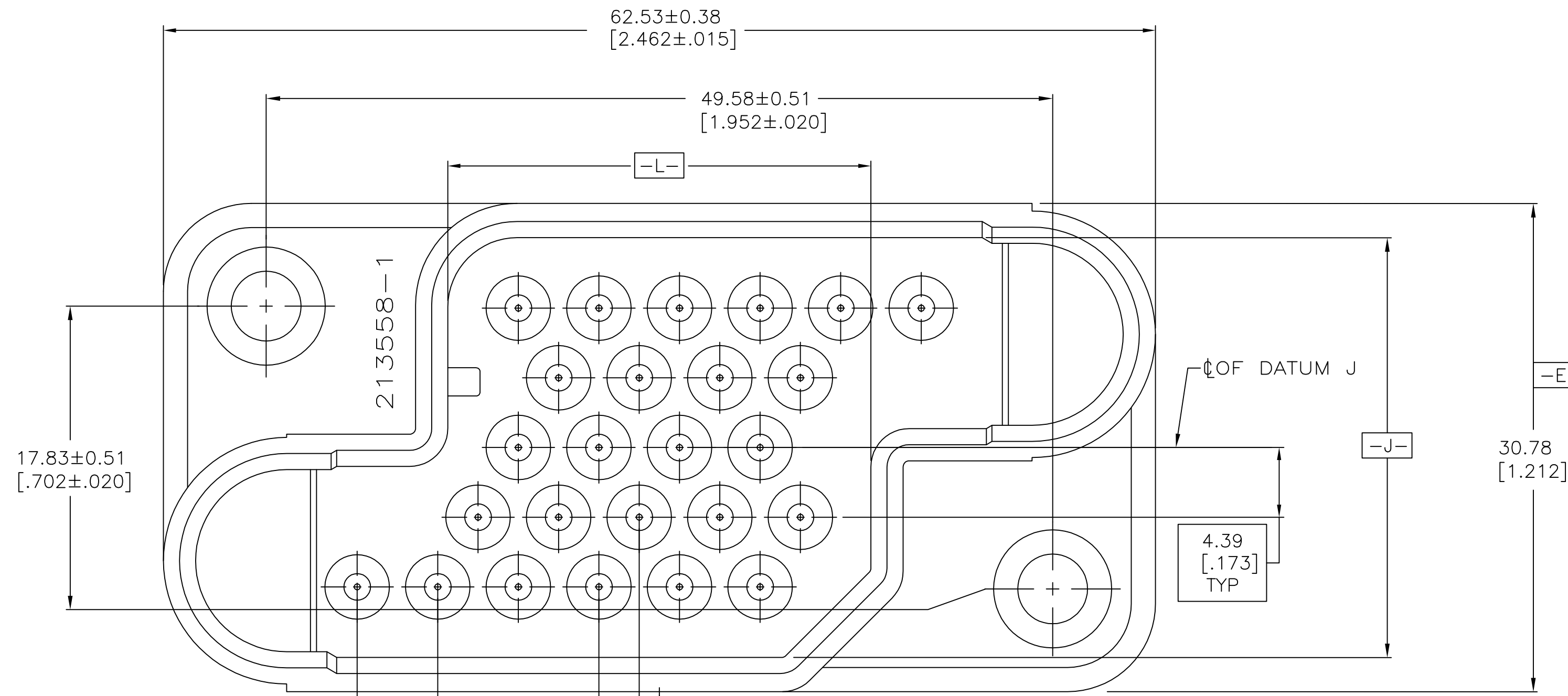
NAME: HEADER ASSEMBLY, 25 POSN, ACTION PIN, METRIMATE

PRODUCT SPEC: APPLICATION SPEC

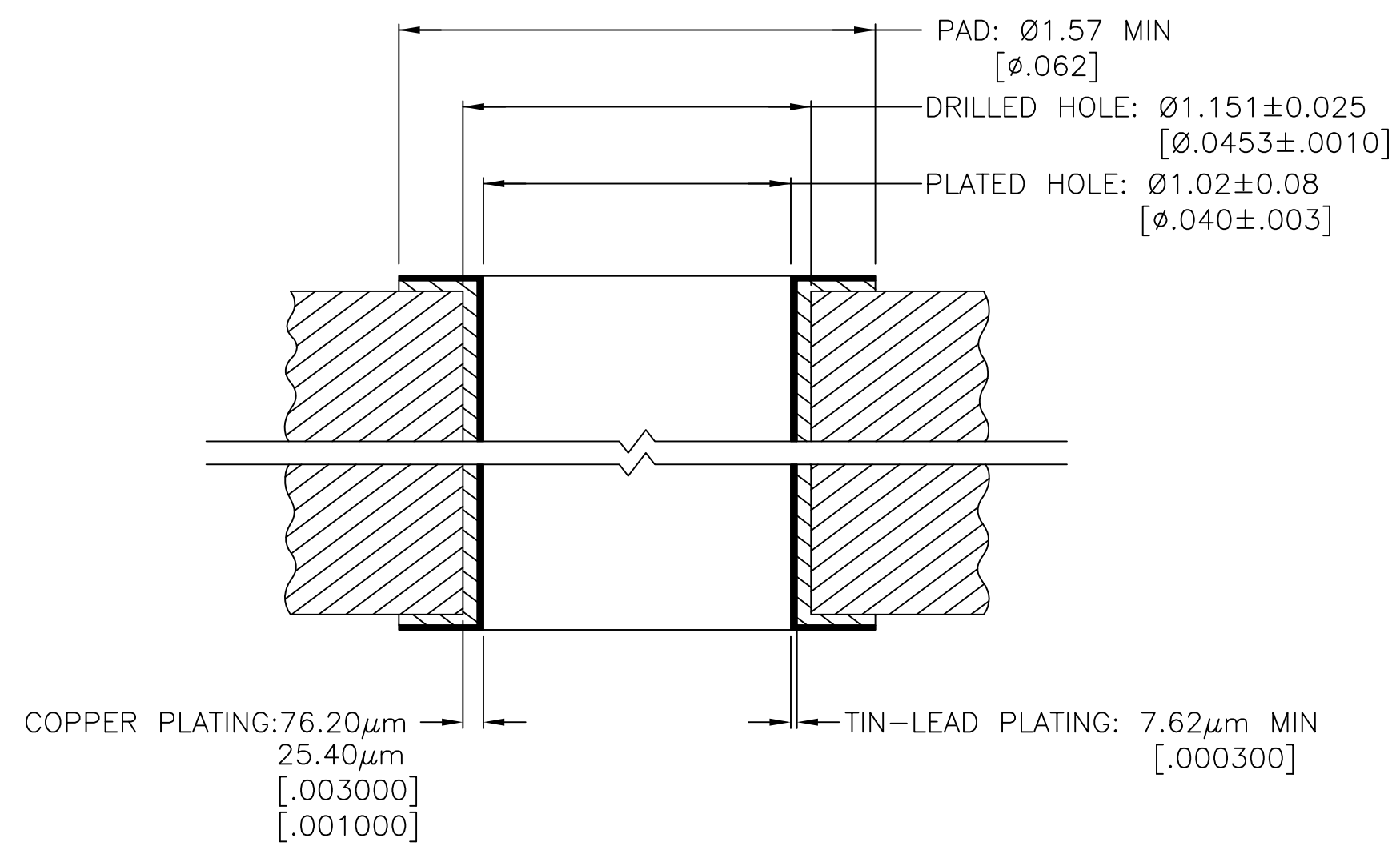
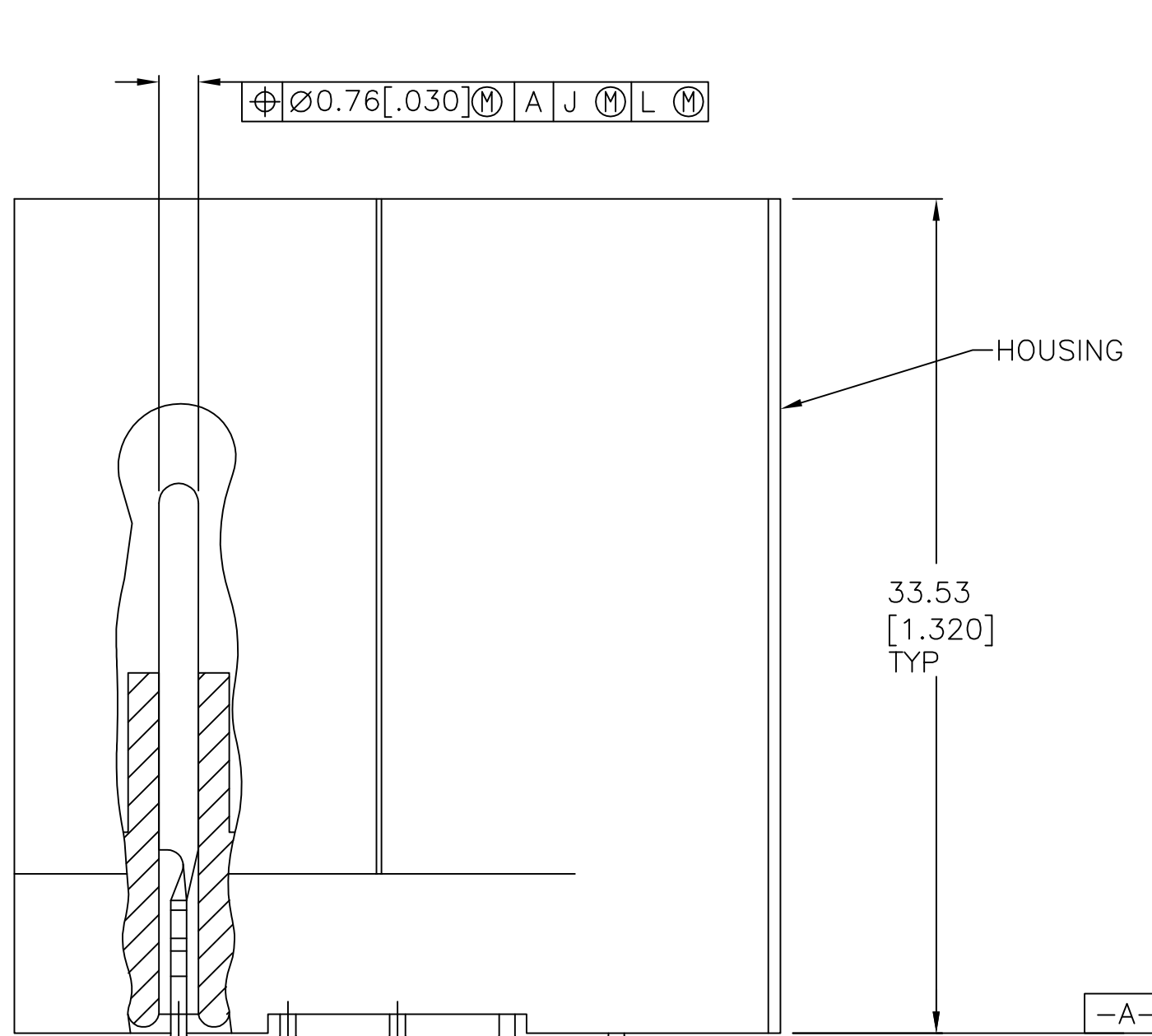
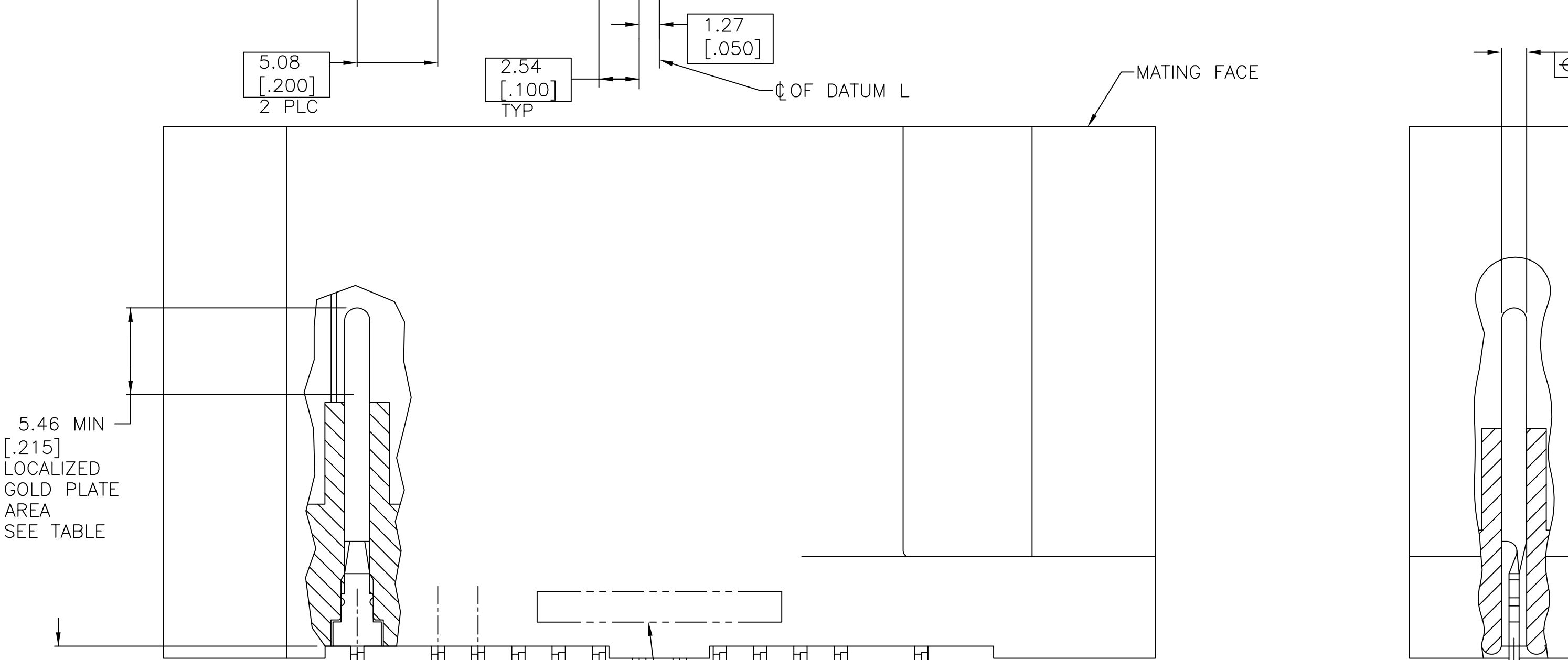
SIZE: A1 CAGE CODE: 00779 DRAWING NO: 796590

RESTRICTED TO: CUSTOMER DRAWING SCALE: 4:1 SHEET: 1 OF 2 REV: J

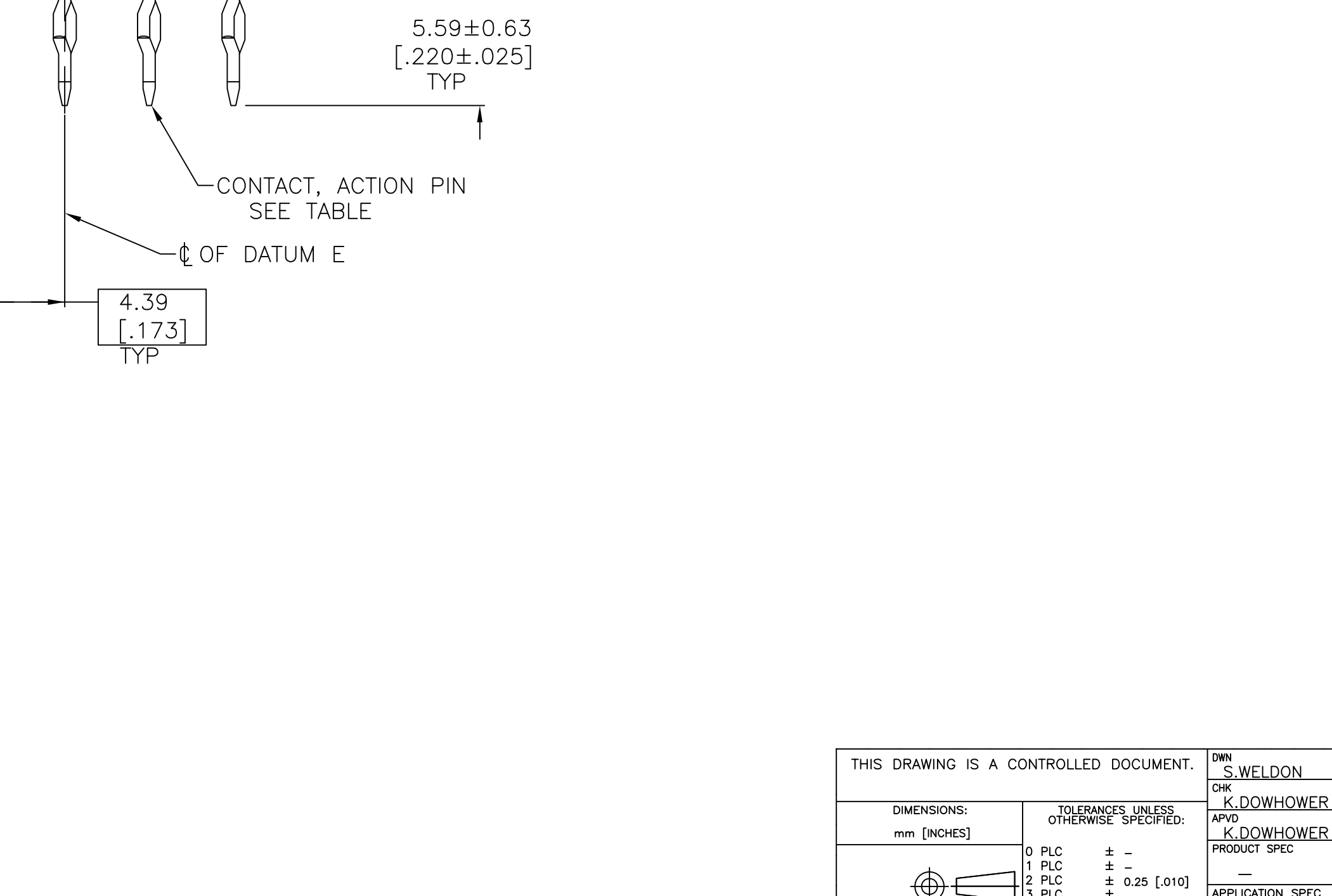
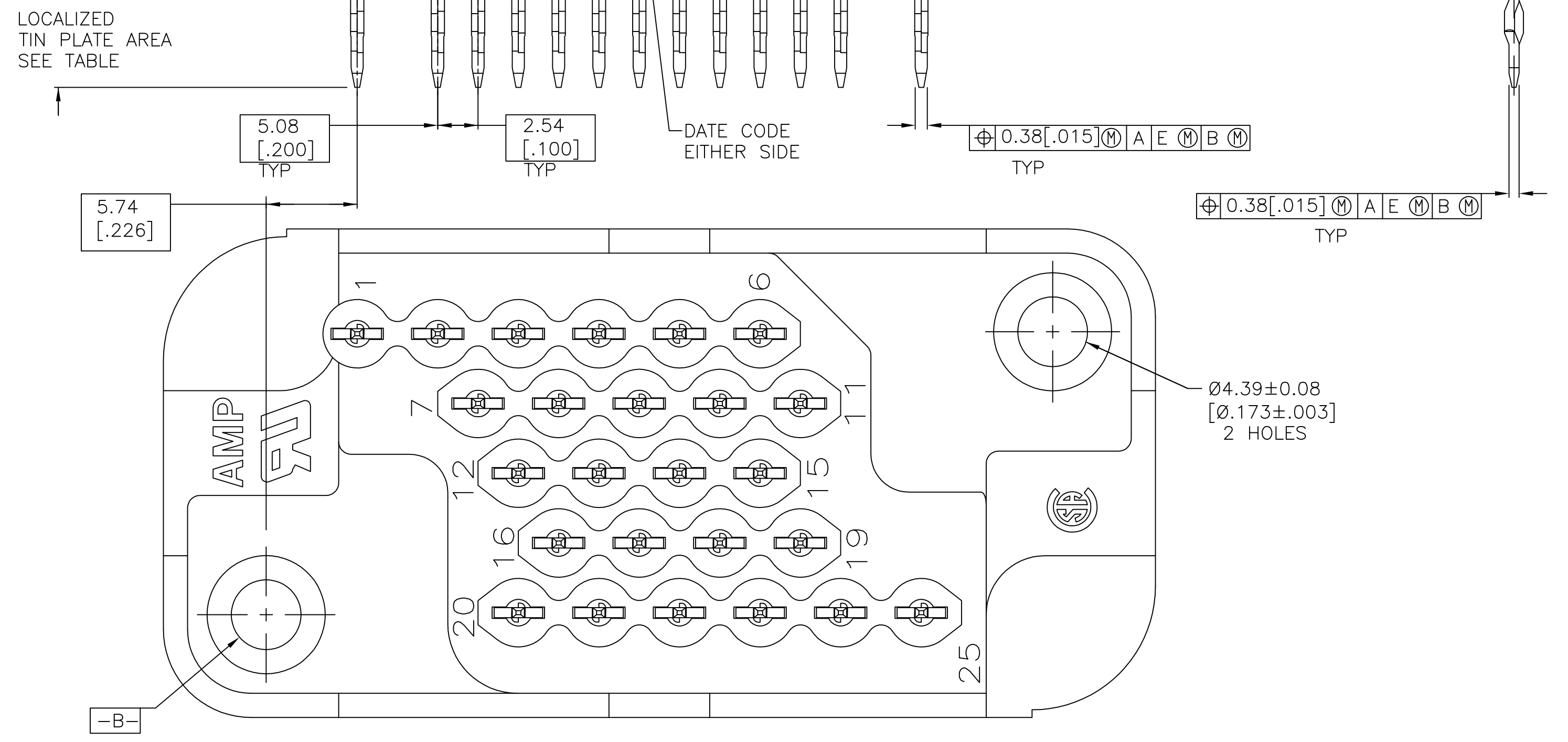
REVISIONS				
P	LTR	DESCRIPTION	DATE	OWN
-	-	SEE SHEET 1	-	-



RECOMMENDED PC BOARD HOLE PATTERN



SECTION Z-Z
COPPER HARDNESS: (KNOOP) 150 MAX
SCALE 50:1
25 PLC



THIS DRAWING IS A CONTROLLED DOCUMENT.		DWG: S.WELDON 26SEP00	TE Connectivity Ltd.
DIMENSIONS: mm [INCHES]		CHK: K.DOWHOWER 26SEP00	
TOLERANCES UNLESS OTHERWISE SPECIFIED:		APPD: K.DOWHOWER 26SEP00	NAME: HEADER ASSEMBLY, 25 POSN, ACTION PIN, METRIMATE
0 PLC	± -	PRODUCT SPEC	APPLICATION SPEC
1 PLC	± -	APPLICATION SPEC	SIZE: A1
2 PLC	± 0.25 [010]	RESTRICTED TO	CAGE CODE: 00779
3 PLC	± -	RESTRICTED TO	DRAWING NO: 796590
4 PLC	± -	RESTRICTED TO	SCALE: 4:1
ANGLES	± -	RESTRICTED TO	SHEET 2 OF 2
MATERIAL	-	RESTRICTED TO	REV J
FINISH	-	RESTRICTED TO	CUSTOMER DRAWING

单击下面可查看定价，库存，交付和生命周期等信息

[>>TE Connectivity\(泰科\)](#)