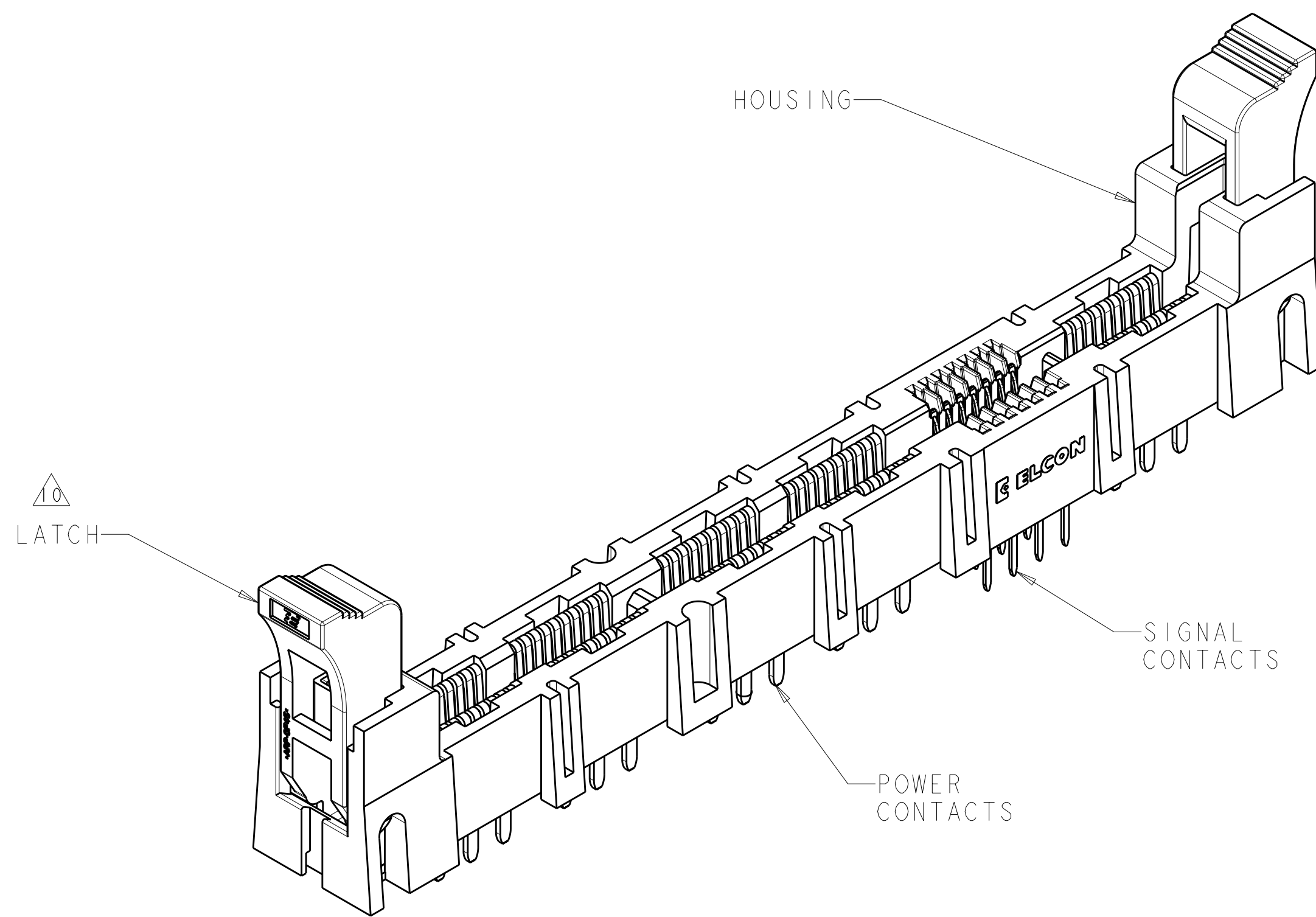


LOC	DIST	REVISIONS			
GP	00	REV	DATE	DWN	APVD
		A	REV PER ECO-09-028456	30DEC2009	RG MS
		B	REV PER ECO-10-006321	30MAR2010	RG MS



ISOMETRIC VIEW 2085296-1  
 SCALE 4:1

1. PART NUMBER CHANGES AND OR DESIGN CHANGES AFFECTING ITEM INTERCHANGEABILITY REQUIRE PRIOR TYCO ELECTRONICS APPROVAL AND AUTHORIZATION BY REVISION TO THIS DRAWING.

2. MATERIAL:  
 HOUSING: GLASS FILLED POLYESTER, COLOR-BLACK  
 UL94 -V0 FLAMMABILITY RATED  
 LATCHES: THERMOPLASTIC, GLASS REINFORCED,  
 COLOR: BLACK, UL94 -V0  
 CONTACTS: COPPER ALLOY

3. FINISH:  
 SIGNAL CONTACTS:  
 1.27µm MIN NICKEL PLATE ALL OVER EXCEPT IN MATING AREA  
 MATING AREA : 0.76µm MIN GOLD OVER 3.81µm MIN NICKEL  
 SOLDER TAILS: 2.0µm MIN TIN OVER NICKEL PLATE  
 POWER CONTACTS:  
 1.27µm MIN NICKEL PLATE ALL OVER  
 MATING AREA: 0.76µm MIN GOLD OVER NICKEL PLATE  
 SOLDER TAILS: 3.05µm MIN TIN OVER NICKEL PLATE

4. ITEMS PROVIDED TO THIS SPECIFICATION TO BE PERMANENTLY IDENTIFIED WITH PART NUMBER AND DATE CODE.

5. MAXIMUM BURR OF 0.013 ON CARD TAB AREA.

6. SET TRACE BACK FROM PC BOARD EDGE. NO SOLDERMASK ALLOWED BETWEEN PC BOARD EDGE AND TRACE.

7. CONNECTOR ACCEPTS 1.57±0.13 THICK PC BOARD.

8. KEEP OUT AREA FOR COMPONENTS ONLY.

9. FEATURE REQUIRED FOR USE WITH EJECTOR.

10. CAUTION:  
 LATCHES ARE INTENDED FOR RETENTION OF PC BOARD TO CONNECTOR. DO NOT ATTEMPT TO FULLY EJECT PC BOARD FROM CONNECTOR WHILE DISENGAGING LATCHES, DAMAGE TO LATCHES AND OR CONNECTOR MAY OCCUR.

11. RECOMMENDED GOLD FINGER LENGTH FOR RELIABLE CONTACT.

12. DATUMS AND BASIC DIMENSIONS ESTABLISHED BY CUSTOMER.

13. APPLY SOLDERMASK TO COVER TRACES ROUTED WITHIN SIGNAL CONTACTS TAIL REGION.

14. RECOMMENDED PRINTED CIRCUIT BOARD HOLE:  
 FINISHED HOLE : Ø1.02±0.05  
 DRILLED HOLE : Ø1.15±0.013  
 COPPER PLATE : 0.025 - 0.050 (PER SURFACE)  
 TIN PLATE : 0.0005 MIN (PER SURFACE)

15. RECOMMENDED PRINTED CIRCUIT BOARD HOLE:  
 FINISHED HOLE : Ø0.56±0.05  
 DRILLED HOLE : Ø0.65±0.018  
 COPPER PLATE : 0.025 - 0.050 (PER SURFACE)  
 TIN PLATE : 0.0005 MIN (PER SURFACE)

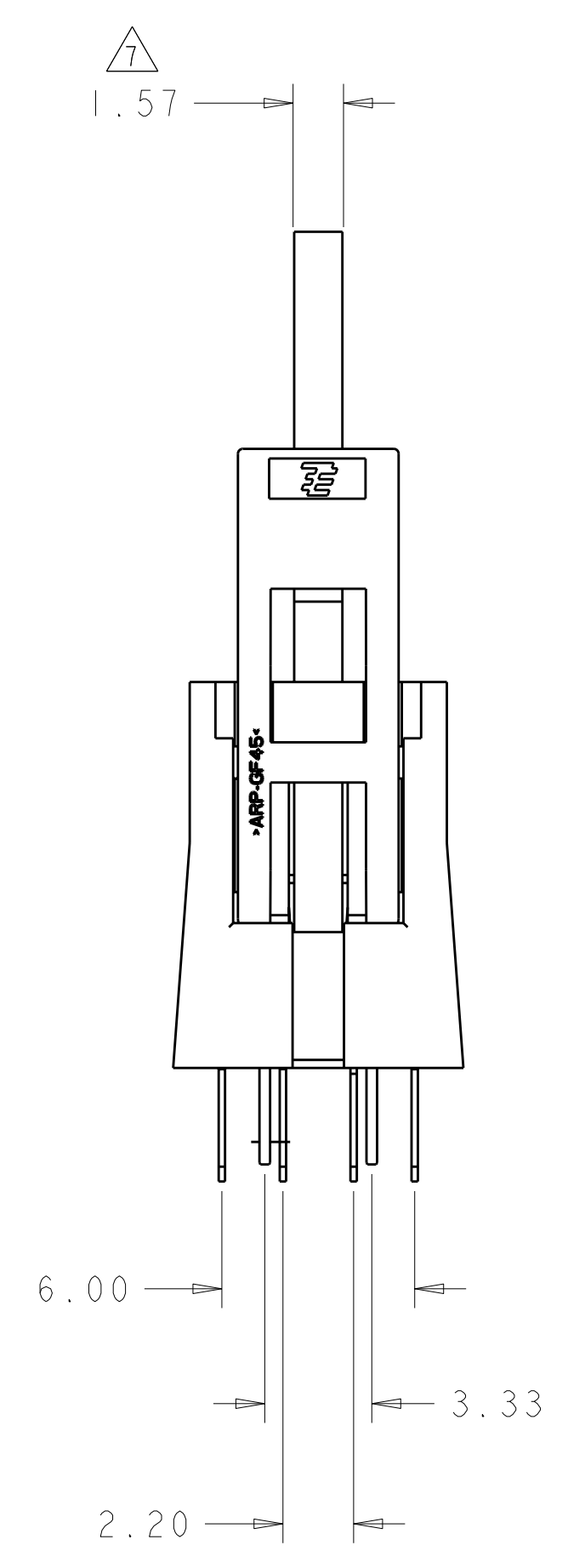
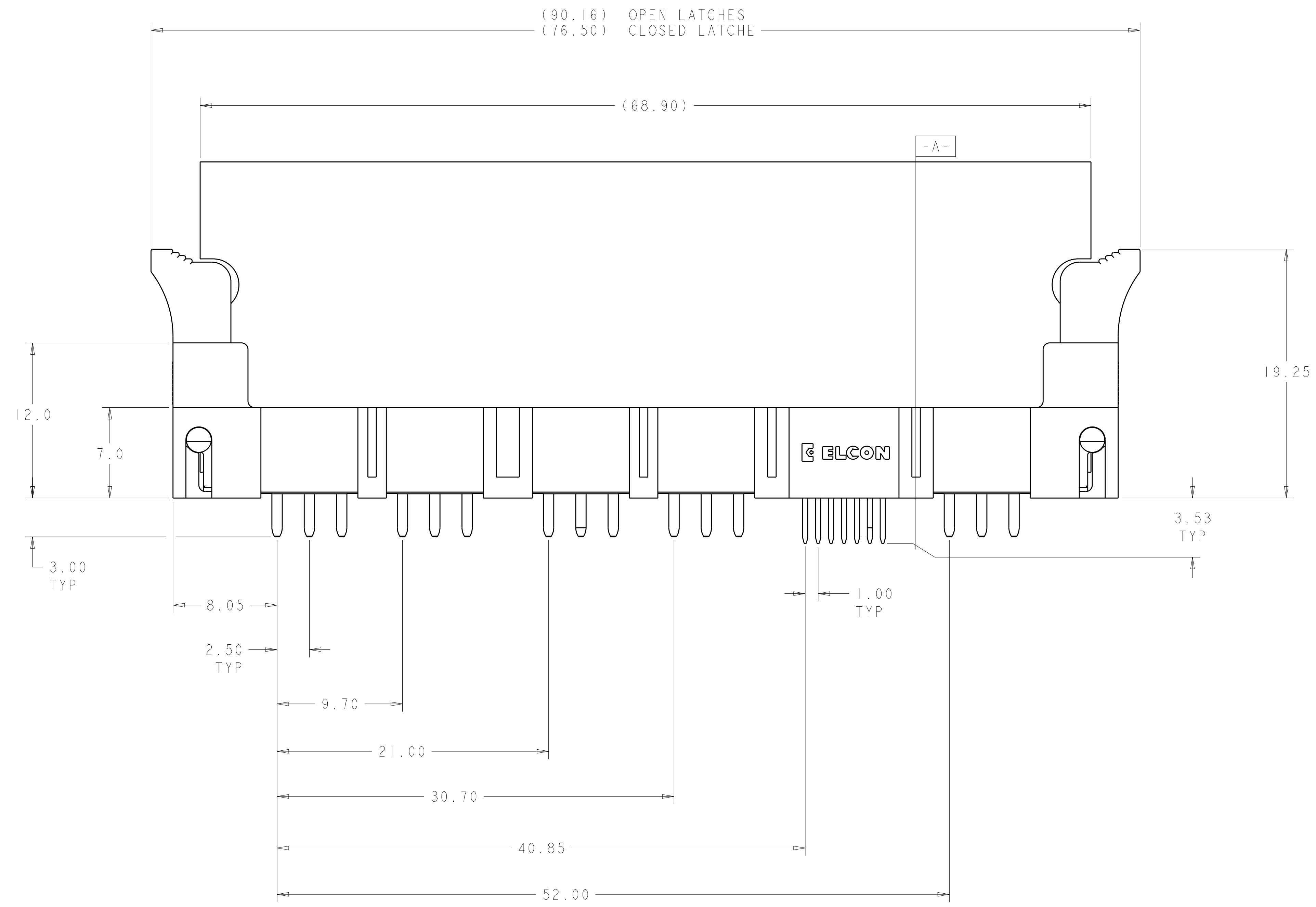
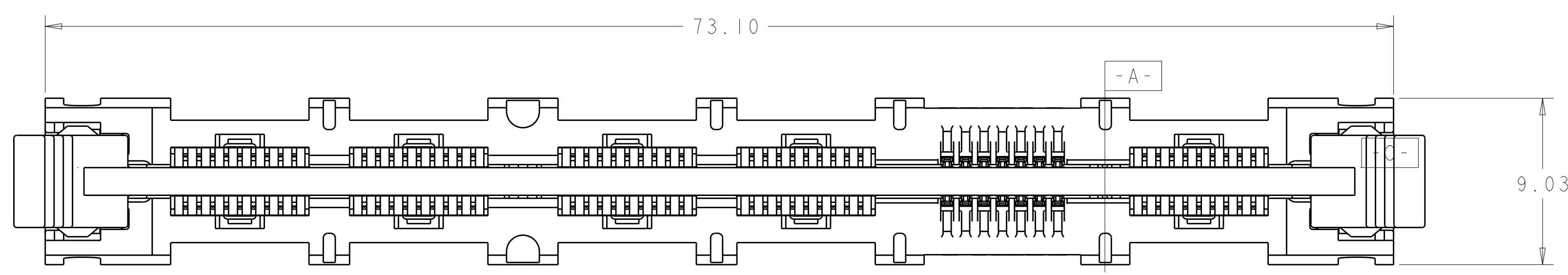
AS SHOWN	2085296-1
DESCRIPTION	PART NUMBER

<small>THIS DRAWING IS UNPUBLISHED. RELEASED FOR PUBLICATION 20</small> <small>© COPYRIGHT 20 BY TYCO ELECTRONICS CORPORATION, ALL RIGHTS RESERVED.</small>		DWN: R. GRZYBOWSKI 16SEPT09 CHK: R. LONDON 16SEPT09 APVD: M. PERCHERKE 16SEPT09	Tyco Electronics Harrisburg, PA 17105-3608
DIMENSIONS: mm 	TOLERANCES UNLESS OTHERWISE SPECIFIED: 0 PLC ±.5 1 PLC ±0.5 2 PLC ±0.25 3 PLC ±.1 4 PLC ±.1 ANGLES ±° FINISH #2	NAME: CONNECTOR, SOCKET WITH LATCH STRAIGHT, SOLDER TAIL MCE-PS57 MINI CROWN EDGE PRODUCT SPEC: - APPLICATION SPEC: - WEIGHT: - CUSTOMER DRAWING	SIZE: A   00779   C=2085296 SCALE: 5:1 SHEET 1 OF 4 REV B

LOC	DIST	REV	DATE	BY	APPD
GP	00				

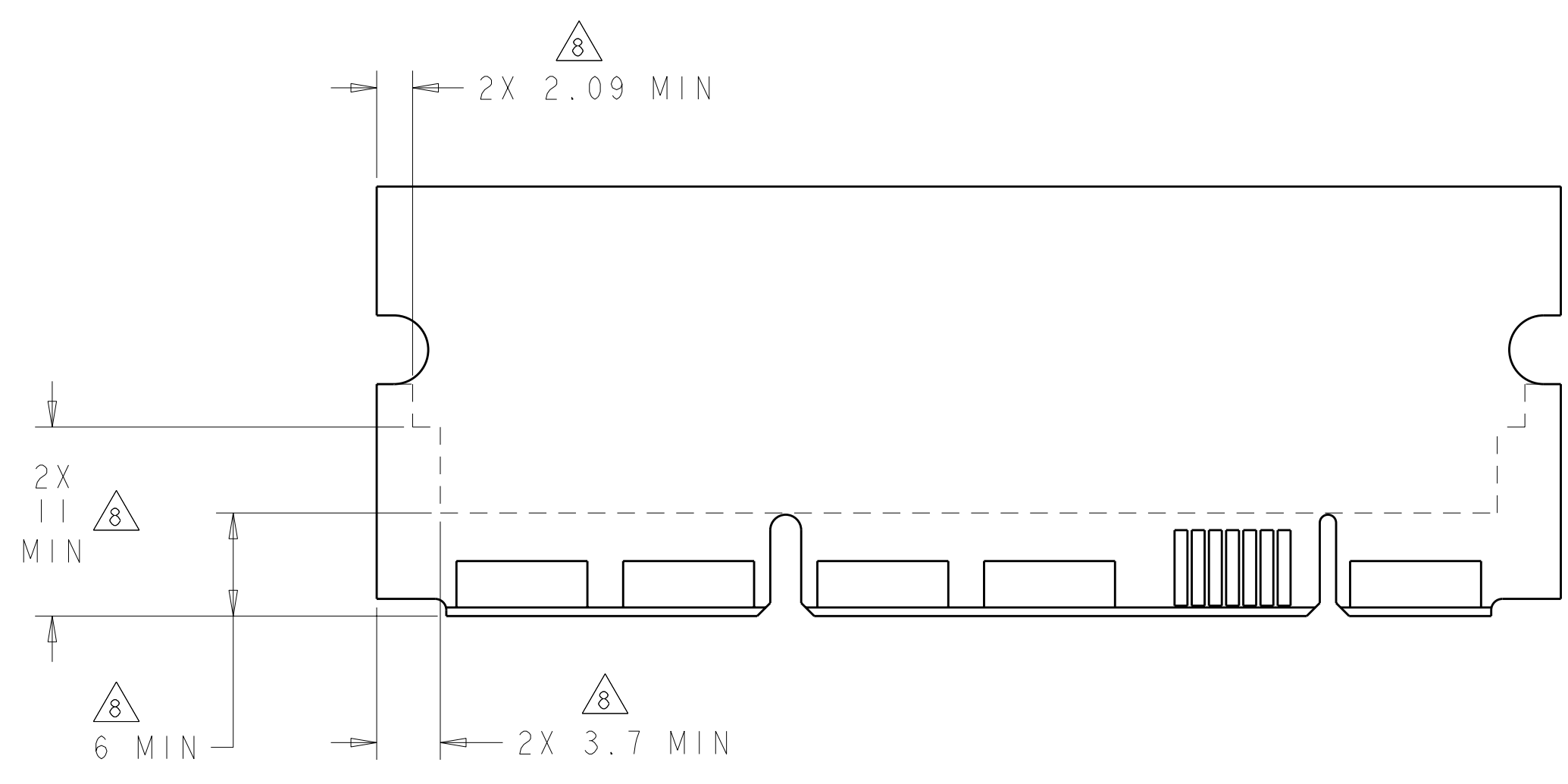
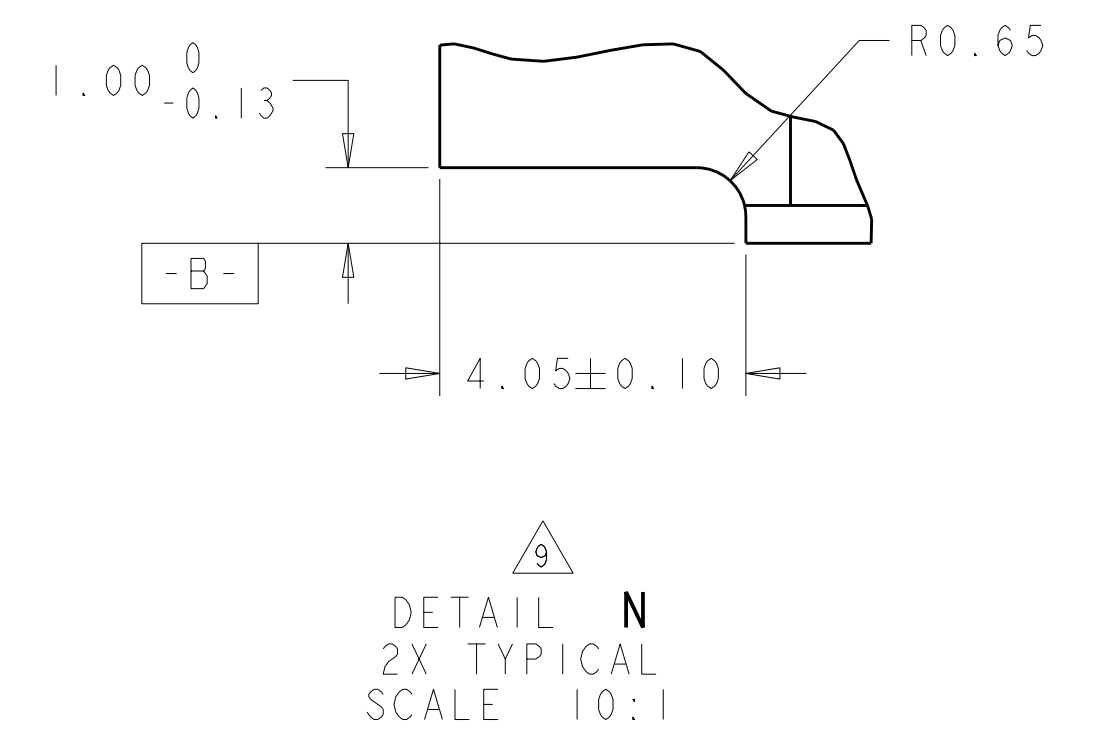
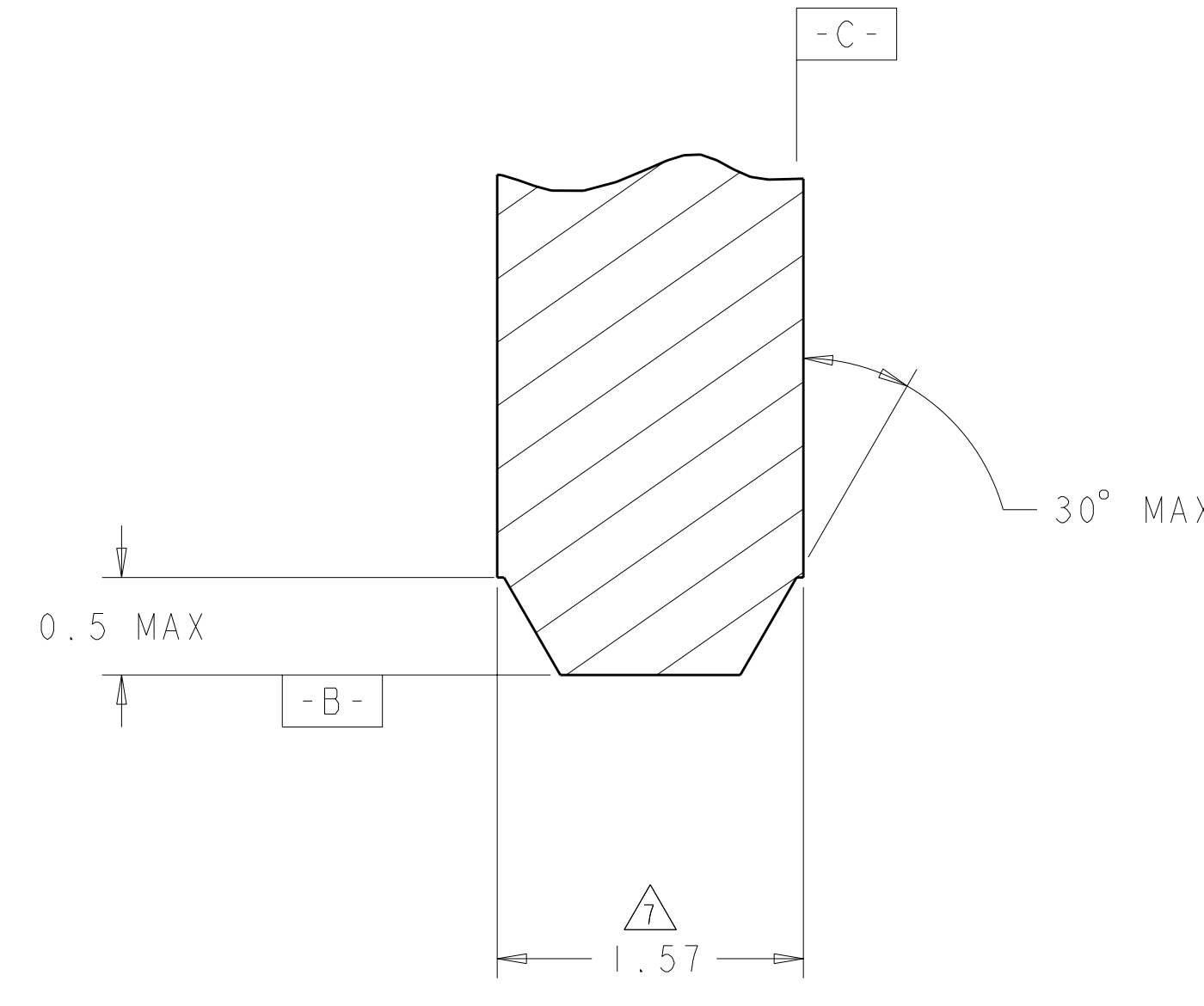
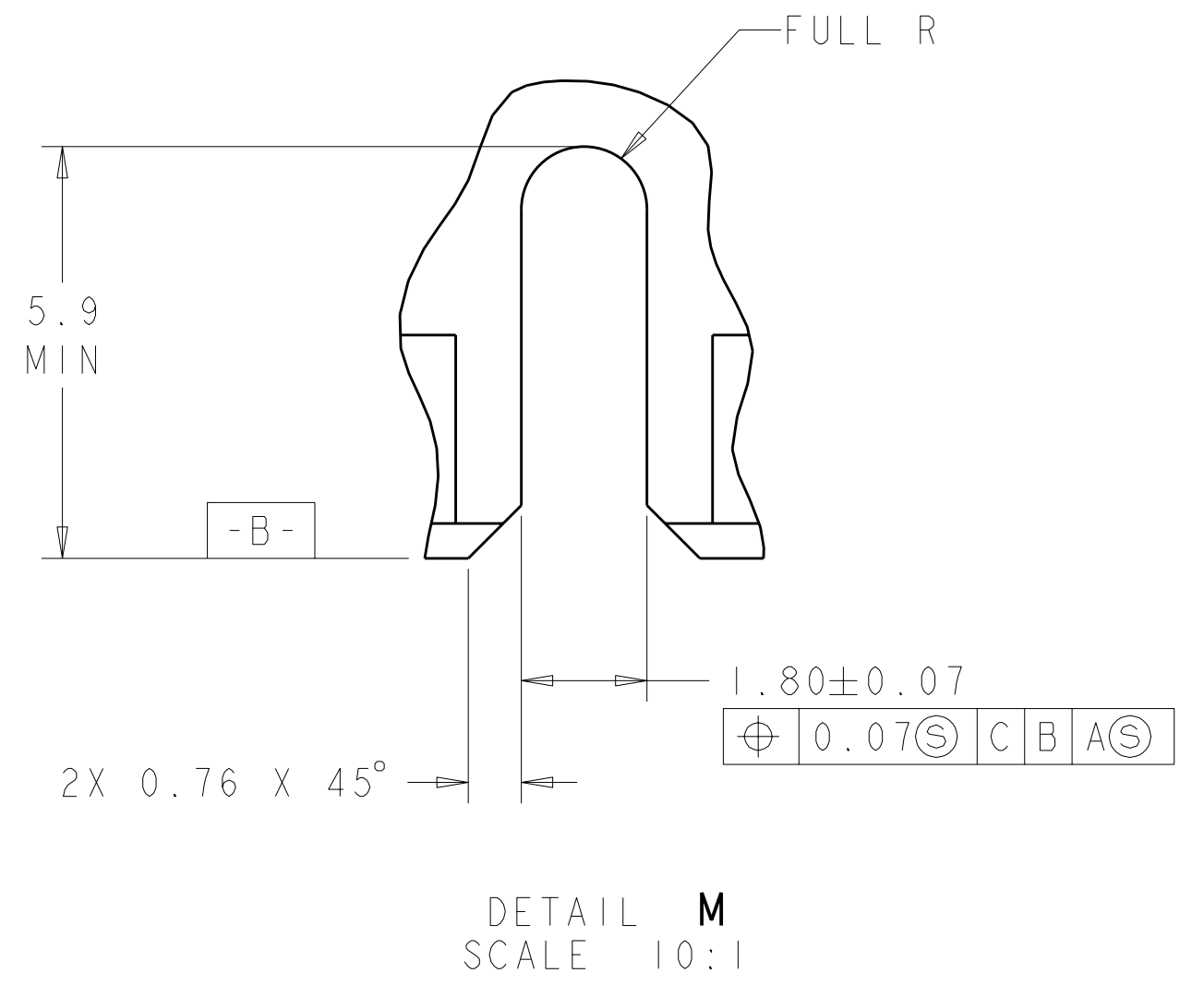
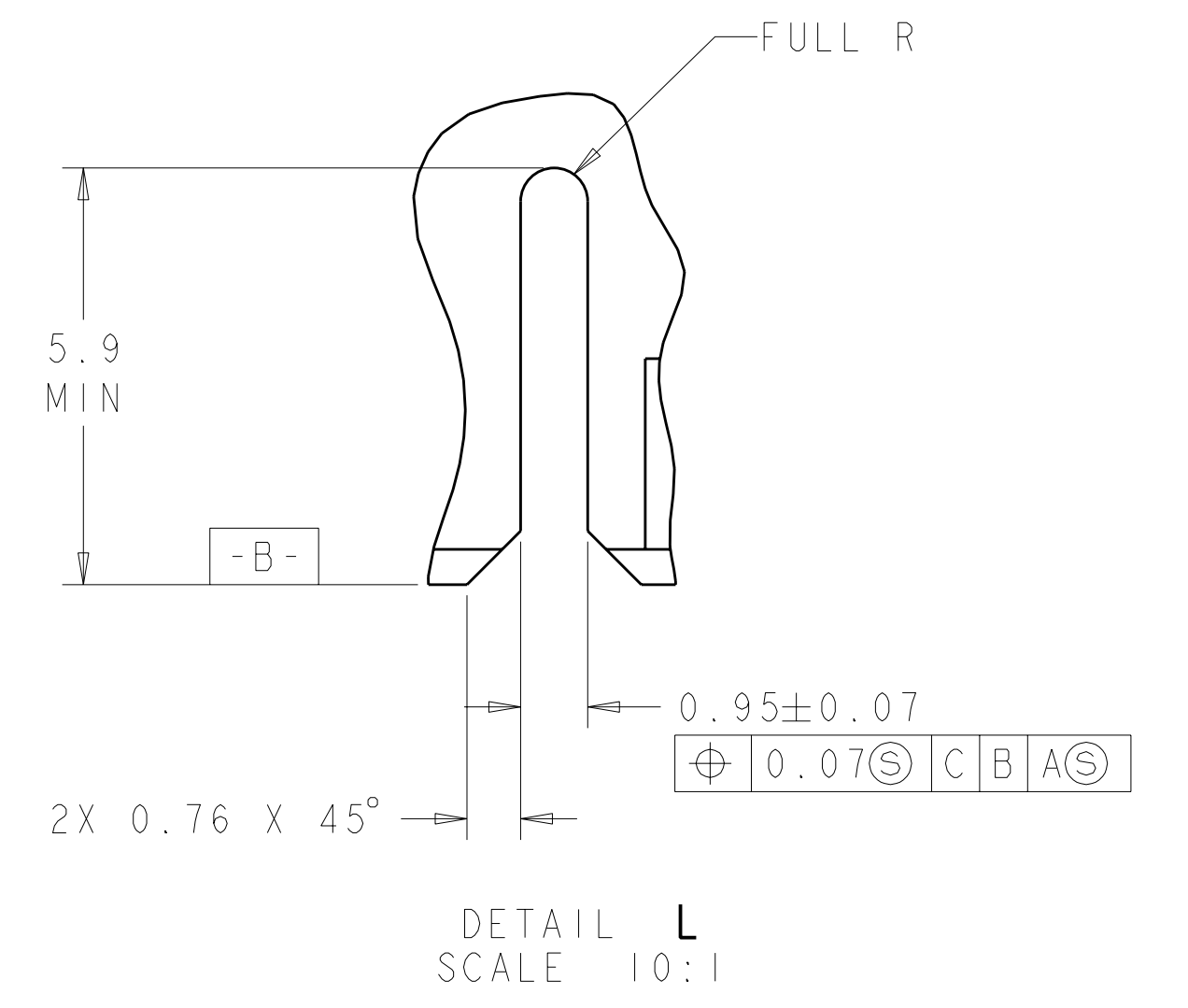
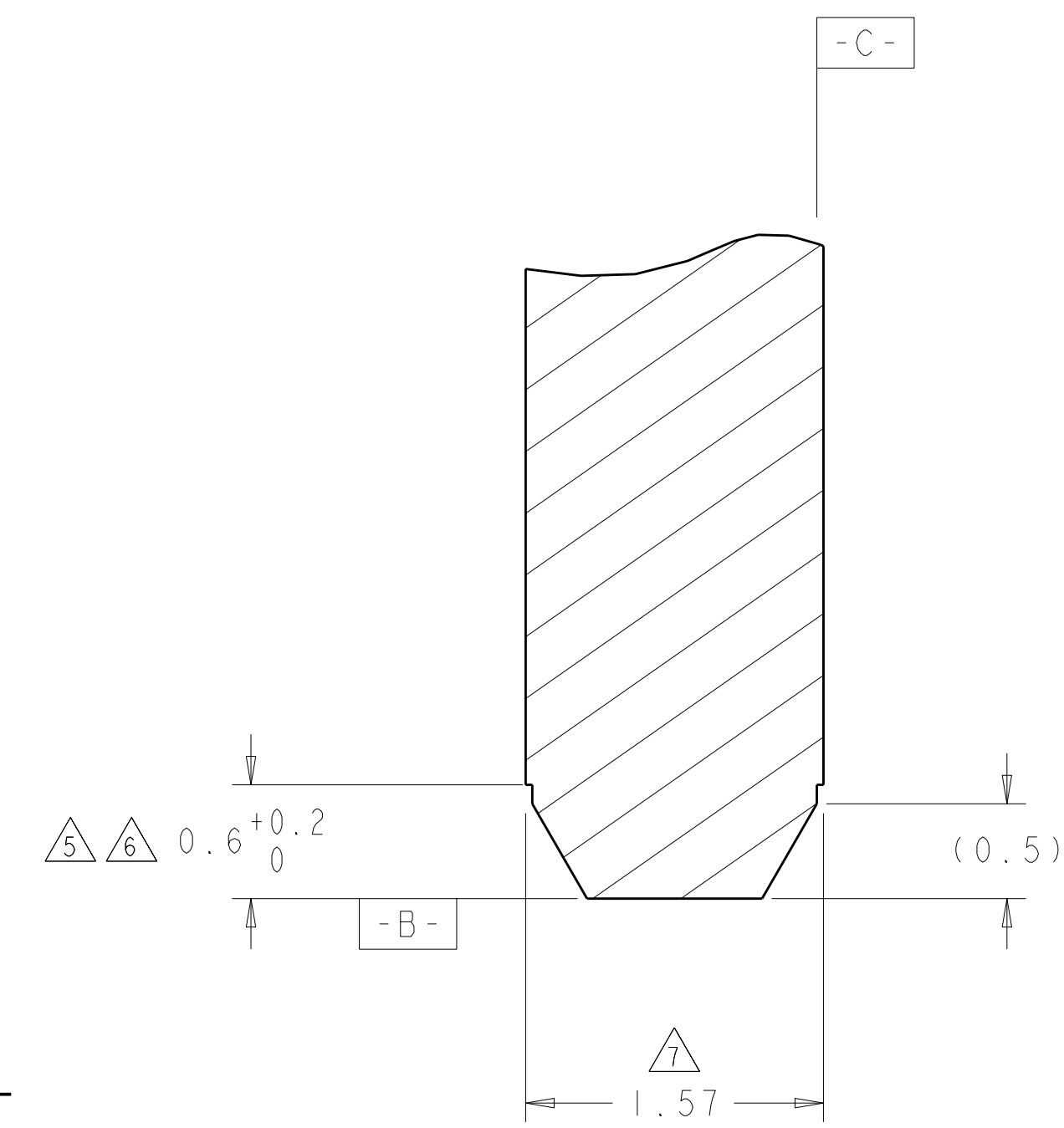
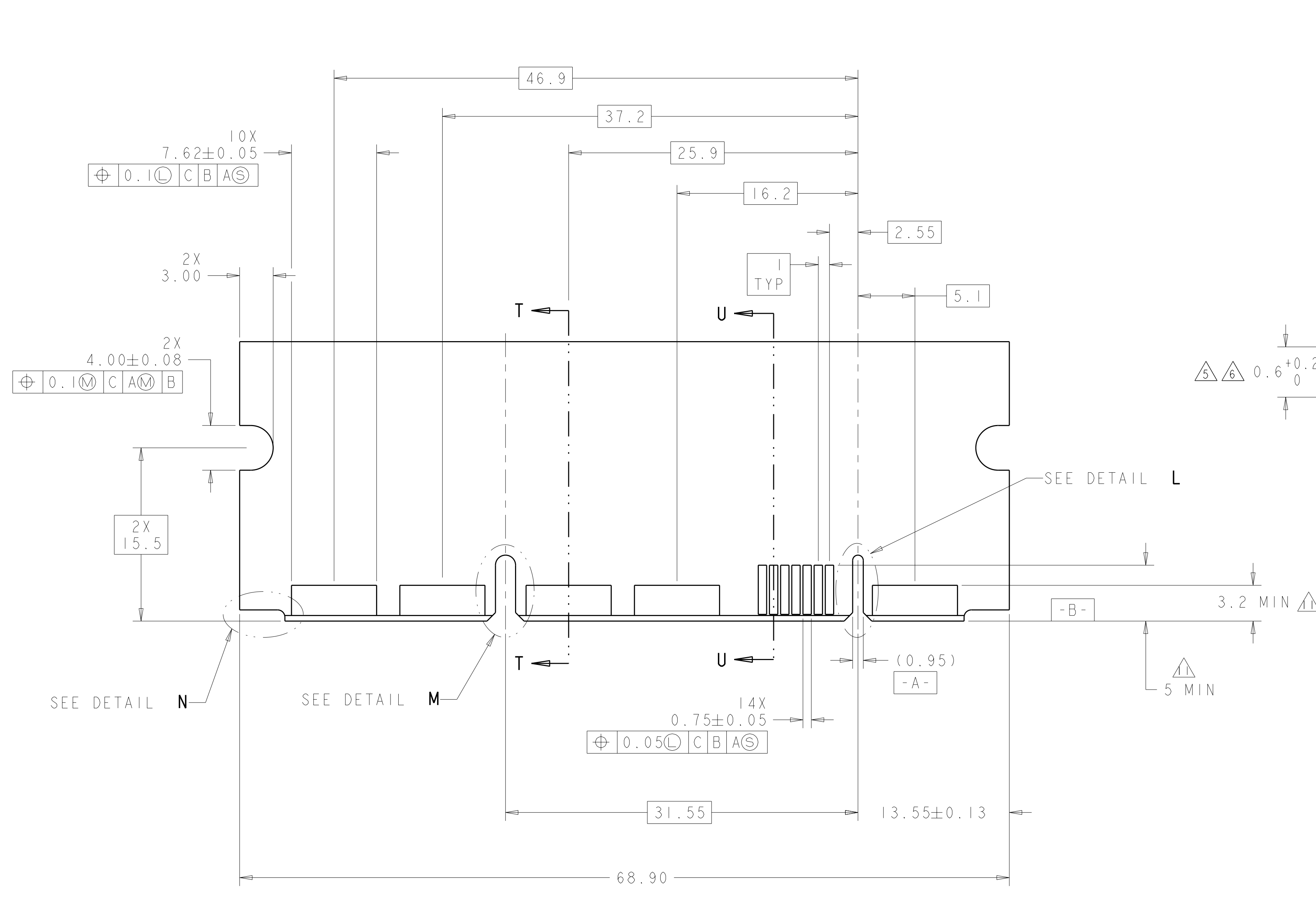
  

REVISIONS					
NO.	DESCRIPTION	DATE	BY	APPD	REV
1	SEE SHEET 1				



DIMENSIONS: mm		TOLERANCES UNLESS OTHERWISE SPECIFIED: 9 PLC ±.5 1 PLC ±0.5 2 PLC ±0.25 3 PLC ±.5 4 PLC ±.5 ANGLES ±.2		DWN R. GRZYBOWSKI 16SEPT09 CHK R. LONDON 16SEPT09 APVD M. PERCHERKE 16SEPT09		Tyco Electronics Harrisburg, PA 17105-3608	
MATERIAL FINISH		WEIGHT CUSTOMER DRAWING		NAME CONNECTOR, SOCKET WITH LATCH STRAIGHT, SOLDER TAIL MCE-PS57 MINI CROWN EDGE		SIZE CAGE CODE DRAWING NO RESTRICTED TO A100779C=2085296	
SCALE 5:1 SHEET 2 OF 4 REV B				DATE: 16SEPT09			

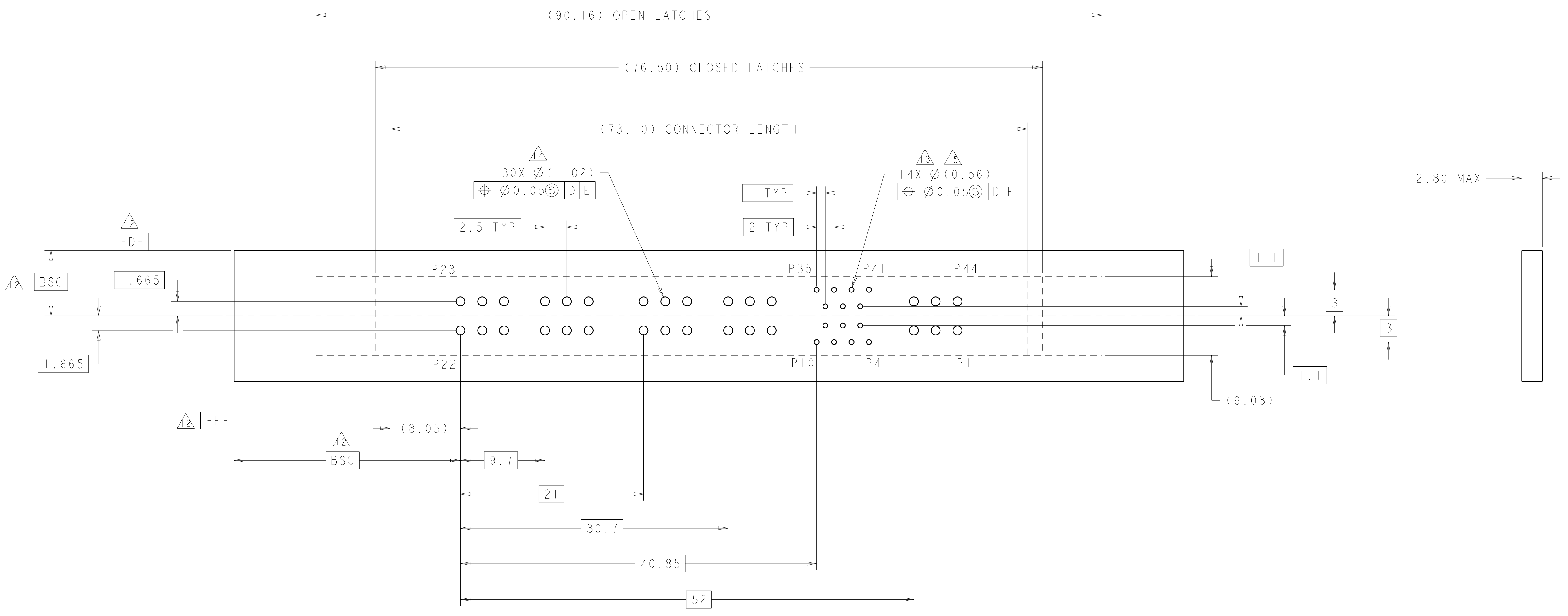
LOC	DIST	REV	DATE	BY	APPD
GP	00				



RECOMMENDED PC BOARD KEEP OUT AREA  
SCALE 3:1

DIMENSIONS: mm 		TOLERANCES UNLESS OTHERWISE SPECIFIED: 9 PLC ±.5 1 PLC ±0.5 5 PLC ±0.25 4 PLC ±.2 ANGLES ±.2		DWN R. GRZYBOWSKI 16SEPT09 CHK R. LONDON 16SEPT09 APVD M. PERCHERKE 16SEPT09 NAME PRODUCT SPEC APPLICATION SPEC WEIGHT FINISH CUSTOMER DRAWING		Tyco Electronics Harrisburg, PA 17105-3608 CONNECTOR, SOCKET WITH LATCH STRAIGHT, SOLDER TAIL MCE-PS57 MINI CROWN EDGE SIZE CAGE CODE DRAWING NO A100779C=2085296 SCALE 5:1 SHEET 3 OF 4 REV B	
-----------------------	--	-------------------------------------------------------------------------------------------------------------	--	------------------------------------------------------------------------------------------------------------------------------------------------------------------------	--	---------------------------------------------------------------------------------------------------------------------------------------------------------------------------------------------------------------------	--

LOC	DIST	REV	DATE	BY	APPD
GP	00				
REVISIONS			DESCRIPTION	DATE	DWN
			SEE SHEET 1		



RECOMMENDED PRINTED CIRCUIT BOARD LAYOUT  
 SCALE 4:1

<small>THIS DRAWING IS UNPUBLISHED. RELEASED FOR PUBLICATION 20. © COPYRIGHT 20 BY TYCO ELECTRONICS CORPORATION. ALL RIGHTS RESERVED.</small>		DWN: R. GRZYBOWSKI 16SEPT09 CHK: R. LONDON 16SEPT09 APVD: M. PERCHERKE 16SEPT09	Tyco Electronics Harrisburg, PA 17105-3608
DIMENSIONS: mm 	TOLERANCES UNLESS OTHERWISE SPECIFIED: 9 PLC ±.5 1 PLC ±0.5 3 PLC ±0.25 5 PLC ±.5 4 PLC ±.5 ANGLES ±.2	NAME: CONNECTOR, SOCKET WITH LATCH STRAIGHT, SOLDER TAIL MCE-PS57 MINI CROWN EDGE PRODUCT SPEC: APPLICATION SPEC: WEIGHT: FINISH:	SIZE: A CAGE CODE: 100779 DRAWING NO: C-2085296 RESTRICTED TO:
MATERIAL:		CUSTOMER DRAWING	SCALE: 5:1 SHEET: 4 OF 4 REV: B

单击下面可查看定价，库存，交付和生命周期等信息

[>>TE Connectivity\(泰科\)](#)