

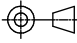


CODE 47 - HEAT SHRINK BOOT BACKSHELL

202M712-19B-D

SERIES _____
 ORDER NUMBER (TABLE 1) _____
 MATERIAL _____
 REFER TO CH00-0250-004
 FINISH _____
 REFER TO CH00-0250-004
 MODIFICATION CODE _____
 REFER TO CH00-0250-004

NOTES:

1. THIS PRODUCT IS DESIGNED TO TERMINATE A HEAT SHRINKABLE LIPPED BOOT TO A CONNECTOR.
2. FOR ADDITIONAL DIMENSIONS, ORDERING INFORMATION AND MODIFICATIONS, SEE CH00-0250-004.
3. BACKSHELL TO BE PERMANENTLY MARKED/BAGGED AND LABELLED WITH CODE IDENTIFICATION NUMBER AND PART NUMBER. (e.g. 06090-202M712-19B).
4. KNURL INSIDE BOOT GROOVE MAY BE SUPPLIED AT MANUFACTURER'S OPTION.
- ⑤ BACKSHELL MATES TO BENDIX SJT COMMERCIAL SERIES CONNECTOR.

DRAWN	W.RUST	DATE 14/09/2015	 3RD ANGLE PROJECTION NOT TO SCALE	TITLE:	HEAT SHRINK BOOT BACKSHELL	 Polanco 
CHECKED		14/09/2015				
APPROVED	K.SHEPPARD	09/10/2015		<small>UNLESS OTHERWISE SPECIFIED ALL DIMENSIONS IN MILLIMETRES</small> GENERAL TOL LINEAR +/-0.25MM ANGULAR +/- 1°		
APPROVED	H.SMITH	26/10/2015				
REVISIONS						
LTR	DESCRIPTION	DATE	APPROVED			
C	REVISED PER ECN AD93096					
D	REVISED PER ECO-15-015326	26/10/2015	H.SMITH			
TE CAGE CODE: 06090 POLAMCO/TE CAGE CODE: U5792				<small>TE CONNECTIVITY - POLAMCO LTD RESERVES THE RIGHT TO AMEND THIS DRAWING AND THE INFORMATION THEREON SHOULD IT BE NECESSARY IN THEIR APPLICATION.</small>		DRAWING NO: 202M7XX
				DRAWING REV: D		SHT 1

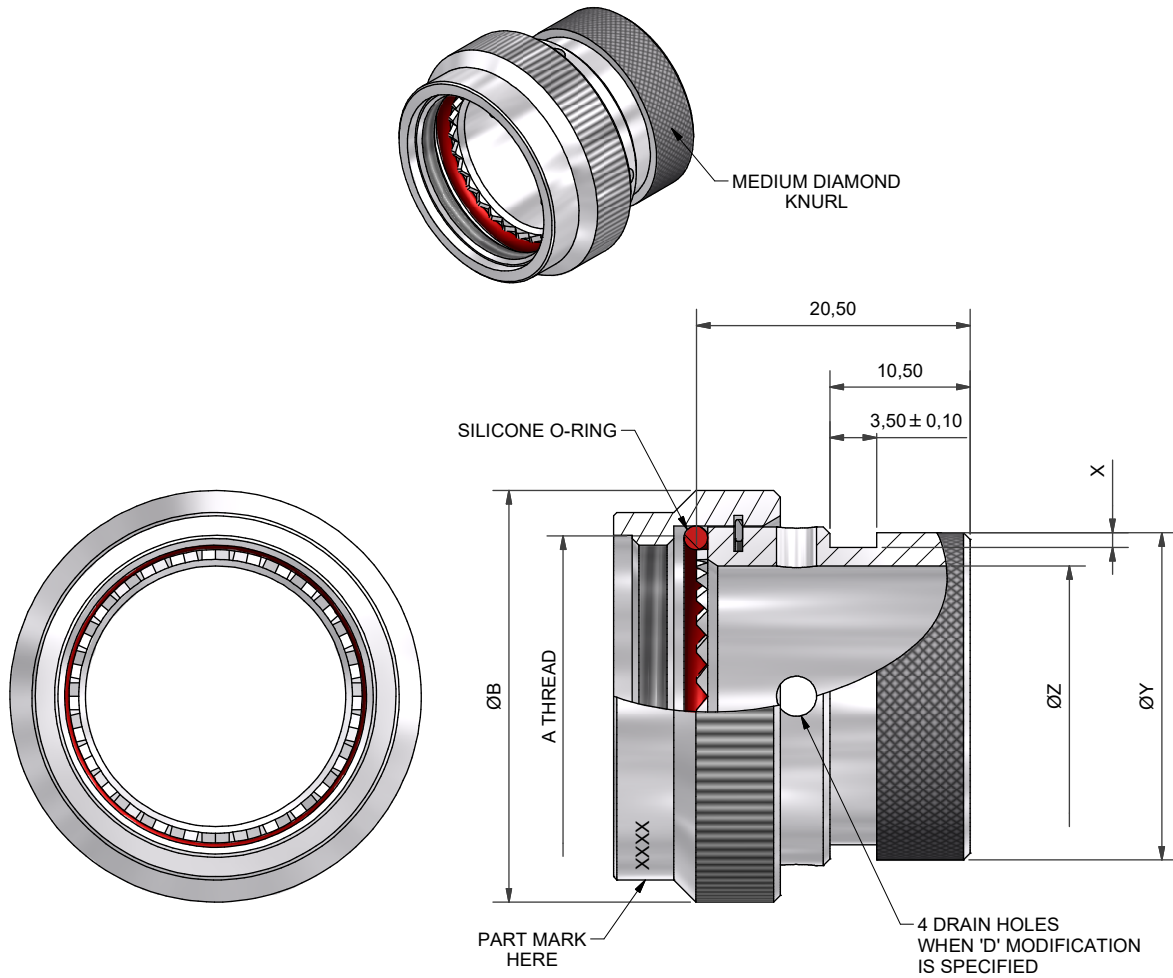


TABLE 1

BASE PART NUMBER	SHELL SIZE		A THREAD	ØB MAX	X +0,20/-0,00	ØY +0,00/-0,50	ØZ MIN
	SJT*00 SJT*06	SJT07R1 ONLY					
202M708	8		7/16-28UNEF	18,0	1,12	13,50	6,10
202M710	10	8	9/16-24UNEF	21,0	1,12	15,40	9,02
202M712	12	10	11/16-24UNEF	24,5	1,12	19,70	12,45
202M714	14	12	13/16-20UNEF	27,8	1,12	21,30	14,86
202M716	16	14	15/16-20UNEF	30,8	1,12	24,50	18,03
202M718	18	16	1 1/16-18UNEF	34,1	1,12	26,50	20,04
202M720	20	18	1 3/16-18UNEF	38,0	1,75	31,00	23,22
202M722	22	20	1 5/16-18UNEF	41,0	1,75	34,40	26,39
202M724	24	24	1 7/16-18UNEF	43,7	1,75	36,60	29,31

DRAWN	W.RUST	DATE	14/09/2015	 3RD ANGLE PROJECTION NOT TO SCALE UNLESS OTHERWISE SPECIFIED ALL DIMENSIONS IN MILLIMETRES GENERAL TOL LINEAR +/-0,25MM ANGULAR +/- 1°
CHECKED		DATE	14/09/2015	
APPROVED	K.SHEPPARD	DATE	09/10/2015	
APPROVED	H.SMITH	DATE	26/10/2015	

TITLE:			
HEAT SHRINK BOOT BACKSHELL			
ASSY USED ON:			
BENDIX SJT COMMERCIAL SERIES CONNECTOR			



REVISIONS			
LTR	DESCRIPTION	DATE	APPROVED
C	REVISED PER ECN AD93096		
D	REVISED PER ECO-15-015326	26/10/2015	H.SMITH

单击下面可查看定价，库存，交付和生命周期等信息

[>>TE Connectivity\(泰科\)](#)