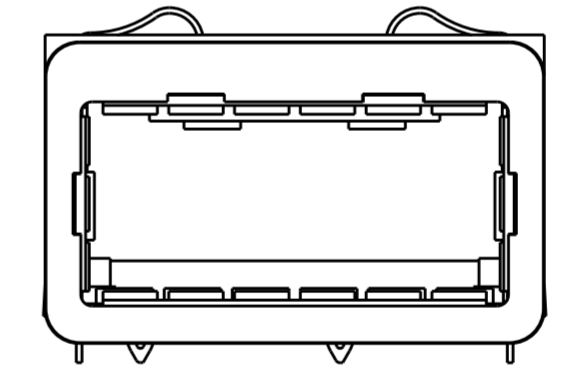
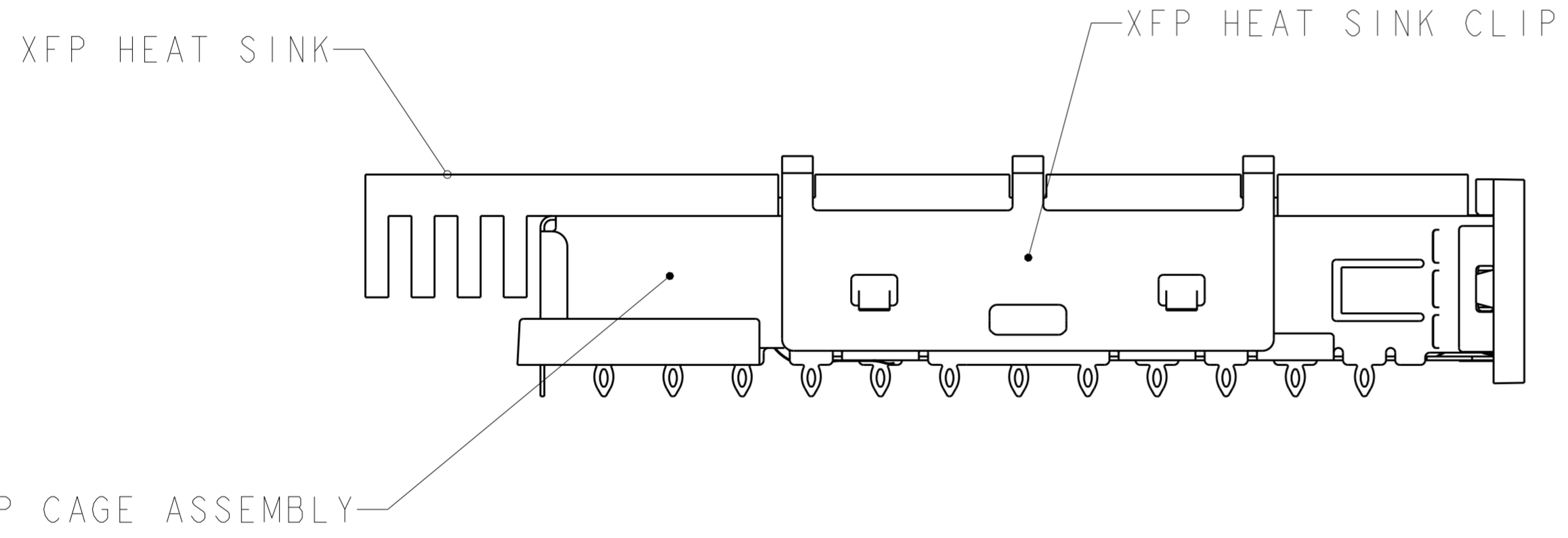
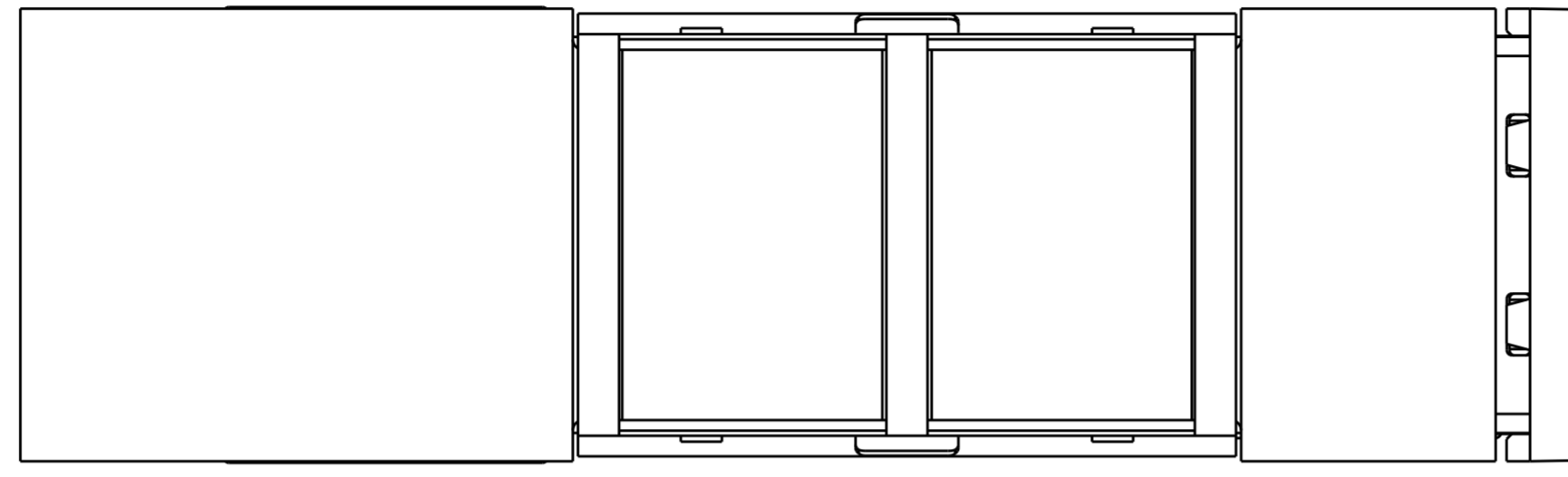


THIS DRAWING IS UNPUBLISHED. RELEASED FOR PUBLICATION 20  
 © COPYRIGHT 20 BY - ALL RIGHTS RESERVED.

| LOC | DIST | REVISIONS |     |                 |           |     |      |
|-----|------|-----------|-----|-----------------|-----------|-----|------|
| GP  | 00   | P         | LTR | DESCRIPTION     | DATE      | DWN | APVD |
|     |      | A         |     | MASS PRODUCTION | 04NOV2016 | PP  | SH   |
|     |      |           |     |                 |           |     |      |
|     |      |           |     |                 |           |     |      |

1. MATES WITH XFP MSA COMPLIANT TRANSCEIVERS.
2. SEE COMPONENT DRAWINGS FOR COMPONENT DIMENSIONS AND INFORMATION.



|                         |                              |                     |                |
|-------------------------|------------------------------|---------------------|----------------|
| 2170043-1               | 1489948-2                    | 1489951-3           | 2170044-1      |
| HEATSINK<br>PART NUMBER | HEATSINK CLIP<br>PART NUMBER | CAGE<br>PART NUMBER | PART<br>NUMBER |

|                                        |  |                                    |                            |                |
|----------------------------------------|--|------------------------------------|----------------------------|----------------|
| THIS DRAWING IS A CONTROLLED DOCUMENT. |  | DWN<br>KINSEN SUN<br>17 JAN 2011   | <b>STE</b> TE Connectivity |                |
| DIMENSIONS:<br>mm                      |  | CHK<br>MANQIAN WANG<br>17 JAN 2011 |                            |                |
| TOLERANCES UNLESS OTHERWISE SPECIFIED: |  | APVD<br>JINHUA CHEN<br>17 JAN 2011 | NAME<br>XFP KIT ASSEMBLY   |                |
| 0 PLC ±                                |  | PRODUCT SPEC                       | -                          |                |
| 1 PLC ±                                |  | APPLICATION SPEC                   | -                          |                |
| 2 PLC ±                                |  | 108-2127                           | -                          |                |
| 3 PLC ±                                |  | 114-13096                          | -                          |                |
| 4 PLC ±                                |  | WEIGHT                             | -                          |                |
| ANGLES ±                               |  |                                    | -                          |                |
| FINISH                                 |  |                                    | -                          |                |
| MATERIAL                               |  |                                    | -                          |                |
|                                        |  | CUSTOMER DRAWING                   | SCALE                      | SHEET OF REV A |

单击下面可查看定价，库存，交付和生命周期等信息

[>>TE Connectivity\(泰科\)](#)