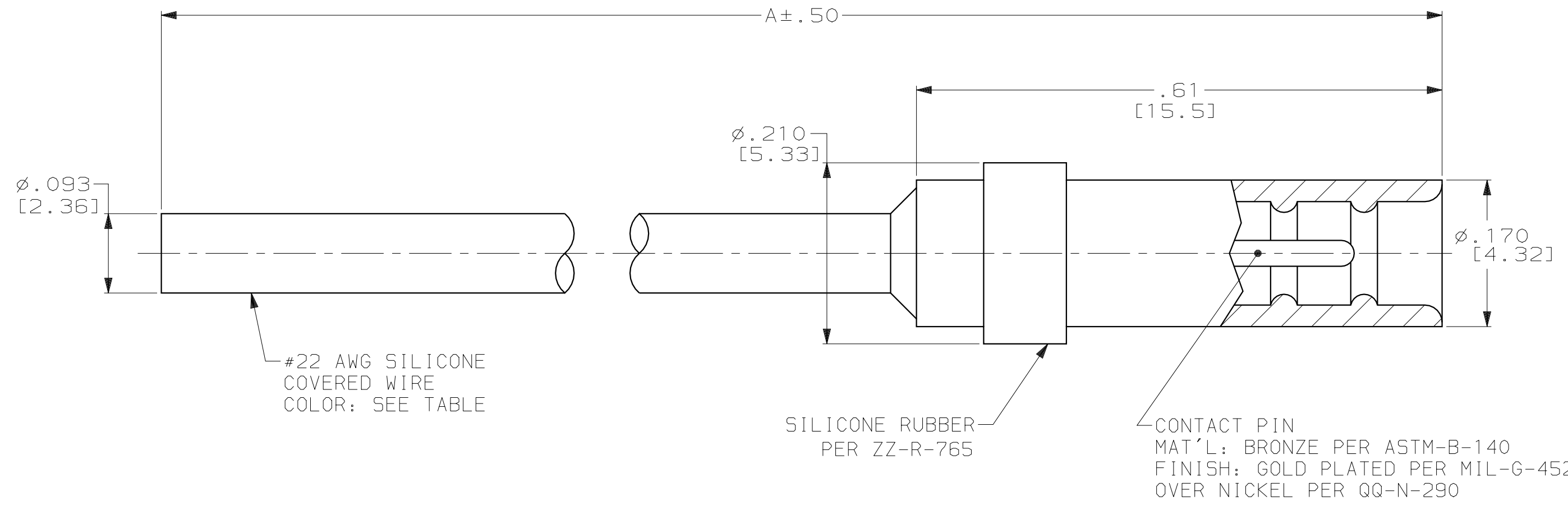


THIS DRAWING IS UNPUBLISHED. RELEASED FOR PUBLICATION ,19 .
 © COPYRIGHT 19 BY AMP INCORPORATED. ALL RIGHTS RESERVED.

LOC	DIST	REVISIONS			
P	LTR	DESCRIPTION	DATE	DWN	APVD
DF	SO				
	E	REV PER 0H14-0659-04	10-13-04	CT	DE



WHITE	40.00 [1016.0]	867824-4
WHITE	6.00 [152.4]	867824-3
GREEN	24.00 [609.6]	867824-2
WHITE	24.00 [609.6]	867824-1
WIRE COLOR	DIM A	PART NO.

1. MARKED PER MIL-STD-130.
2. THIS PRODUCT IS RATED TO 125°C.

THIS DRAWING IS A CONTROLLED DOCUMENT.		DWN C.C. THOMAS 4-22-96	AMP AMP Incorporated Harrisburg, PA 17105-3608
DIMENSIONS: INCHES [mm]		CHK D.EABY 4-23-96	
TOLERANCES UNLESS OTHERWISE SPECIFIED:		APVD D.EABY 4-23-96	NAME RECPT, MICRO-MIN, SINGLE LINE, LGH
0 PLC ±- 1 PLC ±- 2 PLC ±.03 [0.8] 3 PLC ±.015 [0.38] 4 PLC ±- ANGLES ±-		PRODUCT SPEC -	SIZE A3
MATERIAL -		APPLICATION SPEC -	CAGE CODE 00779
FINISH -		WEIGHT -	DRAWING NO C-867824
CUSTOMER DRAWING			SCALE 8:1 SHEET 1 OF 1 REV E

单击下面可查看定价，库存，交付和生命周期等信息

[>>TE Connectivity\(泰科\)](#)