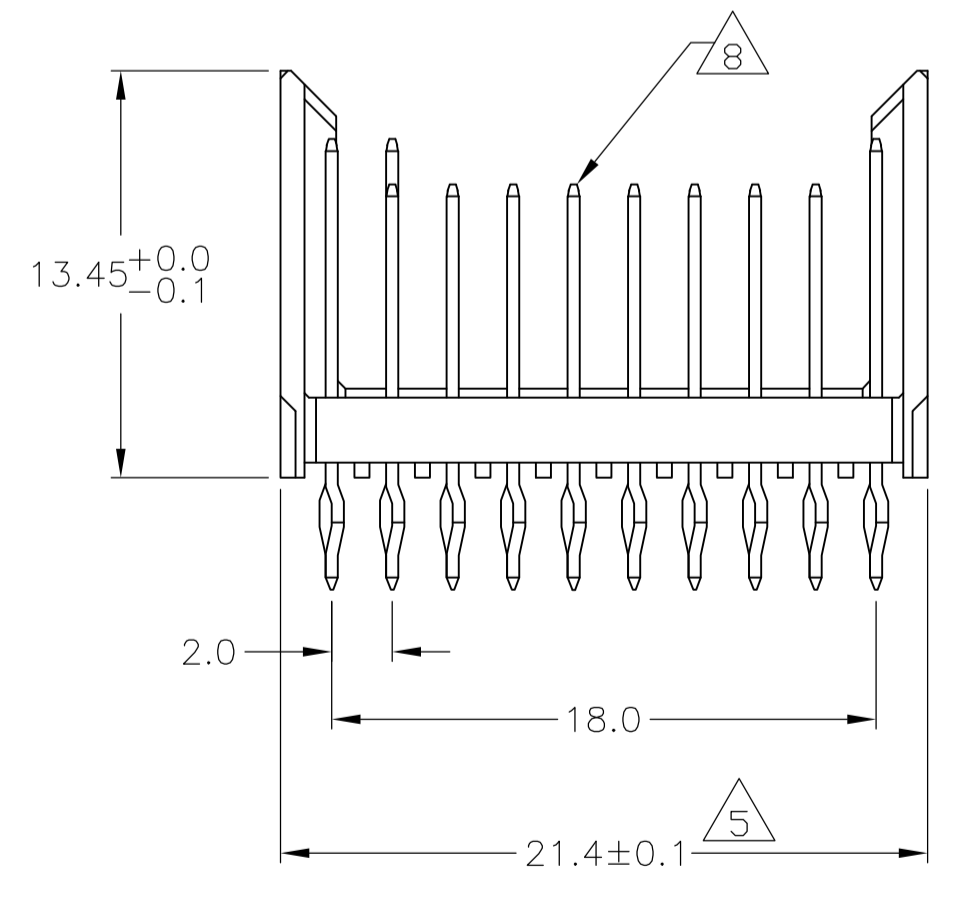
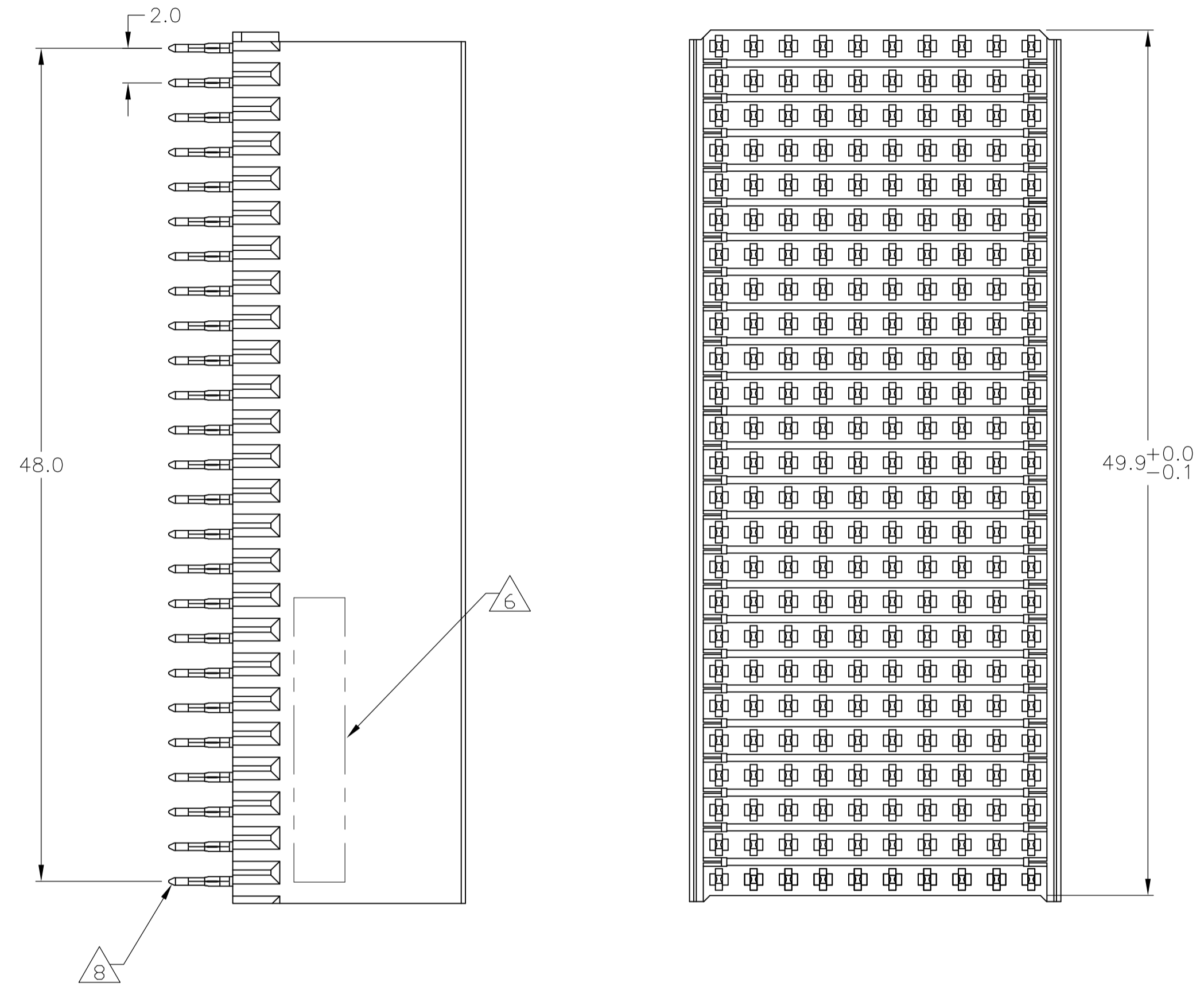
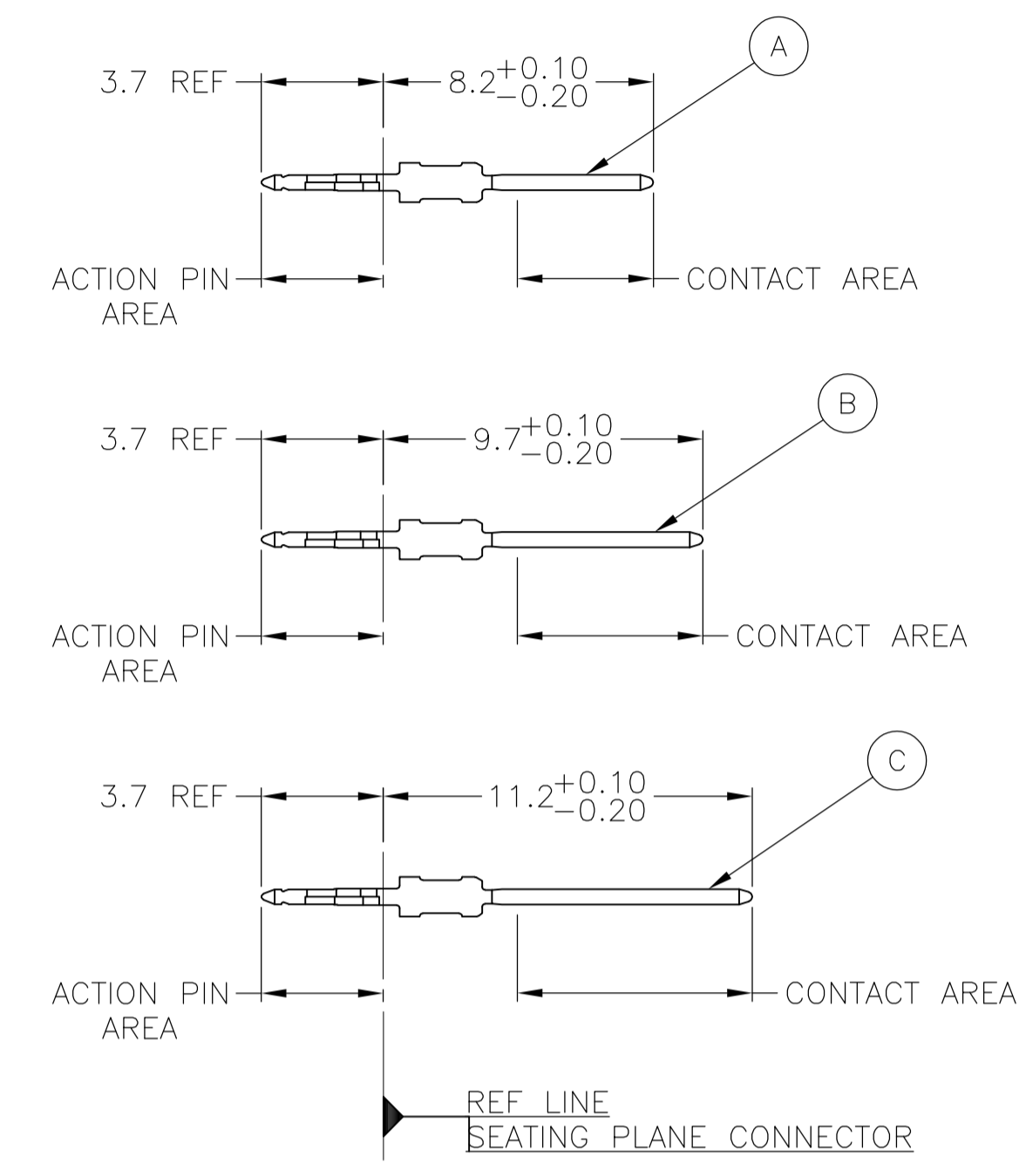


CONNECTOR ASSEMBLY EXAMPLARY LOADED 4



CONTACT DIMENSIONS SCALE 5:1

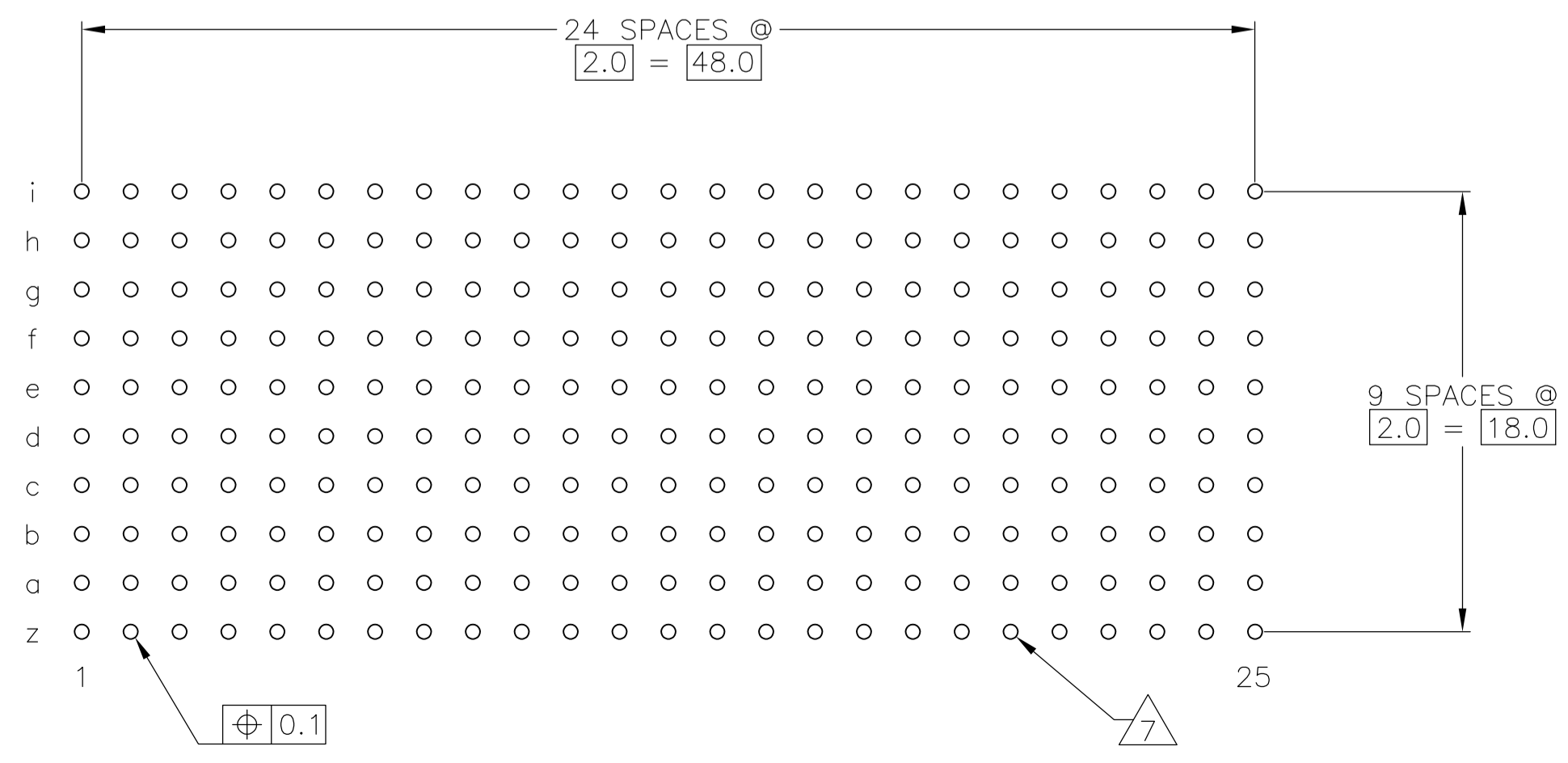


CONTACT LAYOUT

	z	a	b	c	d	e	f	g	h	i
1	C	B	B	B	B	B	B	B	B	C
2	C	B	B	B	B	B	B	B	B	C
3	C	B	B	B	B	B	B	B	B	C
4	C	C	B	B	B	B	B	B	B	C
5	C	B	B	B	B	B	B	B	B	C
6	C	B	B	B	B	B	B	B	B	C
7	C	B	B	B	B	B	B	B	B	C
8	C	C	B	B	B	B	B	B	B	C
9	C	B	B	B	B	B	B	B	B	C
10	C	B	B	B	B	B	B	B	B	C
11	C	A	B	B	B	B	B	B	B	C
12	C	C	B	B	B	B	B	B	B	C
13	C	B	B	B	B	B	B	B	B	C
14	C	B	B	B	B	B	B	B	B	C
15	C	A	B	B	B	B	B	B	B	C
16	C	C	B	B	B	B	B	B	B	C
17	C	B	B	B	B	B	B	B	B	C
18	C	B	B	B	B	B	B	B	B	C
19	C	B	B	B	B	B	B	B	B	C
20	C	B	B	B	B	B	B	B	B	C
21	C	B	B	B	B	B	B	B	B	C
22	C	B	B	B	B	B	B	B	B	C
23	C	B	B	B	B	B	B	B	B	C
24	C	B	B	B	B	B	B	B	B	C
25	C	B	B	B	B	B	B	B	B	C

RECOMMENDED PCB-HOLE LAYOUT COMPONENT SIDE SHOWN


PLATED THRU HOLES PARAMETERS REFERENCE APPLICATION SPECIFICATION



THIS DRAWING IS A CONTROLLED DOCUMENT.		DIN MAN_YI 15MAY2012		6645343-1	
DIMENSIONS: mm		CHK SANDERS_YAN 15MAY2012		FINISH	
TOLERANCES UNLESS OTHERWISE SPECIFIED:		APVD ALEX_CAL 15MAY2012		PART NUMBER	
0-PLC ±		NAME		MALE ASSEMBLY, Z-PACK 2mm HM, TYPE E, 250 POSITION	
1-PLC ±0.1		PRODUCT SPEC		108-19082	
2-PLC ±		APPLICATION SPEC		114-19029	
3-PLC ±		SIZE		A1	
4-PLC ±		CAGE CODE		00779	
ANGLES ±		DRAWING NO		6645343	
MATERIAL		WEIGHT		CUSTOMER DRAWING	
FINISH SEE TABLE		SCALE		4:1	
		SHEET		1 OF 2	
		REV		B	

LOC		DIST		REVISIONS				
P	LTR	DESCRIPTION	DATE	DN	APVD			
-	-	SEE SHEET 1	-	-	-	-	-	

- 1 MATERIAL:
CONTACT: COPPER ALLOY.
HOUSING: GLASS-FILLED POLYESTER.
- 2 GENERAL PLATING SPECIFICATION: UNDERPLATING
(ENTIRE CONTACT): 1.27µm MIN NICKEL AND ACTION
PIN: 0.5µm MIN TIN.
FOR PLATING OF MATING SURFACES SEE APPLICABLE
SPECIFICATION REFERENCE FOR EACH DASH NUMBER.
- 3 CONFORMS TO ALL TESTING ACCORDING TO IEC 61076-4-101
PERFORMANCE LEVEL 2.
- 4 FOR ACTUAL PIN LOADING, SEE "CONTACT LAYOUT"
- 5 TO BE MEASURED AT BOTTOM OF SHROUD.
- 6 CONNECTOR MARKED WITH PART NUMBER AND DATE CODE.
ADDITIONAL CHARACTERS OR MARKINGS, AS WELL AS THE LOCATION OF THE MARKINGS,
MAY BE ADDED FOR TRACEABILITY BASED UPON MANUFACTURERS DISCRETION.
- 7 PLATED-THROUGH HOLES AT 2x2mm SQUARE GRID
PATTERN DEFINED BY CONTACT LAYOUT.
- 8 FOR ACTUAL PIN DIMENSIONS SEE "CONTACT DIMENSIONS".

THIS DRAWING IS A CONTROLLED DOCUMENT.		DIN MAN. YI 15MAY2012		 TE Connectivity	
DIMENSIONS: mm		CHK SANDERS, YAN 15MAY2012			
TOLERANCES UNLESS OTHERWISE SPECIFIED: 0-PLC ± 1-PLC ±0.1 2-PLC ± 3-PLC ± 4-PLC ± ANGLES ±.1°		APVD ALEX, CAL 15MAY2012 PRODUCT SPEC 108-19082 APPLICATION SPEC 114-19029		NAME MALE ASSEMBLY, Z-PACK 2mm HM, TYPE E	
MATERIAL SEE SHEET 1		FINISH SEE SHEET 1		SIZE A1 CAGE CODE 00779 DRAWING NO 6645343 WEIGHT - RESTRICTED TO -	
CUSTOMER DRAWING		SCALE 4:1		SHEET 2 OF 2 REV B	

单击下面可查看定价，库存，交付和生命周期等信息

[>>TE Connectivity\(泰科\)](#)