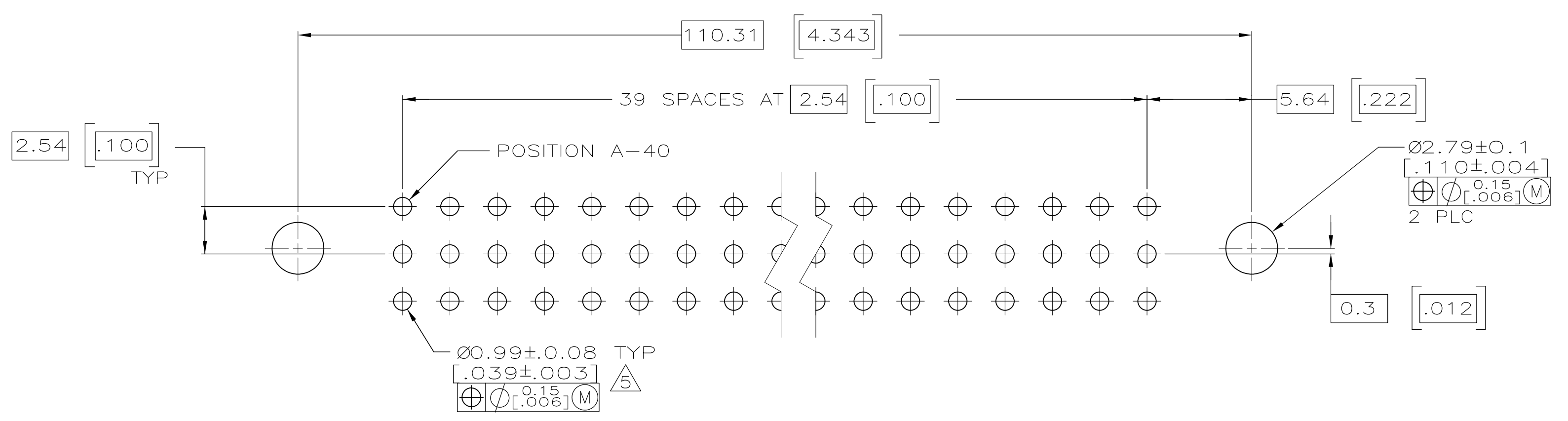
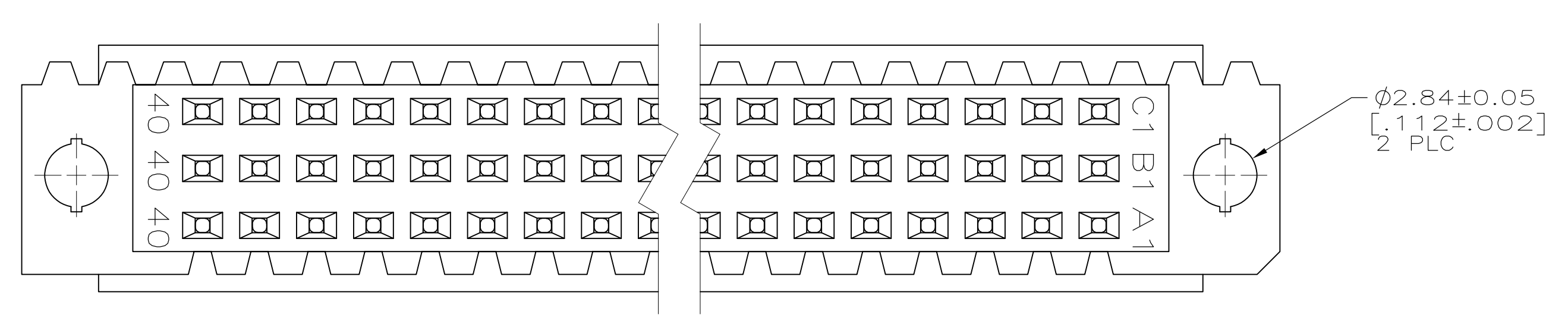
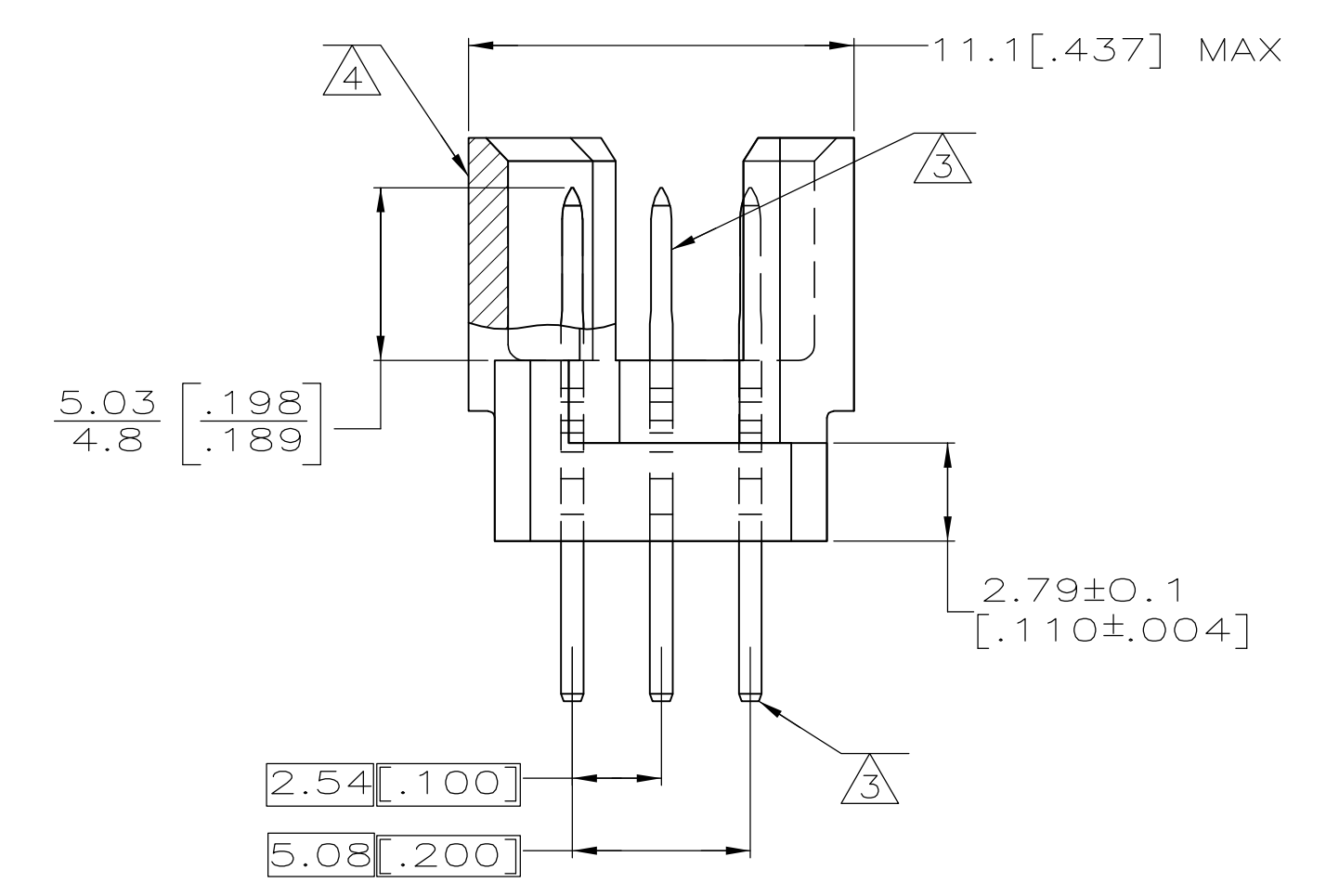
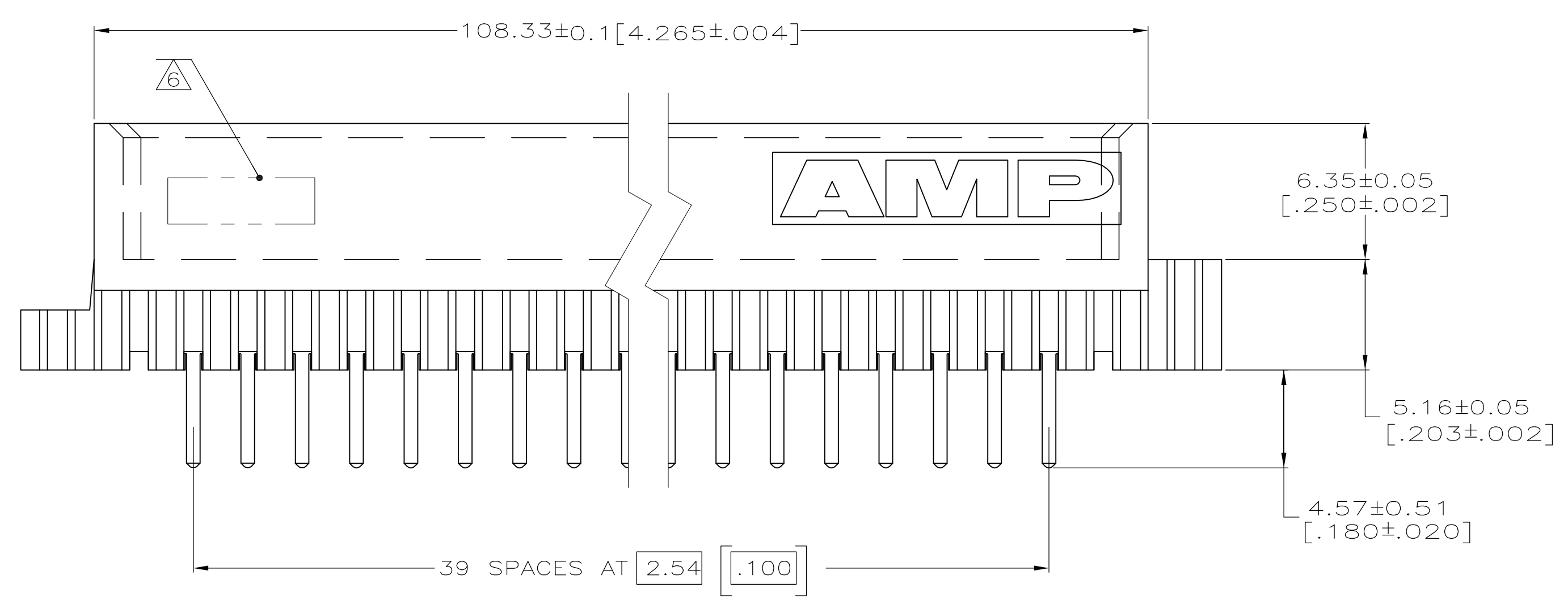


- △ HOUSING MATERIAL: GLASS-FILLED POLYMER.
- △ POST MATERIAL: COPPER ALLOY.
- △ POST FINISH: DIN 41612 CLASS 2 IN CONTACT AREA. TIN PLATE ON POSTS.
- △ MARKING ON THIS SIDE.
- △ RECOMMENDED HOLE SIZE FOR MANUAL APPLICATION OF CONNECTOR ONTO PC BOARD.
- △ PART NUMBER, DATE CODE MARKED THIS APPROXIMATE AREA.



PC BOARD LAYOUT

1-40	X	X	X	120	5650910-5
POSITIONS LOADED	C	B	A	NO. OF LOADED POSITION	ASSY PART NUMBER
	ROWS LOADED				

THIS DRAWING IS A CONTROLLED DOCUMENT.

DRAWING NO.	00779	DATE	03/03/09	SCALE	5:1
REV	02	BY	DH	CHECKED	DB
DIMENSIONS: mm [INCHES]		TOLERANCES UNLESS OTHERWISE SPECIFIED:		MATERIAL	
0 PLC	± .005	0.15	± .005	GLASS-FILLED POLYMER	
1 PLC	± .005	0.15	± .005	COPPER ALLOY	
2 PLC	± .005	0.15	± .005	DIN 41612 CLASS 2	
3 PLC	± .005	0.15	± .005	TIN PLATE	
4 PLC	± .005	0.15	± .005		
ANGLES	± .005				
FINISH					

DWG: J. POLIGNONE
 CHK: A. SHARPE
 APP'D: A. SHARPE
 NAME: ASSEMBLY, PIN, EUROCARD, TYPE R, 120 POSITION, 4.57[.180] SOLDER POST
 SIZE: A1
 CAGE CODE: 5650910
 CUSTOMER DRAWING
 SHEET 1 OF 1
 REV 02

单击下面可查看定价，库存，交付和生命周期等信息

[>>TE Connectivity\(泰科\)](#)