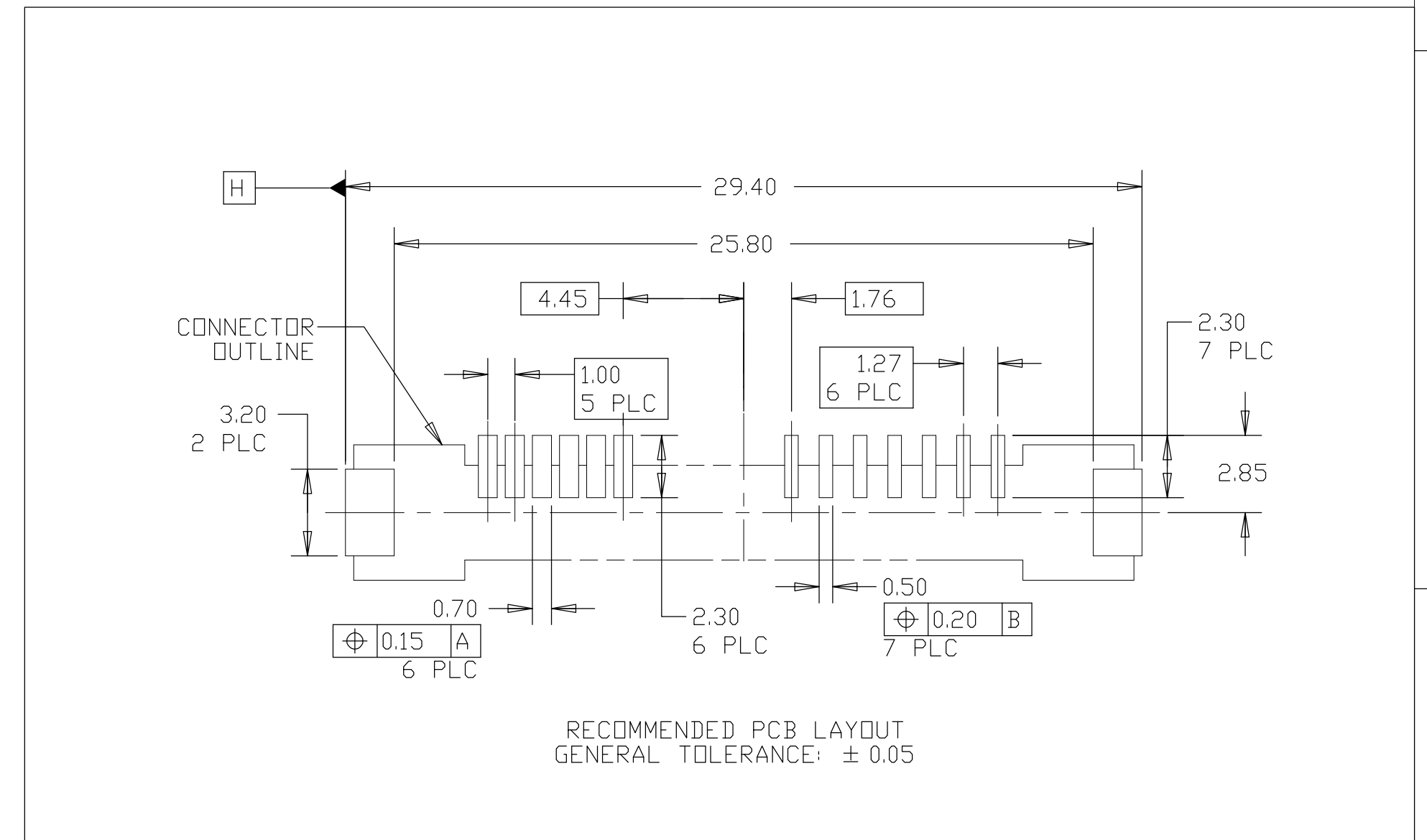
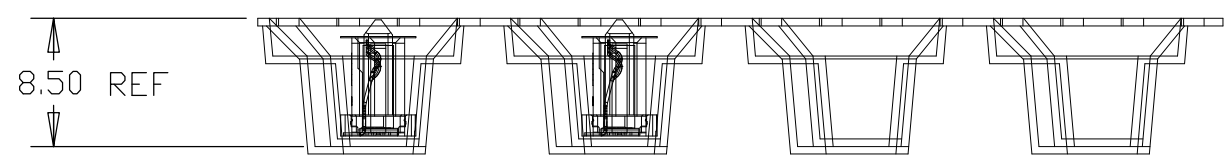
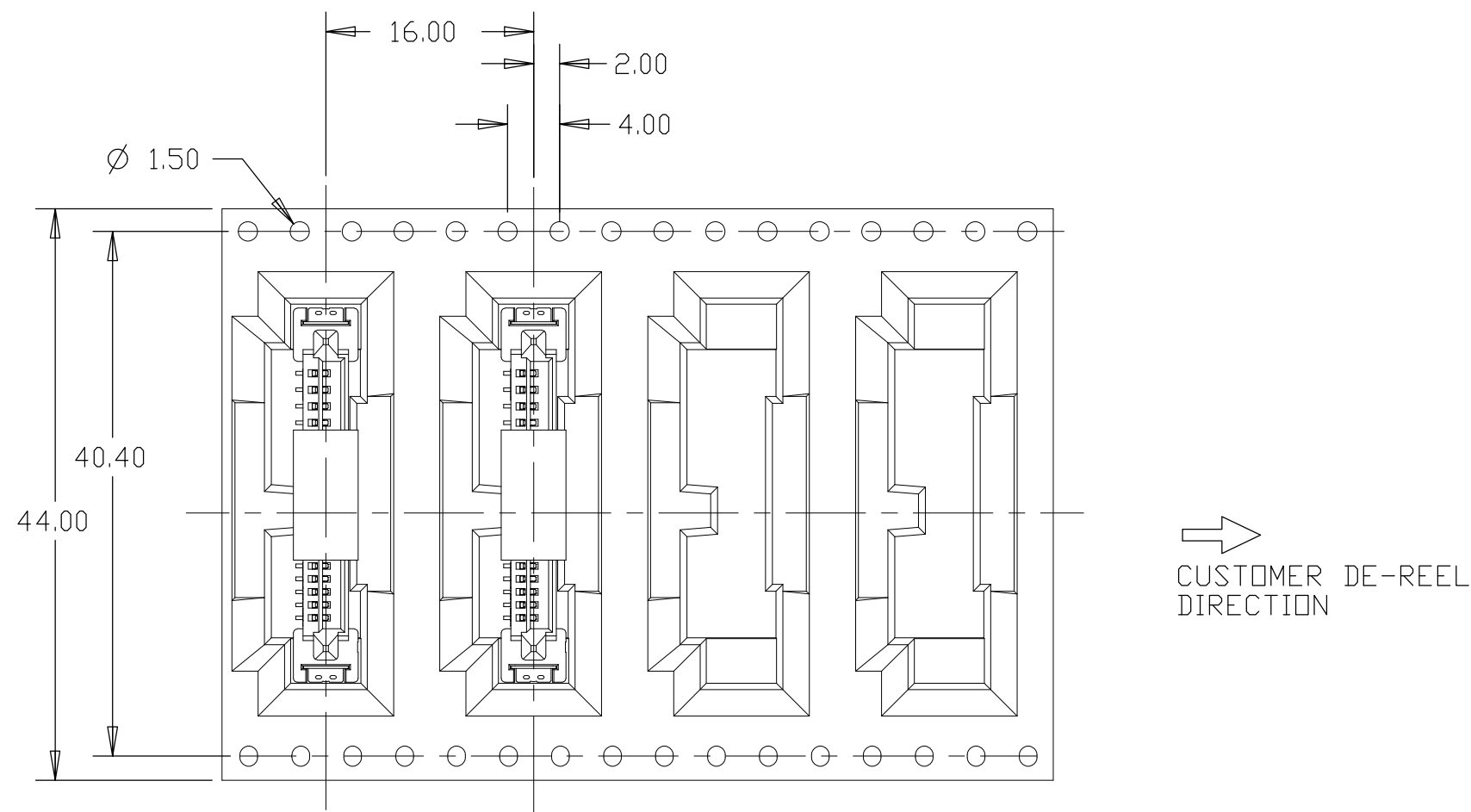
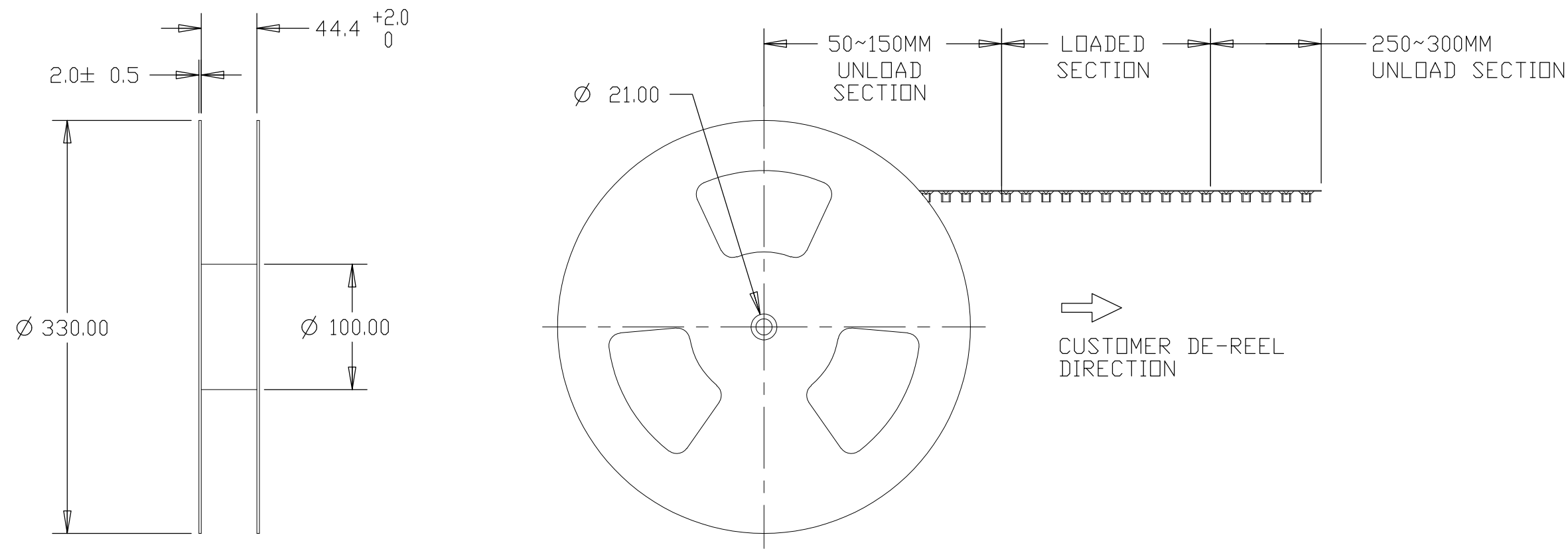


THIS DRAWING IS UNPUBLISHED. RELEASED FOR PUBLICATION 20
 © COPYRIGHT BY - ALL RIGHTS RESERVED.

REVISIONS					
P	LTR	DESCRIPTION	DATE	DWN	APVD
-		SEE SHEET 1	-	-	-



THIS DRAWING IS A CONTROLLED DOCUMENT.		DWN SK LEAW 12MAR2008			
DIMENSIONS: mm		CHK SF LEONG 12MAR2008			
TOLERANCES UNLESS OTHERWISE SPECIFIED:		APVD SF LEONG 12MAR2008	NAME SLIMLINE SATA RECEPTACLE, VERTICAL, SMT, 6.5H		
0 PLC ± 1 PLC ±0.4 2 PLC ±0.20 3 PLC ± 4 PLC ± ANGLES ±3° FINISH		PRODUCT SPEC 108-51075	SIZE A2	CAGE CODE 00779	DRAWING NO C=1735539
MATERIAL		APPLICATION SPEC -	SCALE 5:1	SHEET 2 OF 2	REV A5
		WEIGHT -	RESTRICTED TO		
		CUSTOMER DRAWING			

单击下面可查看定价，库存，交付和生命周期等信息

[>>TE Connectivity\(泰科\)](#)