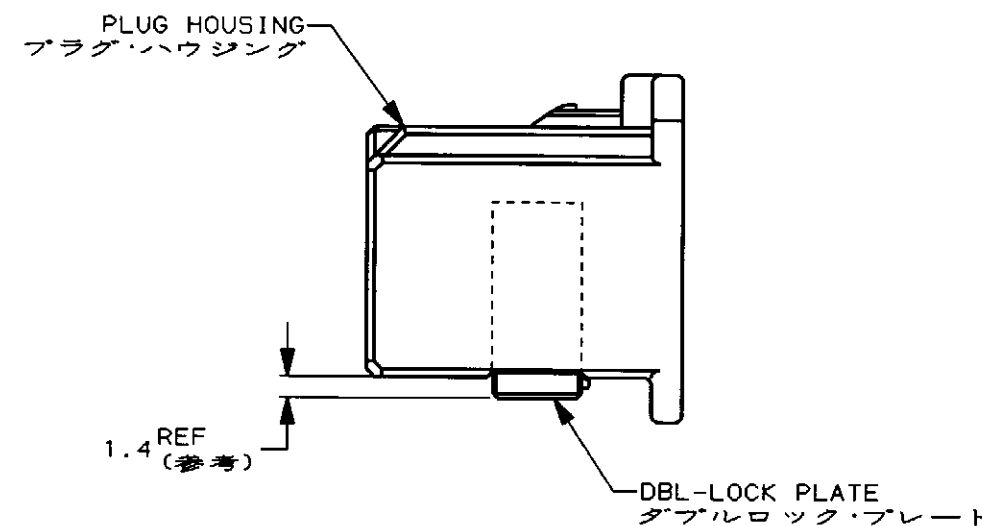
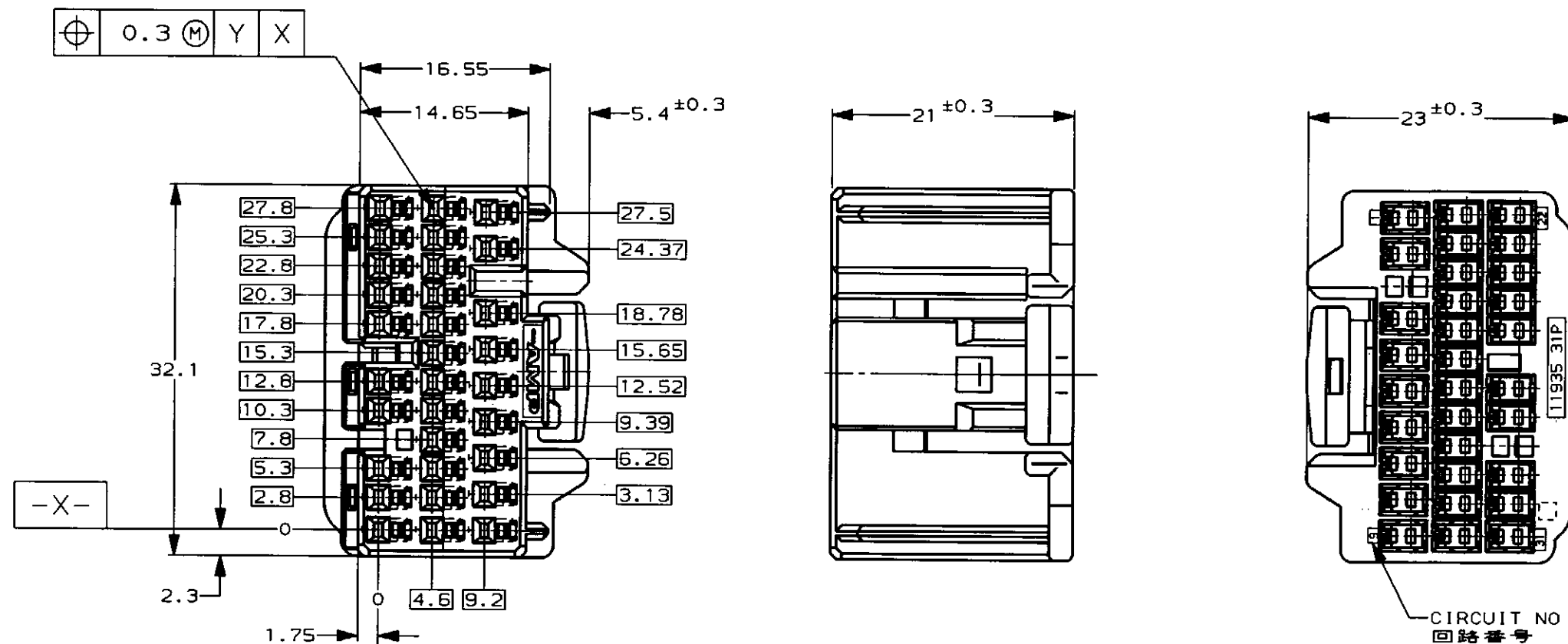


LOC		DIST		REVISIONS				
P	LTR	DESCRIPTION	ECN	DATE	DWN	APVD		
	0	DRAWN	FJ00-0606-97	16APR97	HY	NS		



- PART NUMBER OF CAP HOUSINGS TO BE MATED, 353824
- DETAILS OF CAVITIES; SEE TABLE-1

- 嵌合相手ハウジング型番; 353824
- キャビティ構成は、TABLE-1 参照

TABLE-1

CAVITY キャビティ	POS. 極数	CIRCUIT NO 回路番号	APPLIED CONTACT P/N 適用端子型番	APPLICABLE WIRE RANGE 適用電線
	20	10~20	316836, 316837	AV55/CAVS 0.3~0.5mm <sup>2</sup> CAVUS 0.3~0.5mm <sup>2</sup>
		22~30		
	11	1~9	316836, 316837	AV5 0.5mm <sup>2</sup> AV55/CAVS 0.85~1.25mm <sup>2</sup> CAVUS 1.25mm <sup>2</sup>
		21		
		31		
			316838	

THIS DRAWING IS A CONTROLLED DOCUMENT FOR AMP INCORPORATED. IT IS SUBJECT TO CHANGE AND THE CONTROLLING ENGINEERING ORGANIZATION SHOULD BE CONTACTED FOR THE LATEST REVISION.

DIMENSIONS: 単位: 概 mm	TOLERANCES UNLESS OTHERWISE SPECIFIED 一般公差 10% ±0.2 30% ±0.25 100% ±0.3 ANGLE: ±3°	DWN 16APR97 H. YAMAGAMI CHK 16APR97 N. YASUDA APVD 16APR97 N. SAI	PRODUCT SPEC 製品規格 108-5529 APPLICATION SPEC 取付適用規格 114-5217	NAME 名称 AMP 日本エー・エム・ピー株式会社 Kawasaki, Japan
MATERIAL 材料 PBT	COLOR 色 SEE TABLE 表参照	WEIGHT 6.91g	SIZE A3	RESTRICTED TO
CUSTOMER DRAWING			SCALE 尺度 2-1	SHEET 1 OF 1

③ 353826

单击下面可查看定价，库存，交付和生命周期等信息

[>>TE Connectivity\(泰科\)](#)