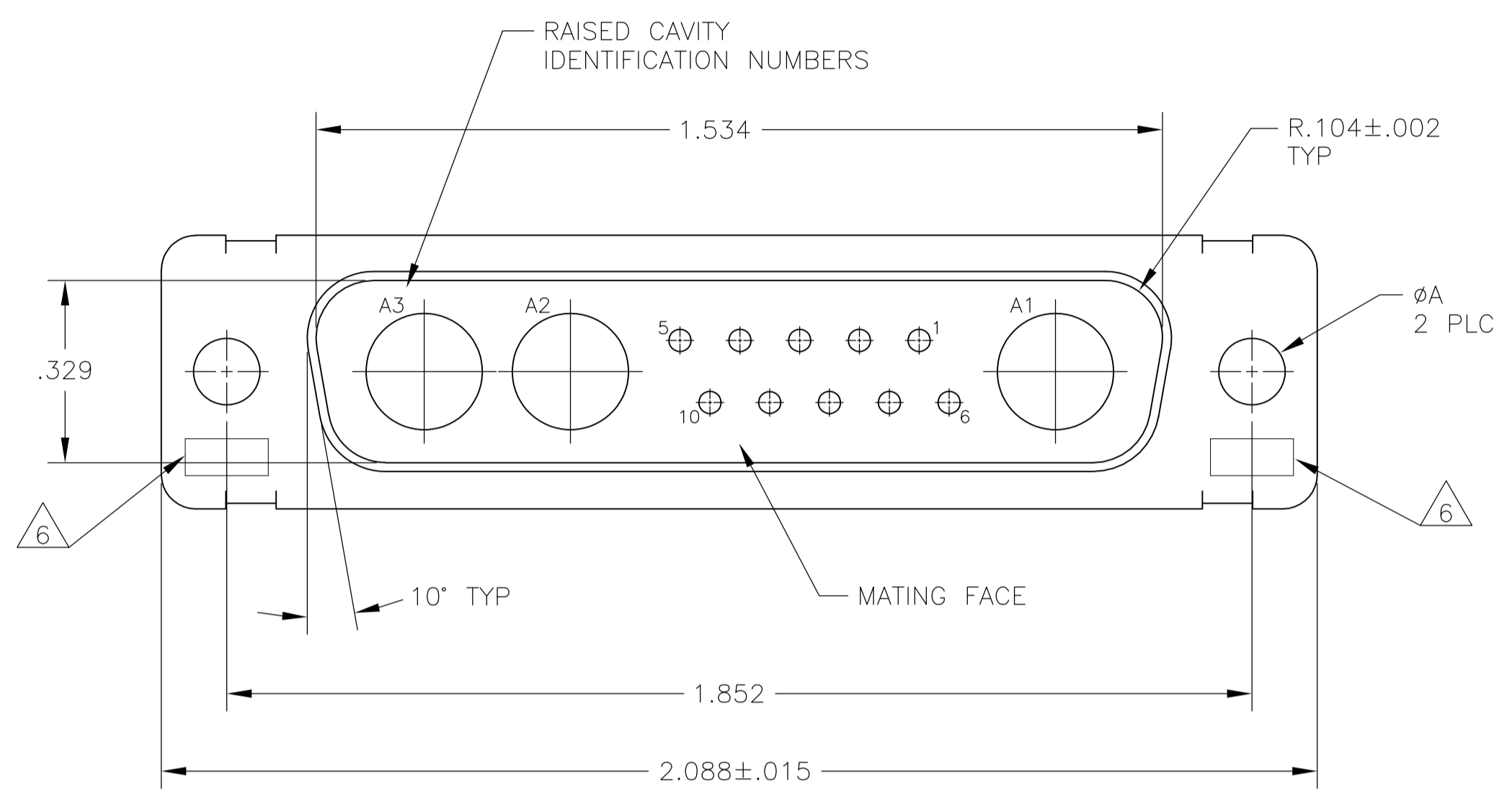
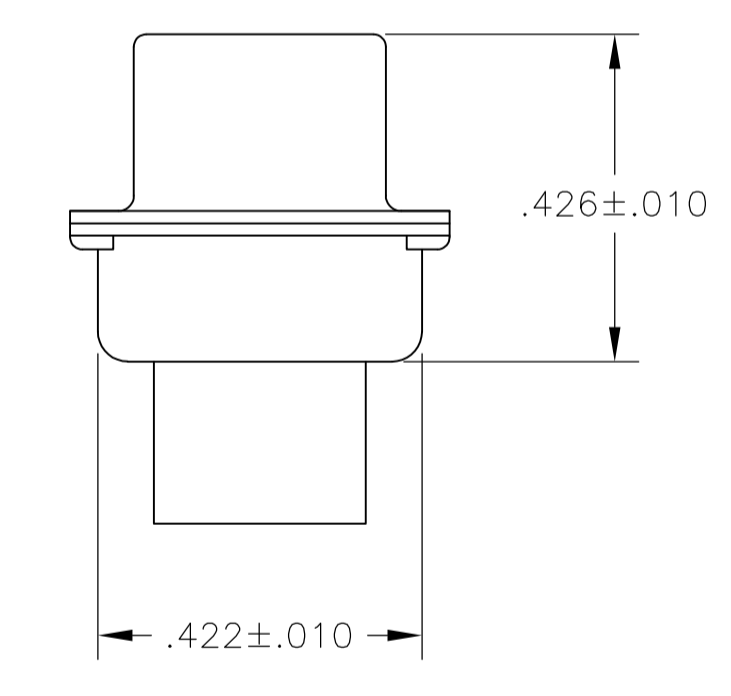
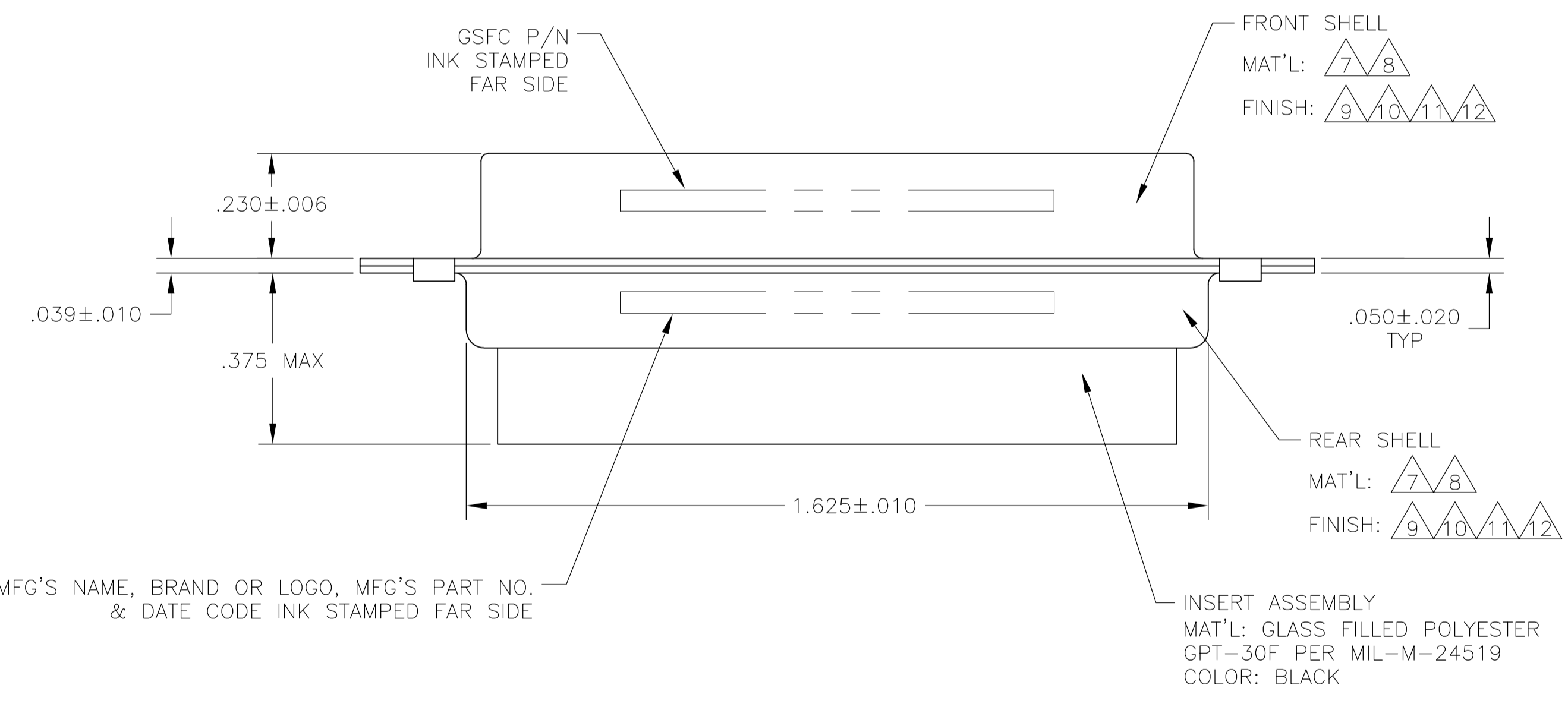


LOC		DIST		REVISIONS			
P	LTR	DESCRIPTION	DATE	DN	APVD		
S		REVISED PER ECO-15-016251	13NOV15	KG	CD		



1. THIS PLUG WILL MATE WITH ANY 13C3, SIZE 3 RECEPTACLE IN AMPLIMITE SERIES.
 2. MAXIMUM WIRE INSULATION TO BE USED WITH THIS PLUG IS $\phi.068$.
 3. THIS CONNECTOR ACCEPTS (3) POWER 8, OR COAX PIN CONTACTS IN POSITIONS A1 THRU A3, PURCHASED SEPARATELY.
 4. THIS CONNECTOR ACCEPTS SIZE 20 PIN SIGNAL CONTACTS IN POSITIONS 1 THRU 10, PURCHASED SEPARATELY.
5. GROUNDING INDENTS FOR 208810-2 & 5-208810-2 ONLY (NOT SHOWN ON DRAWING).
6. UL/CSA DESIGNATION STAMPED IN THIS AREA, OPTIONAL.
7. STEEL PER ASTM-A-109.
8. BRASS PER MIL-C-50 AND ASTM-B-36 UNS NO. C26000.
9. FINISH: TIN PER ASTM-B-545 .000400 MIN THK OVER COPPER PER AMS2418 .000050 MIN THK.
10. CADMIUM PLATED PER QQ-P-416.
11. FINISH: GOLD PLATED PER MIL-G-45204 TYPE II, GRADE C, CLASS 1 OVER COPPER PER MIL-C-14550, CLASS IV.
12. FINISH: ZINC PLATE PER ASTM-B-633, .000200-.000400 THK WITH SUPPLEMENTARY CHROMATE (Cr3+)



5 7 9	.120	-	5-208810-2
7 12	.120	-	5-208810-1
8 11	.154	311P405-12P-B-15	208810-4
8 11	.120	311P405-12P-B-12	208810-3
5 7 9	.120	-	208810-2
7 10	.120	-	208810-1
REMARKS	ØA	GSFC P/N	MFG'S PART NO.

THIS DRAWING IS A CONTROLLED DOCUMENT.

APPROVED: A. EMADI
 DATE: 09FEB88

DESIGNED: C.C. THOMAS
 DATE: 04FEB88

TE Connectivity

PLUG ASSEMBLY
 AMPLIMITE 13C3
 SIZE 3, SERIES 109, COAX MIX

SIZE: A1
 SCALE: 4:1
 SHEET: 1 OF 1
 REV: S

单击下面可查看定价，库存，交付和生命周期等信息

[>>TE Connectivity\(泰科\)](#)