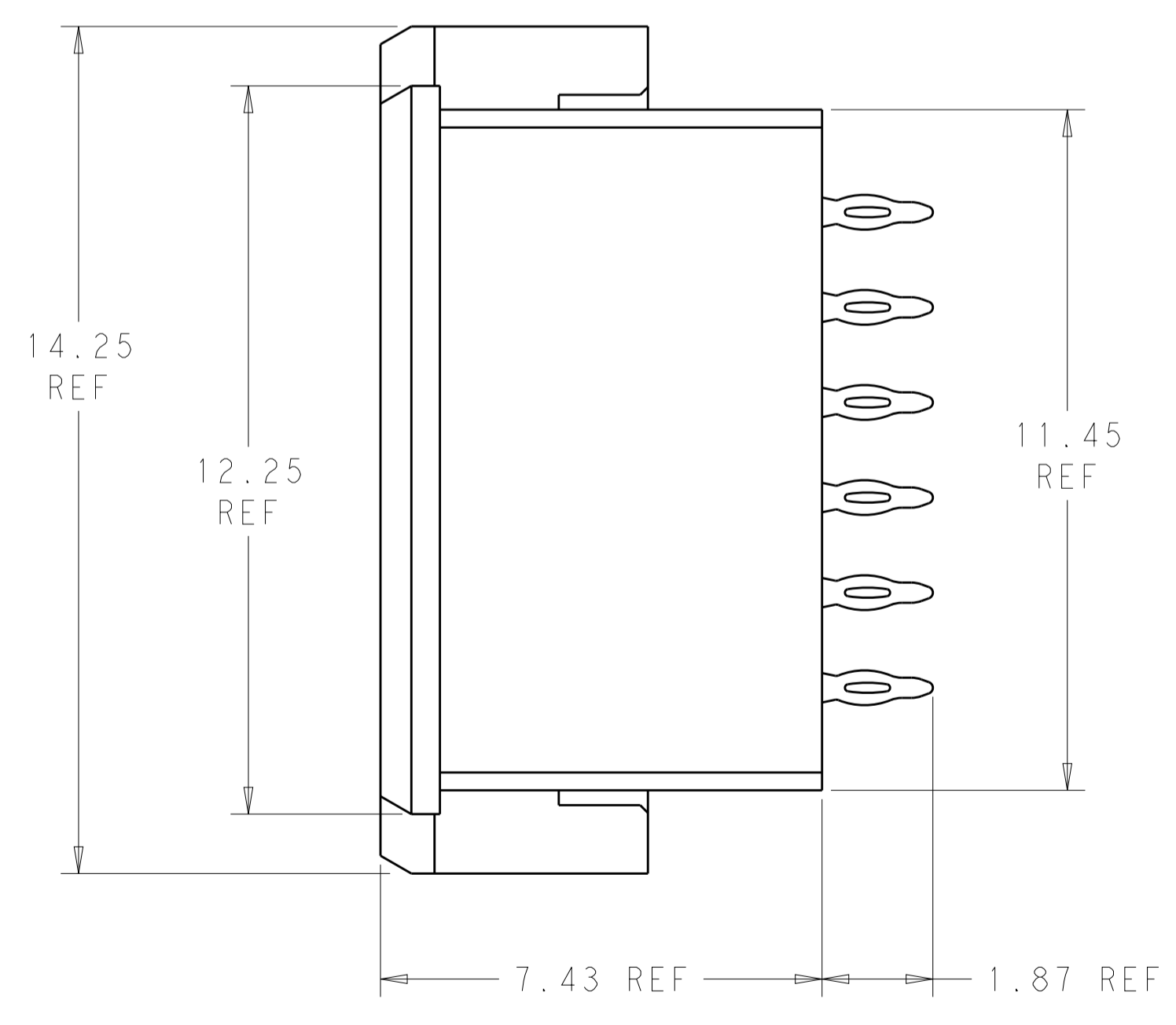
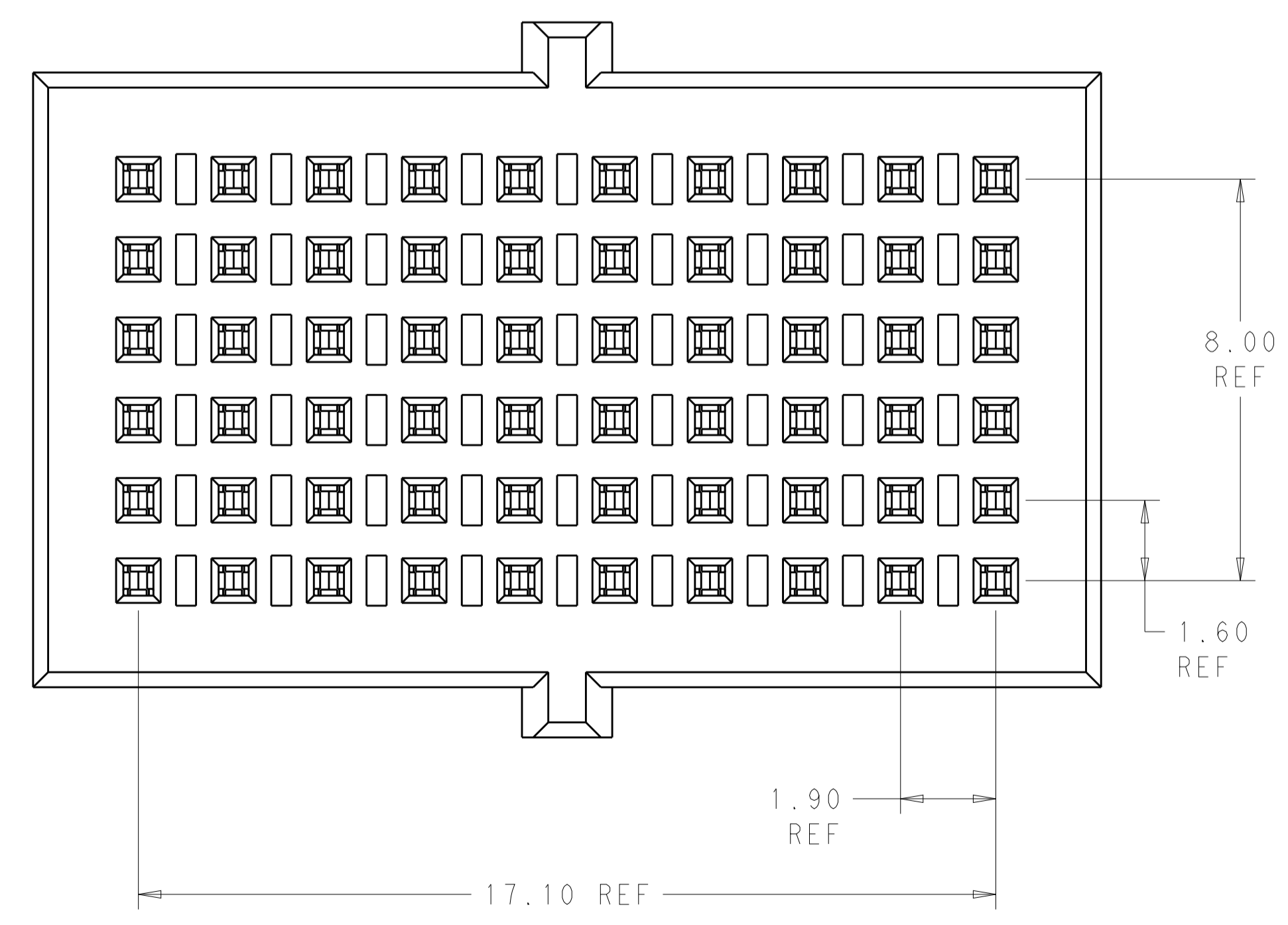
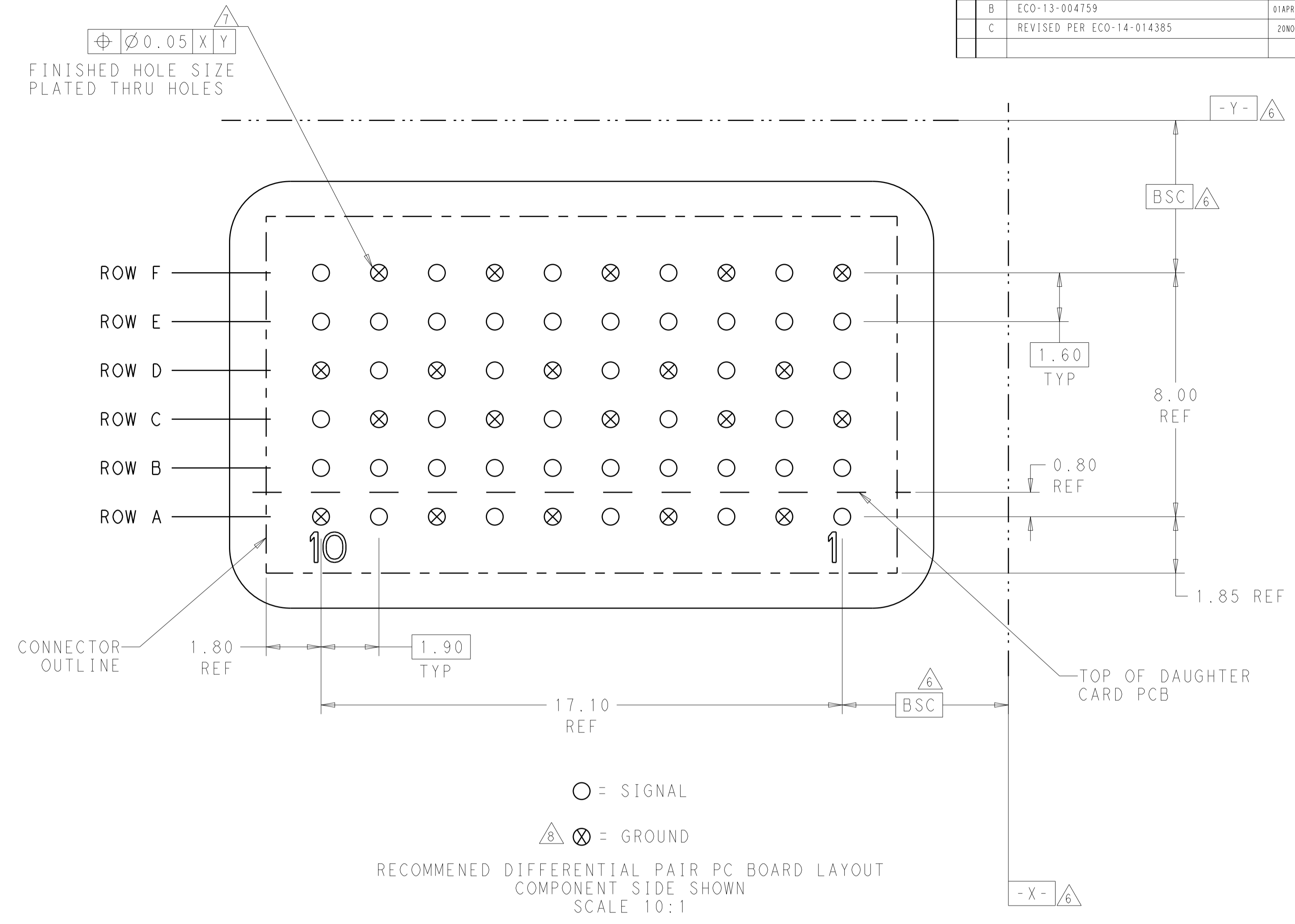
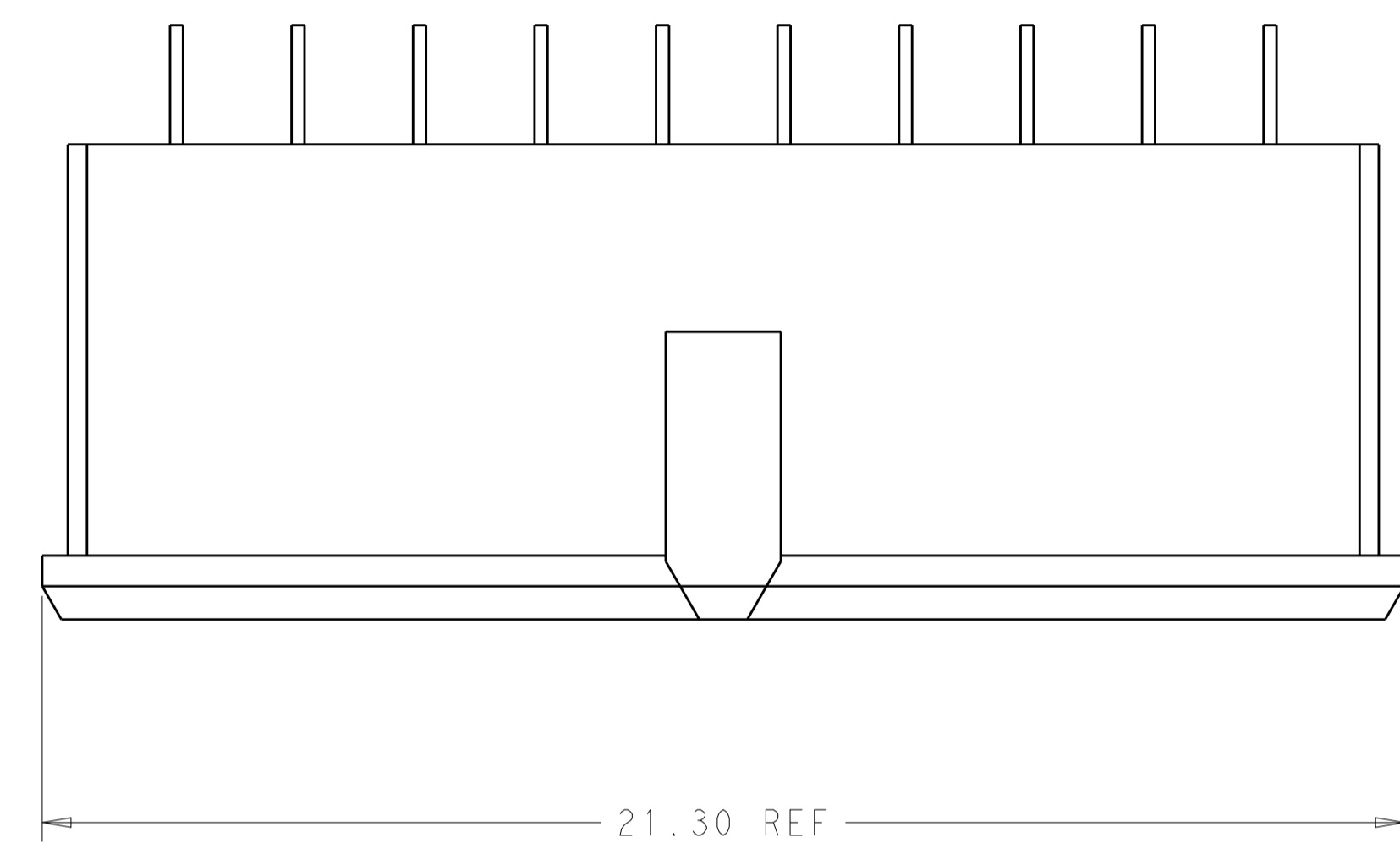


LOC	DIST	REV	DATE	BY	CHK	APPV
-	-	A	11OCT2012	MGM	CT	
-	-	B	01APR2013	KG	DH	
-	-	C	20NOV14	MGM	CT	



- 1 MATERIAL:
CONTACT - COPPER ALLOY
HOUSING - LCP, COLOR - BLACK
- 2 FINISH:
MATING AREA: 1.27µm MIN GOLD OVER
1.25µm MIN NICKEL
- 3 FINISH:
COMPLIANT PIN AREA: 0.38µm MIN BRIGHT TIN LEAD
OVER 1.27µm MIN NICKEL
- 4 FINISH:
COMPLIANT PIN AREA: 0.38µm MIN MATTE TIN
OVER 1.27µm MIN NICKEL
- 5 --
- 6 DATUMS AND BASIC DIMENSIONS ESTABLISHED BY CUSTOMER.
- 7 REFERENCE APPLICATION SPEC 114-13267 FOR RECOMMENDED
PLATING THRU HOLE DIAMETER AND PLATING THICKNESS.
- 8 RECOMMENDED DIFFERENTIAL PAIR CONFIGURATION SHOWN.
THE CONNECTOR UTILIZES AN OPEN PIN FIELD AND
CAN BE LAID OUT IN A SINGLE-ENDED CONFIGURATION.

2, 4	2102094-2
2, 3	2102094-1
FINISH	PART NUMBER

THIS DRAWING IS A CONTROLLED DOCUMENT. DIMENSIONING AND TOLERANCING PER GPS (ISO STANDARDS).		DWN: D. BELACK CHK: A. TSANG APPV: M. McALONIS	Z4NOV2010	TE Connectivity	
DIMENSIONS: mm		TOLERANCES UNLESS OTHERWISE SPECIFIED:		NAME: Fortis Zd, 2-PAIR, 10-COLUMN, VERTICAL, FULL SHROUD ASSEMBLY	
0 PLC	±	1 PLC	±0.13	PRODUCT SPEC	108-2409
2 PLC	±0.05	3 PLC	±	APPLICATION SPEC	114-13267
4 PLC	±	ANGLES	±2°	SIZE	CAGE CODE DRAWING NO
MATERIAL	FINISH	WEIGHT	~2.73g	A100779	C=2102094
CUSTOMER DRAWING		SCALE	10:1	SHEET	1 OF 1

单击下面可查看定价，库存，交付和生命周期等信息

[>>TE Connectivity\(泰科\)](#)