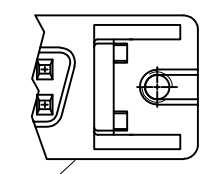
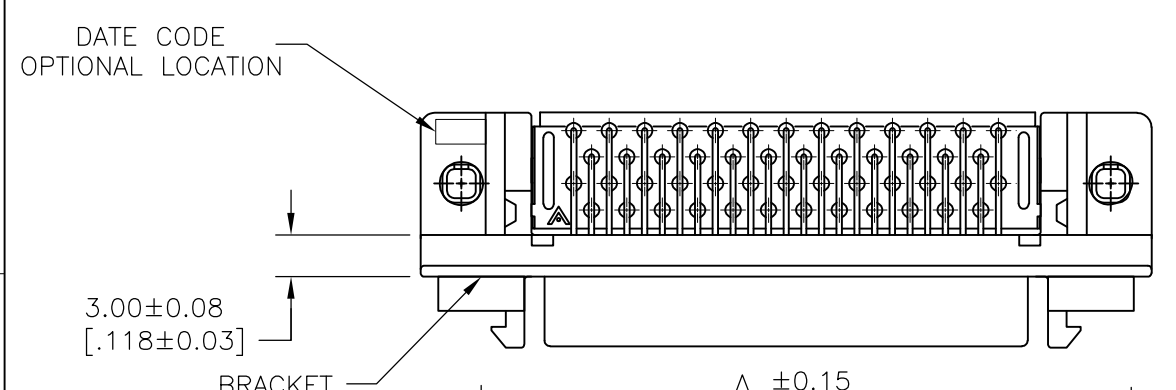
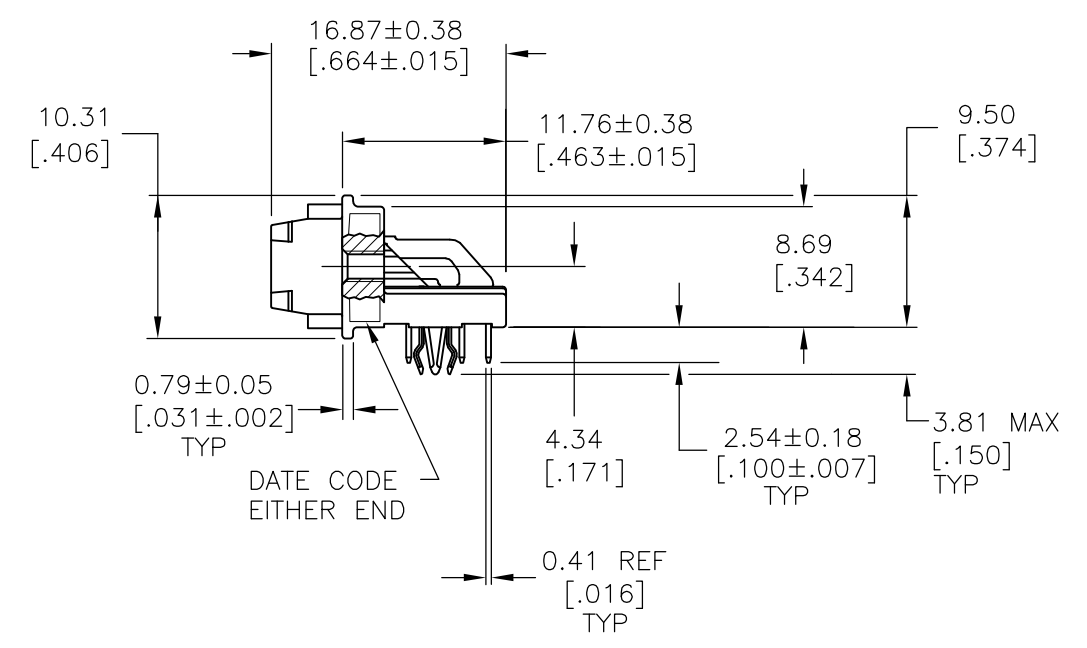
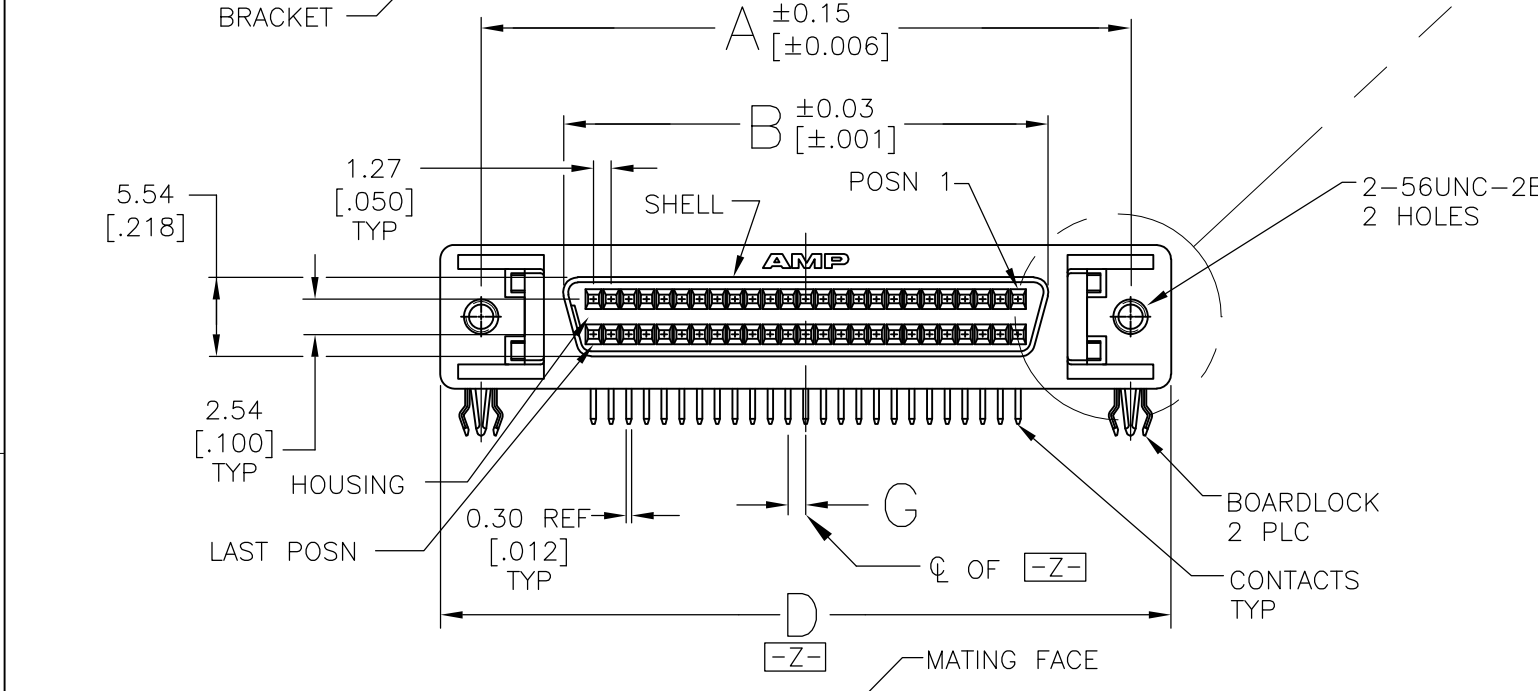


LOC	DIST	REVISIONS					
GP	00	P	LTR	DESCRIPTION	DATE	DWN	APVD
		D		REVISED PER ECO-11-008091	18APR2011	CJV	SLB



ALTERNATE BRACKET  
DESIGN  
TYP.



THIS DRAWING IS A CONTROLLED DOCUMENT.		DWN	28JAN2004							
		CHK	28JAN04							
		APVD	28JAN04							
		PRODUCT SPEC	108-1228							
DIMENSIONS: mm [INCHES]		TOLERANCES UNLESS OTHERWISE SPECIFIED:		NAME						
		0 PLC	± -		RECEPTACLE ASSEMBLY, SHIELDED, RIGHT ANGLE, RAILED, .050 SERIES, AMPLIMITE					
		1 PLC	± -							
		2 PLC	± 0.13[.005]							
		3 PLC	± -							
MATERIAL		4 PLC	± -		SIZE	CAGE CODE	DRAWING NO	RESTRICTED TO		
FINISH		ANGLES	± -		A3	00779	C-1761028	-		
1		2		WEIGHT		CUSTOMER DRAWING		SCALE	SHEET	REV
				-		2:1		1 of 3	D	



THIS DRAWING IS UNPUBLISHED. RELEASED FOR PUBLICATION  
 © COPYRIGHT - By - ALL RIGHTS RESERVED.


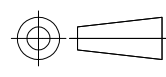
LOC	DIST	REVISIONS					
GP	00	P	LTR	DESCRIPTION	DATE	DWN	APVD
		-		SEE SHEET 1	-	-	-

1 CONTACTS: PHOSPHOR BRONZE.  
 HOUSING & PIN-SPACER: UL 94V-0 RATED, THERMOPLASTIC, BLACK.  
 BRACKET: ZINC.  
 SHELL: CARBON STEEL.  
 BOARDLOCKS: COPPER ALLOY.

2 CONTACTS: EITHER 0.00076 [.000030] MIN GOLD PLATE ON MATING END OR GOLD FLASH OVER PALLADIUM NICKEL PLATE, 0.00076 [.000030] MIN TOTAL ON MATING END, 0.00381 [.000150] MIN TIN ON SOLDER END, ALL OVER 0.00127 [.000050] MIN NICKEL ON ENTIRE CONTACT.  
 SHELL: 0.00508 [.000200] MIN NICKEL OVER 0.00127 [.000050] MIN COPPER.  
 BRACKET: 0.00254 [.000100] MIN NICKEL OVER 0.00508 [.000200] COPPER.  
 BOARDLOCKS: 0.00300 [.000118] MIN TIN OVER 0.00127 [.000050] MIN NICKEL.

TUBE	T	29.87 [1.176]	17.37 [.684]	27.43 [1.080]	0.64 [.025]	23.75 [.935]	31.50 [1.240]	33.40 [1.315]	15.65 [.616]	27.43 [1.080]	20	1761028-6
TUBE	T	80.67 [3.176]	68.17 [2.684]	78.23 [3.080]	0.64 [.025]	74.55 [2.935]	82.30 [3.240]	84.20 [3.315]	66.45 [2.616]	78.23 [3.080]	100	1761028-5
TUBE	T	60.35 [2.376]	47.85 [1.884]	57.91 [2.280]	0.64 [.025]	54.23 [2.135]	61.98 [2.440]	63.88 [2.515]	46.13 [1.816]	57.91 [2.280]	68	1761028-4
TUBE	S	48.92 [1.926]	36.42 [1.434]	46.48 [1.834]	1.27 [.050]	42.80 [1.685]	50.55 [1.990]	52.45 [2.065]	34.70 [1.366]	46.48 [1.830]	50	1761028-3
TUBE	T	42.57 [1.676]	30.07 [1.184]	40.13 [1.580]	0.64 [.025]	36.45 [1.435]	44.20 [1.740]	46.10 [1.815]	28.35 [1.116]	40.13 [1.580]	40	1761028-2
TUBE	S	33.68 [1.326]	21.18 [.834]	31.24 [1.230]	1.27 [.050]	27.56 [1.085]	35.31 [1.390]	37.21 [1.465]	19.46 [.766]	31.24 [1.230]	26	1761028-1
PACKAGING	PC BOARD PATTERN	R	P	L	G	F	E	D	B	A	NO OF POS	PART NUMBER

THIS DRAWING IS A CONTROLLED DOCUMENT.

DIMENSIONS: mm [INCHES]	TOLERANCES UNLESS OTHERWISE SPECIFIED: 0 PLC ± - 1 PLC ± - 2 PLC ± 0.13[.005] 3 PLC ± - 4 PLC ± - ANGLES ± -	DWN B. MCMASTER 28JAN2004 CHK S. SHUEY 28JAN04 APVD M. WALMSLEY 28JAN04	 TE Connectivity	
		PRODUCT SPEC 108-1228	NAME RECEPTACLE ASSEMBLY, SHIELDED, RIGHT ANGLE, RAILED, .050 SERIES, AMPLIMITE	
MATERIAL	FINISH	APPLICATION SPEC 114-40029	SIZE A3	CAGE CODE 00779
1	2	WEIGHT -	DRAWING NO C-1761028	RESTRICTED TO -
CUSTOMER DRAWING			SCALE 2:1	SHEET 3 of 3
			REV D	

单击下面可查看定价，库存，交付和生命周期等信息

[>>TE Connectivity\(泰科\)](#)