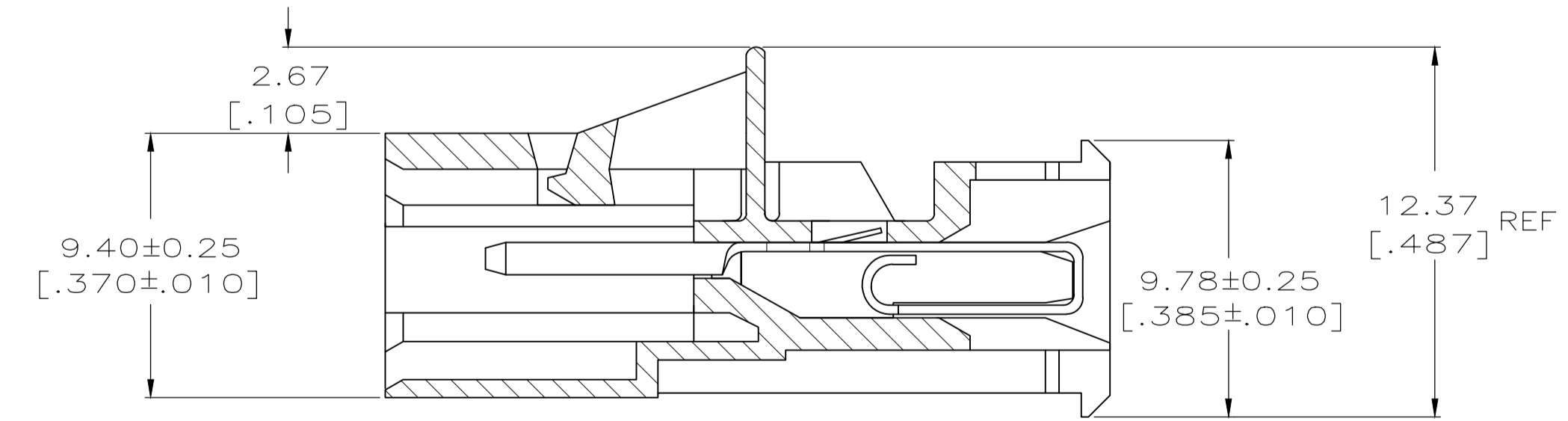
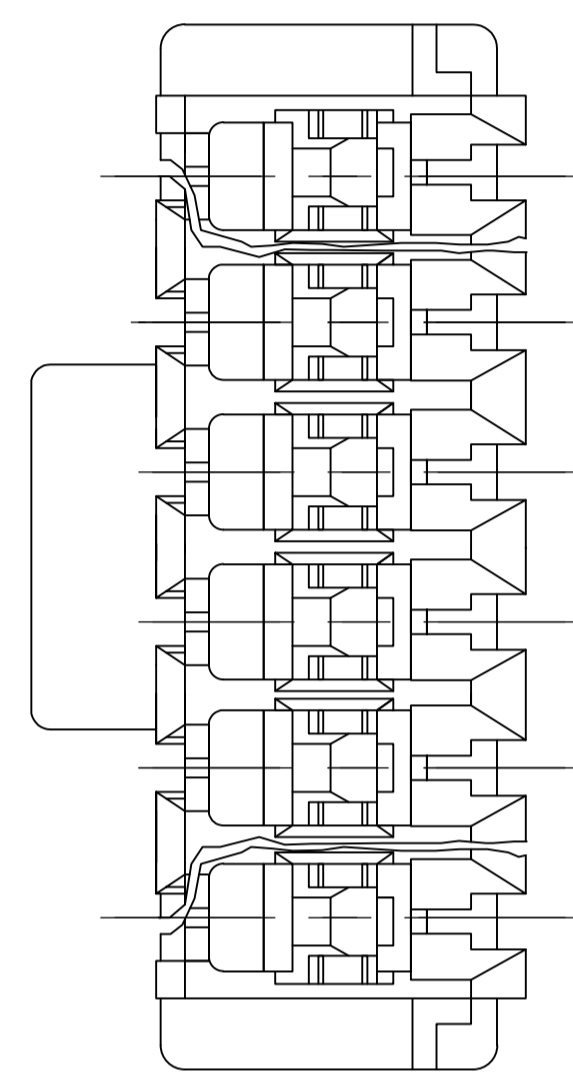
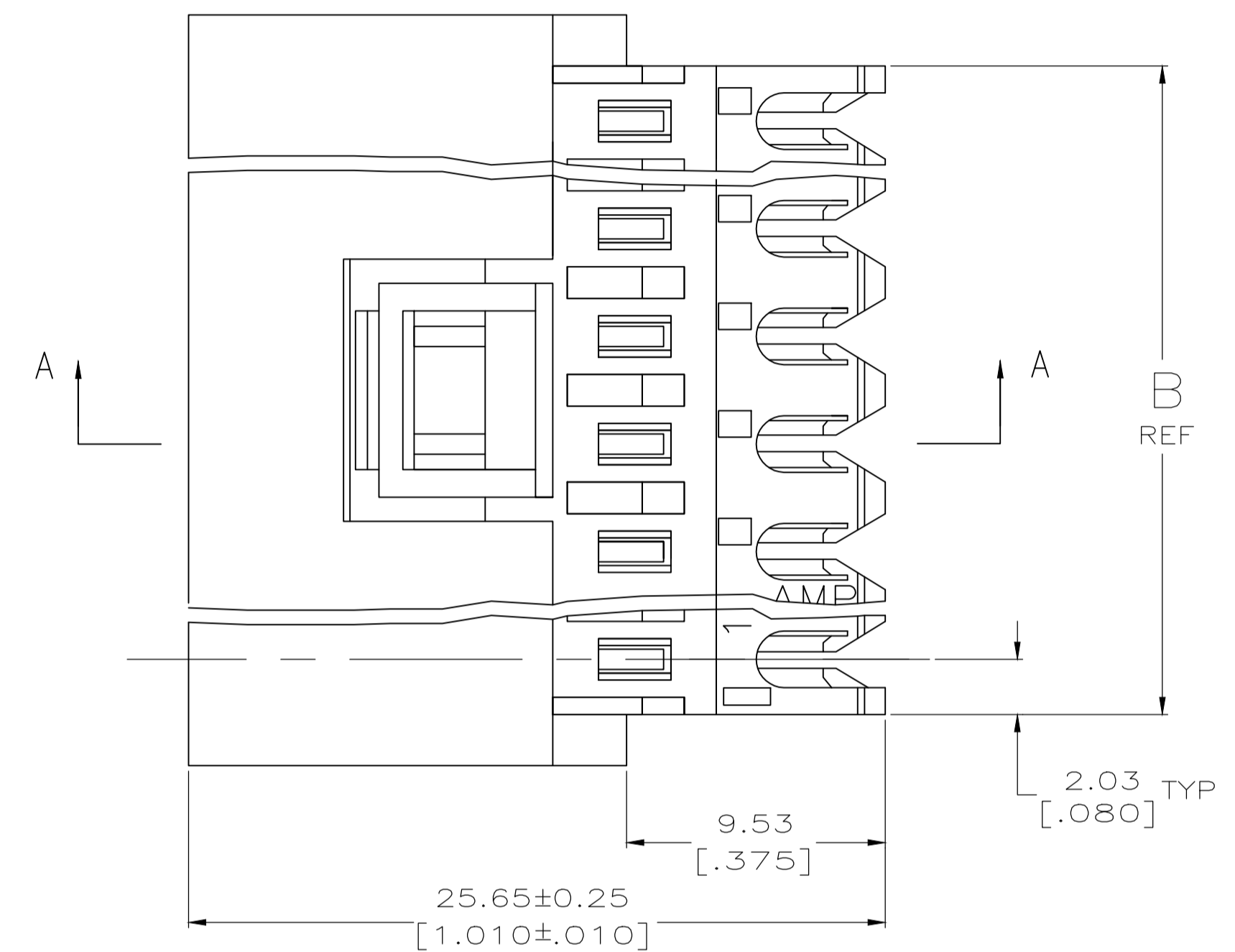
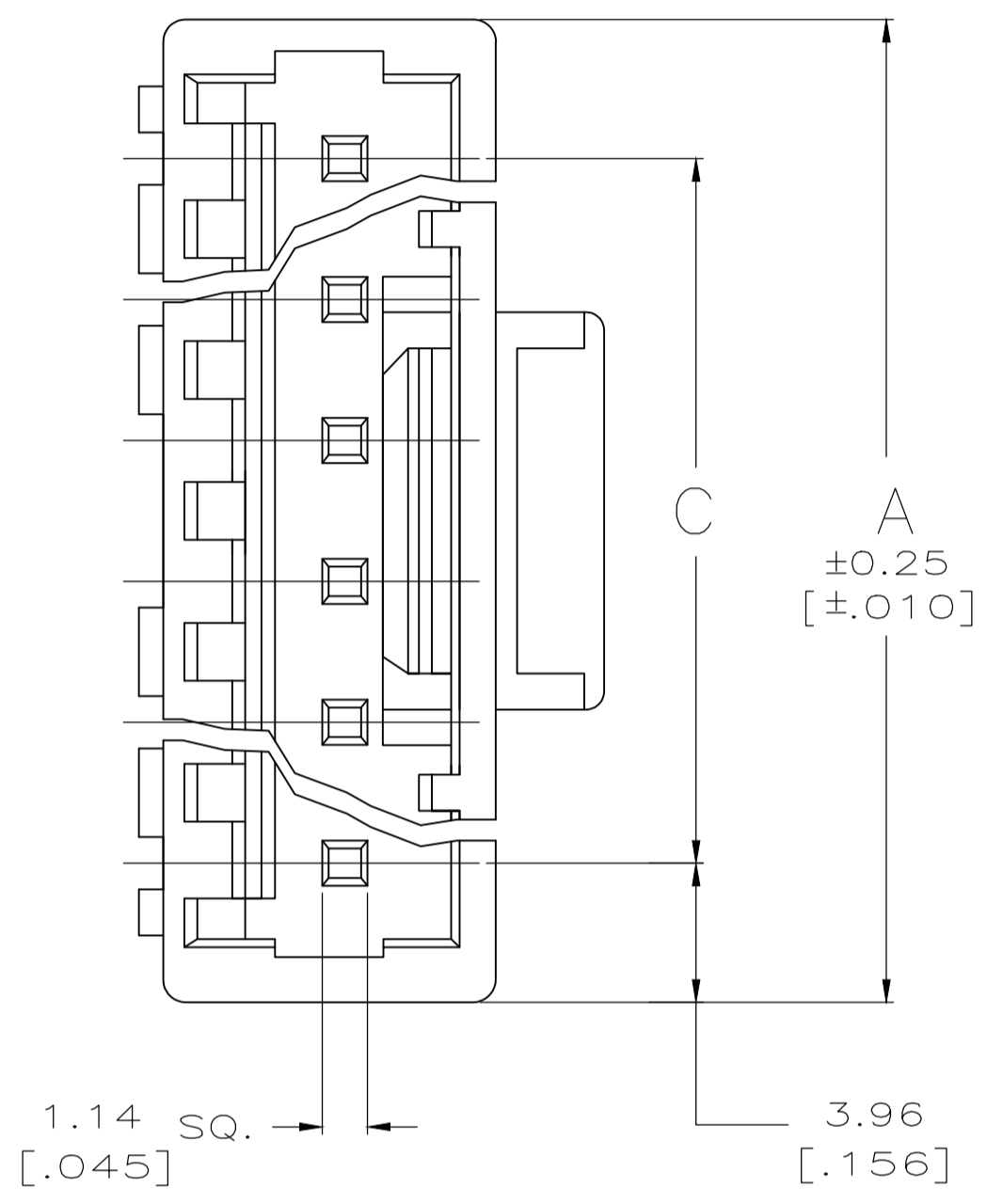


REVISIONS					
P	LTR	DESCRIPTION	DATE	DW	APVD
E		REVISED PER ECR-20-000808	22MAY2020	PC	SW

- MATERIAL: CONNECTOR- NYLON UL94V-2 (WHITE).
CONTACTS- 0.30 [.012] THK COPPER ALLOY
(BRIGHT TIN-LEAD 0.00203 [.000080] MIN THK).
(MATTE TIN 0.00203 [.000080] MIN THK).
- CONTACTS ACCEPT #24 AWG SOLID, FUSED STRANDED OR STRANDED (7 STRANDS) WIRE WITH 2.41 [.095] MAX INSULATION DIA.
- BOW, IN ANY DIRECTION, NOT TO EXCEED 0.15 [.006] PER IN.
- HOUSING FEATURES: FEED-THRU.
- DIMENSIONS IN BRACKETS ARE IN INCHES.
- ⚠️ OBSOLETE PARTS: OBSOLETE CIS STREAMLINING PER D.RENAUD/D.SINISI



SECTION A-A

FINISH	C	B	A	NO. OF CIRCUITS	PART NUMBER
⚠️ OBSOLETE	91.14 [3.588]	95.20 [3.748]	99.06 [3.900]	24	5-641525-4
⚠️ OBSOLETE	55.47 [2.184]	59.54 [2.344]	63.40 [2.496]	15	4-641525-5
⚠️ OBSOLETE	43.59 [1.716]	47.65 [1.876]	51.51 [2.028]	12	4-641525-2
⚠️ OBSOLETE	31.70 [1.248]	35.76 [1.408]	39.62 [1.560]	9	3-641525-9
⚠️ OBSOLETE	19.81 [.780]	23.88 [.940]	27.74 [1.092]	6	3-641525-6
⚠️ OBSOLETE	11.89 [.468]	15.95 [.628]	19.81 [.780]	4	3-641525-4
⚠️ OBSOLETE	7.92 [.312]	11.99 [.472]	15.85 [.624]	3	3-641525-3
⚠️ OBSOLETE	3.96 [.156]	8.03 [.316]	11.89 [.468]	2	3-641525-2
⚠️ OBSOLETE	91.14 [3.588]	95.20 [3.748]	99.06 [3.900]	24	2-641525-4
⚠️ OBSOLETE	55.47 [2.184]	59.54 [2.344]	63.40 [2.496]	15	1-641525-5
⚠️ OBSOLETE	43.59 [1.716]	47.65 [1.876]	51.51 [2.028]	12	1-641525-2
⚠️ OBSOLETE	31.70 [1.248]	35.76 [1.408]	39.62 [1.560]	9	641525-9
⚠️ OBSOLETE	19.81 [.780]	23.88 [.940]	27.74 [1.092]	6	641525-6
⚠️ OBSOLETE	11.89 [.468]	15.95 [.628]	19.81 [.780]	4	641525-4
⚠️ OBSOLETE	7.92 [.312]	11.99 [.472]	15.85 [.624]	3	641525-3
⚠️ OBSOLETE	3.96 [.156]	8.03 [.316]	11.89 [.468]	2	641525-2

THIS DRAWING IS A CONTROLLED DOCUMENT.

DIMENSIONS: mm [INCHES]	TOLERANCES UNLESS OTHERWISE SPECIFIED:	0 PLC ± -	1 PLC ± -	2 PLC ± 0.13 [.005]	3 PLC ± -	4 PLC ± -	ANGLES ± -
-------------------------	--	-----------	-----------	---------------------	-----------	-----------	------------

MATERIAL: SEE NOTE 1

FINISH: SEE NOTE 1

WEIGHT: 0

CUSTOMER DRAWING

DW: B. LEWIS 5-28-96

CHK: R. SWING 5-28-96

APVD: -

NAME: MTA-156 POSTED CONNECTOR ASSEMBLY, 24 AWG

SIZE: A1

CAGE CODE: 00779

DRAWING NO: 641525

RESTRICTED TO: -

SCALE: 5:1

SHEET: 1 OF 1

REV: E

单击下面可查看定价，库存，交付和生命周期等信息

[>>TE Connectivity\(泰科\)](#)