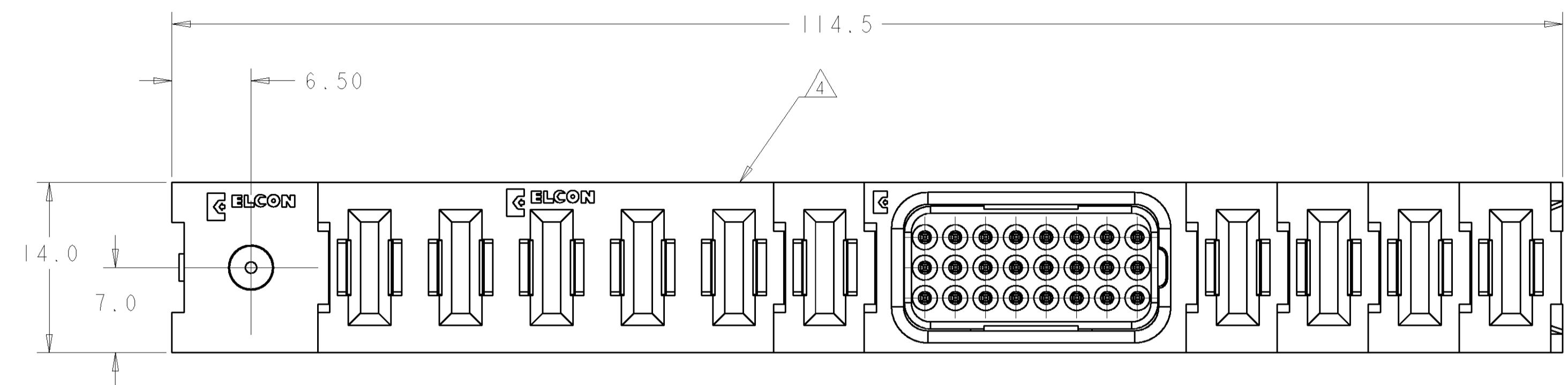


| LOC | DIST | REVISIONS | | | | | |
|-----|------|-----------|-----|-------------|-----------|-----|------|
| GP | 00 | P | LTR | DESCRIPTION | DATE | DWN | APVD |
| | | A | | NEW RELEASE | 08AUG2007 | RG | PD |



1. PART NUMBER CHANGES AND OR DESIGN CHANGES AFFECTING ITEM INTERCHANGEABILITY REQUIRE PRIOR TYCO ELECTRONICS APPROVAL AND AUTHORIZATION BY REVISION TO THIS DRAWING.

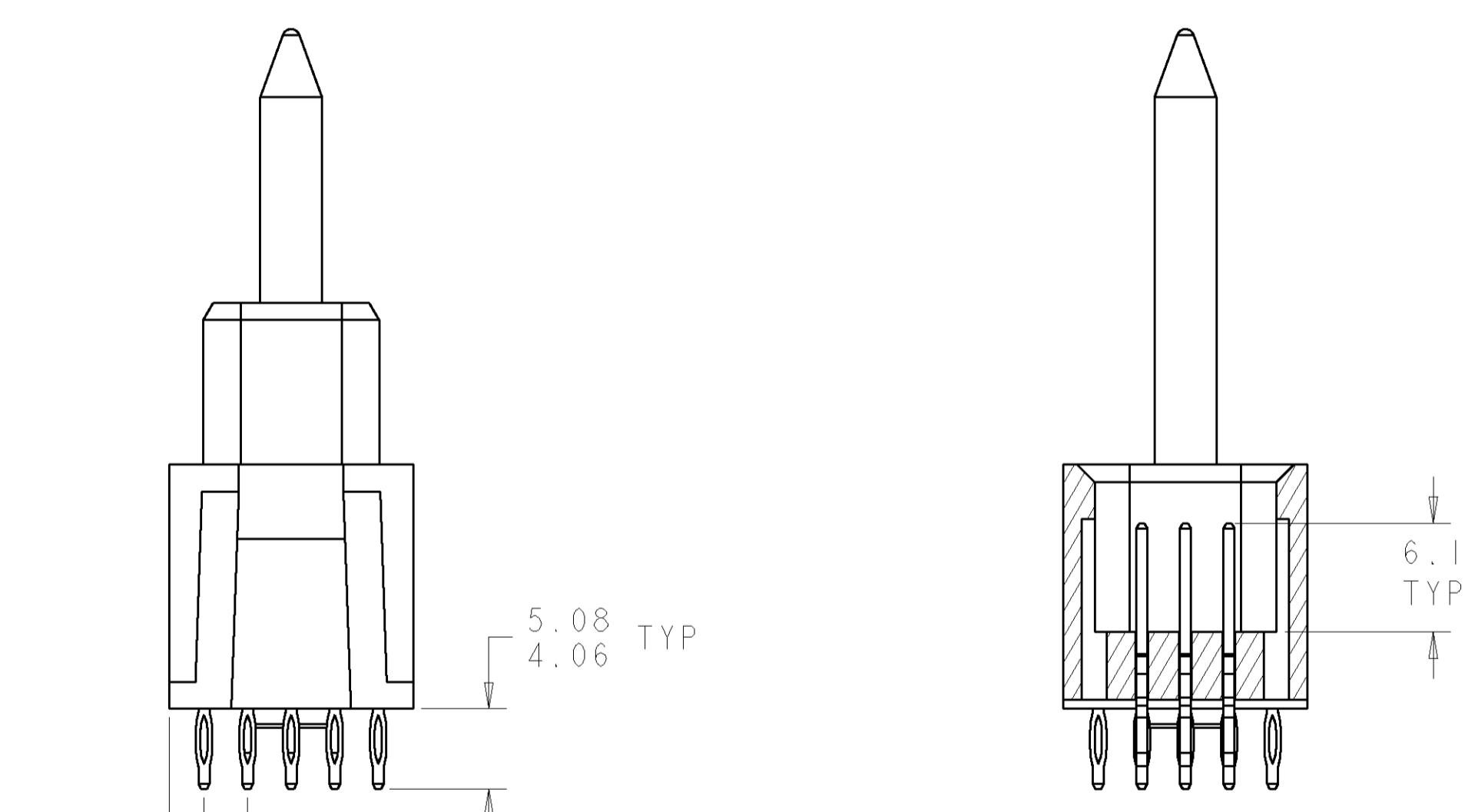
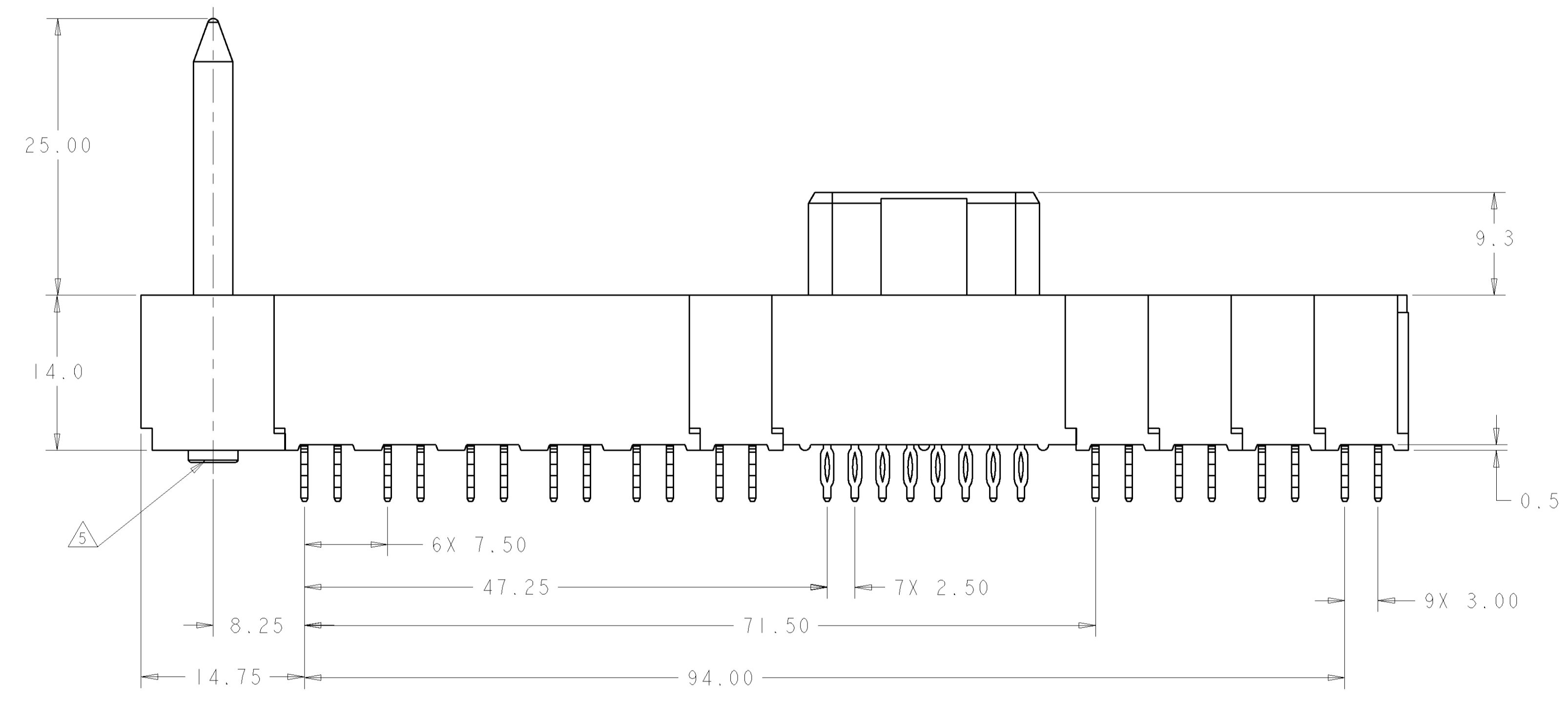
2 MATERIAL: INSULATORS - THERMOPLASTIC, GLASS REINFORCED, COLOR: BLACK UL94V-0 FLAMMABILITY RATED.
 POWER CONTACTS - PHOSPHOR BRONZE ALLOY, COPPER ALLOY
 COMPLIANT SIGNAL PIN - BRASS ALLOY
 CROWN BAND-BERYLLIUM COPPER ALLOY
 GUIDE PIN-COPPER ALLOY

3 FINISH: CONTACTS - GOLD PLATE 0.76µm MIN. THK., OVER NICKEL 1.27µm MIN. THK.
 COMPLIANT TAILS, TIN 1.02µm MIN. THK. OVER NICKEL 1.27µm MIN. THK.
 GUIDE PIN - SILVER PLATE 5.08µm MIN THK. OVER NICKEL 1.27µm MIN. THK.

4 ITEMS PROVIDED TO THIS SPECIFICATION TO BE PERMANENTLY IDENTIFIED PER THE FOLLOWING IDENTIFIER LABEL

TYCO ELECTRONICS P/N: XXXXXXX-X
 DATE CODE (e.g. 0106): YEAR XX WEEK XX

ACTIVE GUIDE PIN ACCEPTS M3 X 0.5 SCREWS (USER SUPPLIED).

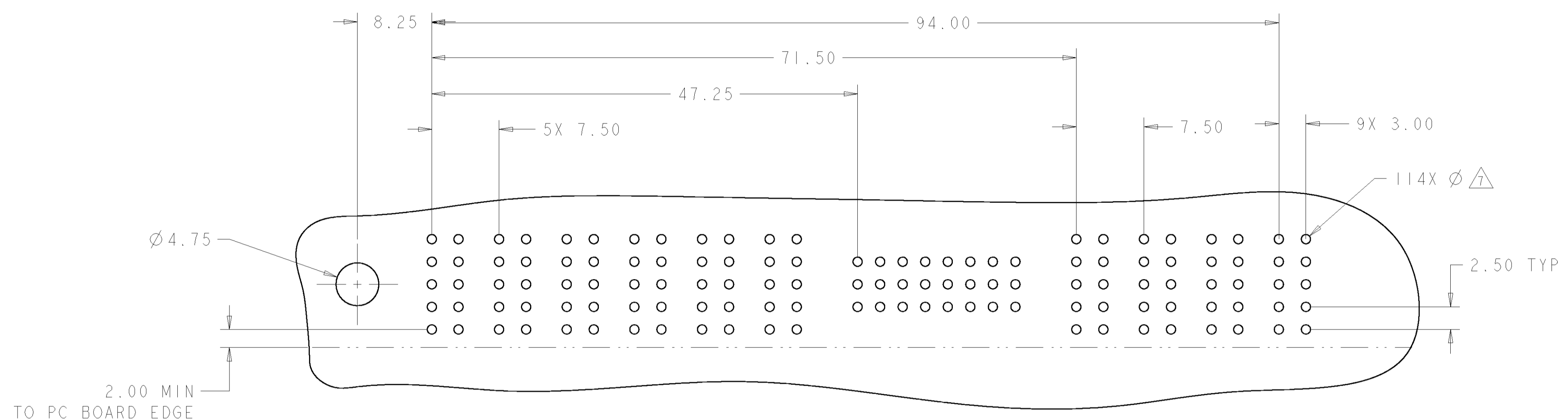


SECTION Z-Z
 GENDER CHANGER
 REMOVED
 FOR CLARITY

ELCON FLATPAQ

| | | | |
|--|--|---|--|
| AS SHOWN | | 6646495-1 | |
| DESCRIPTION | | PART NUMBER | |
| DIMENSIONS: mm TOLERANCES UNLESS OTHERWISE SPECIFIED: 0 PLC ±.5 1 PLC ±.5 2 PLC ±.25 3 PLC ±.5 4 PLC ±.5 ANGLES ±.3 FINISH - | | DWN: R. GRZYBOWSKI CHK: P. DAMATO APVD: S. FLICKINGER DATE: 08AUG2007 NAME: S. FLICKINGER PRODUCT SPEC: - APPLICATION SPEC: - WEIGHT: - CUSTOMER DRAWING: - | |
| Tyco Electronics Harrisburg, PA 17105-3608 | | SOCKET CONNECTOR STRAIGHT, COMPLIANT TAIL FLATPAQ SIZE: A100779 CAGE CODE: 6646495 SCALE: 3:1 SHEET 1 OF 3 REV A | |

| LOC | DIST | REVISIONS | | | |
|-----|------|-------------|------|-----|------|
| P | LTR | DESCRIPTION | DATE | DNW | APVD |
| GP | 00 | SEE SHEET 1 | - | - | - |
| | | | | | |
| | | | | | |

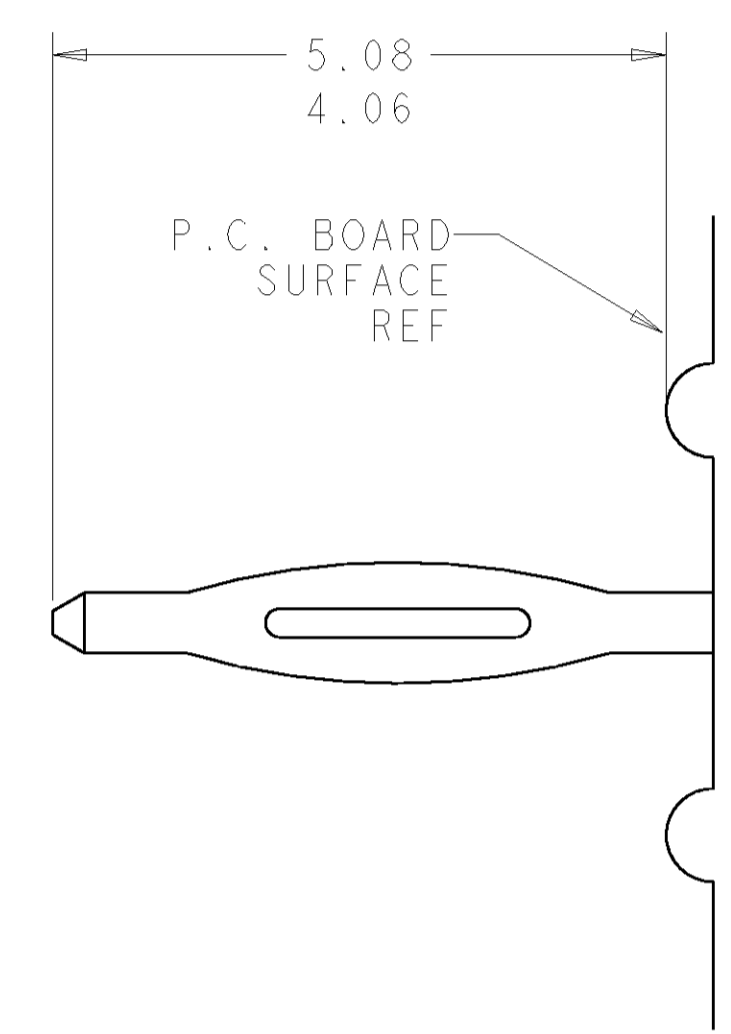


PRINTED CIRCUIT LAYOUT
 COMPONENT SIDE

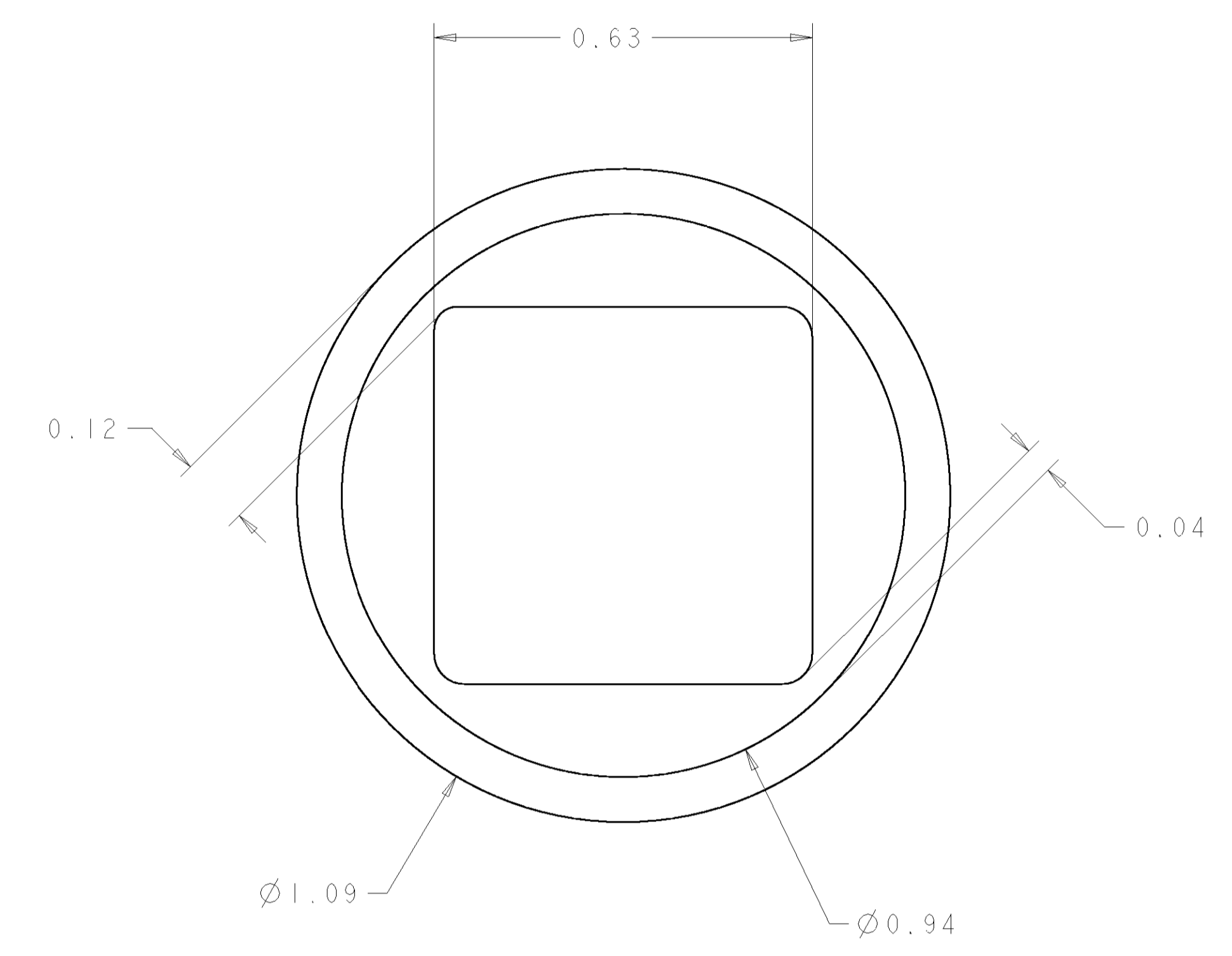
| CONNECTOR | CATALOG MODULE # | QTY | SIZE NO. | CONTACT QTY | MATING PIN | MAX. CURRENT (PER CONTACT) | CONTACT SPACING | VOLTAGE RATING |
|-----------|------------------|-----|-------------------|-------------|------------------------------|----------------------------|-----------------|----------------|
| SOCKET | FP200 | 9 | 8 | 9 | 1.25 X 7.00 [.049 X .276] | 35 amps | 7.50 [.2953] | 250 VOLTS |
| | FP401 | 1 | 8 | 24 | .64 [.025] SQ. | 3 amps | 2.50 [.0984] | 125 VOLTS |
| | FP511 | 1 | SPACER | | | | | |
| | FP515 | 1 | GUIDE PIN, ACTIVE | | | | | |

| | | | | |
|---|--|--|--|---|
| <small>THE DIMENSIONS OF CONNECTORS SPECIFIED HEREIN ARE SUBJECT TO THE FOLLOWING CONDITIONS: 1. DIMENSIONS ARE TO UNLESS OTHERWISE SPECIFIED. 2. DIMENSIONS ARE TO UNLESS OTHERWISE SPECIFIED. 3. DIMENSIONS ARE TO UNLESS OTHERWISE SPECIFIED.</small> | | DWN: B. GRZYBOWSKI ENR: P. DAMATO APVD: S. FLICKINGER | 08AUG2007 08AUG2007 08AUG2007 | Tyco Electronics Harrisburg, PA 17105-3608 |
| DIMENSIONS: mm | TOLERANCES UNLESS OTHERWISE SPECIFIED: 0 PLC ±.5 1 PLC ±.5 2 PLC ±.25 3 PLC ±.5 4 PLC ±.5 ANGLES ±.3 FINISH - | NAME: SOCKET CONNECTOR STRAIGHT, COMPLIANT TAIL FLATPAQ PRODUCT SPEC: - APPLICATION SPEC: - WEIGHT: - CUSTOMER DRAWING | SIZE: A 00779 C=6646495 SCALE: 3:1 SHEET: 2 OF 3 REV: A | RESTRICTED TO: - |

| LOC | DIST | REVISIONS | | | | | |
|-----|------|-----------|-----|-------------|------|-----|------|
| GP | 00 | P | LTR | DESCRIPTION | DATE | DWN | APVD |
| - | - | - | - | SEE SHEET 1 | - | - | - |
| | | | | | | | |
| | | | | | | | |



6. COMPLIANT PIN DETAIL
 SCALE 10 : 1
 INSERTION/EXTRACTION FORCES
 MAXIMUM PUSH IN: 133.3N PER PIN (30 LBS)
 MINIMUM PUSH OUT: 44.4N PER PIN (10 LBS)



△ SOLDER TERMINATION AREA
 SCALE 40:1
 RECOMMENDED PRINTED CIRCUIT SOLDER HOLE
 DRILLED HOLE: $\varnothing 1.15$ [0.0453] ± 0.013 [0.0005]
 COPPER PLATE: .025 [0.0010] MIN
 TIN PLATE: .008 [0.0003] MIN. (PER SURFACE)

| | | | |
|--|--|---|---|
| <small>THIS DRAWING IS UNPUBLISHED. RELEASED FOR PUBLICATION. ALL RIGHTS RESERVED. © 2000 BY TYCO ELECTRONICS CORPORATION.</small> | | DWN: R. GRZYBOWSKI ENR: P. DAMATO APVD: S. FLICKINGER | Tyco Electronics Harrisburg, PA 17105-3608 |
| DIMENSIONS: mm | TOLERANCES UNLESS OTHERWISE SPECIFIED: 0 PLC ±.5 1 PLC ±.5 2 PLC ±.25 3 PLC ±.25 4 PLC ±.25 ANGLES ±.3 FINISH - | 08AUG2007 08AUG2007 08AUG2007 | NAME: SOCKET CONNECTOR STRAIGHT, COMPLIANT TAIL FLATPAQ SIZE: A 00779 C=6646495 SCALE: 3:1 SHEET 3 OF 3 REV A |
| MATERIAL: - | FINISH: - | WEIGHT: - | CUSTOMER DRAWING |

单击下面可查看定价，库存，交付和生命周期等信息

[>>TE Connectivity\(泰科\)](#)