

PART NUMBER	REVISION	DESCRIPTION	FEED TYPE
2151493-1	G	FINE CRIMP HEIGHT ADJUST	MECHANICAL
2151493-2	H	FINE CRIMP HEIGHT ADJUST	PNEUMATIC
3-2151493-2	J	FINE CRIMP HEIGHT ADJUST	DOUBLE ACTING PNEUMATIC WITH SENSORS
5-2151493-1	G	SEAL STRIPPER CRIMPER TERMINATING UNIT	MECHANICAL
5-2151493-2	H	SEAL STRIPPER CRIMPER TERMINATING UNIT	PNEUMATIC
7-2151493-1	G	MECHANICAL AND CRIMP TOOLING KIT	MECHANICAL
7-2151493-2	H	PNEUMATIC AND CRIMP TOOLING KIT	PNEUMATIC
7-2151493-7	A	CRIMP TOOLING KIT	-

APPLICATOR DATA		
CRIMP	SIZE	TYPE
WIRE	1.40 mm [.055]	F
INSUL	1.83 mm [.072]	O
APPLICATOR INSTRUCTIONS 408-35042		

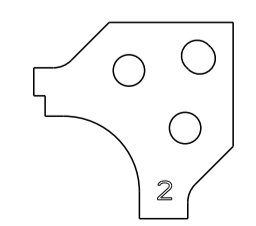
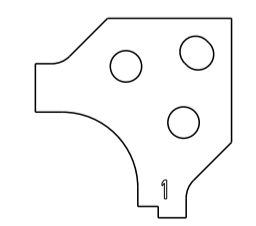
TERMINAL DATA: TE TERMINAL TE CRIMP SPECIFICATION  
TERMINAL NAME: MICRO QUADOCK SYSTEM

WIRE STRIP LENGTH	INSULATION DIAMETER RANGE
3.45-3.75 mm [.136-.148 IN]	Ø 1.10-1.60 mm [.043-.063 IN]
TERMINAL APPLICATION SPECIFICATION (A) 114-18021	(B) 114-61024

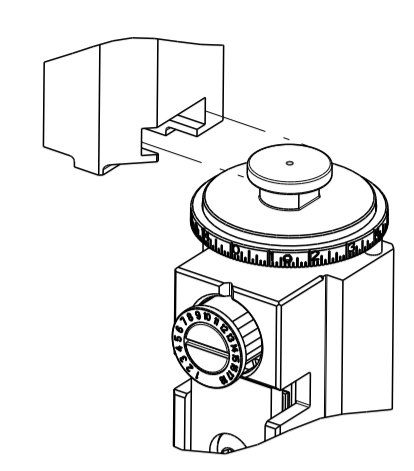
GROUP 1		GROUP 2	
TE TERMINAL	TE TERMINAL	TE TERMINAL	TE TERMINAL
(A) 928999-1	(A) 5-928918-2	(A) 968220-1	(A) 1703296-1
(A) 928999-5	(A) 5-928918-1	(A) 968220-5	(A) 1703296-5
(A) 928999-6	(A) 6-928918-1	(A) 968220-6	(A) 1534116-1
(A) 5-928999-1	(A) 6-928918-2	(A) 5-968220-1	(A) 1534116-2
(A) 968893-1	(A) 6-928918-3	(A) 5-968220-5	(A) 5-1534116-1
(A) 928918-1	(A) 1394702-1	(A) 5-968220-6	(A) 5-1534116-2
(A) 928918-2	(A) 1394702-2	(B) 2005119-1	(A) 1241918-1
(A) 1-928918-1	(A) 5-928999-5		
(A) 1-928918-2	(A) 5-928999-6		
(A) 5-1394702-1	(A) 6-928999-5		
(A) 5-1394702-2	(A) 5-968893-1		

WIRE SIZE	CRIMP HEIGHT mm [INCH]	CRIMP HEIGHT REFERENCE SETTING
Ø 0.50mm2	0.86 +/- 0.03 [.034 +/- .001]	9.0
Ø 0.35mm2	0.76 +/- 0.03 [.030 +/- .001]	9.9
Ø 22 AWG	0.76 +/- 0.03 [.030 +/- .001]	9.9
Ø 0.25mm2	0.72 +/- 0.03 [.028 +/- .001]	10.4

- RECOMMENDED SPARE PARTS
- REFER TO SUPPLIED INSTRUCTION SHEET FOR CLEANING, LUBRICATION & STORAGE OF APPLICATOR.
- APPLY PART NUMBER 1-23419-5 LOCTITE TO THREADS OF ITEM 180. APPLY PART NUMBER 2-23419-6 LOCTITE TO THREADS OF ITEM 242.
- CRIMP HEIGHT REFERENCE SETTING WAS THE SETTING USED WHEN THE APPLICATOR WAS QUALIFIED AT THE FACTORY. ADJUSTMENT MAY BE NECESSARY WHEN RUNNING APPLICATOR IN THE FIELD.
- REFER TO APPLICATION SPECIFICATION, 114-18021, PAGE 8, NOTE 3 CONCERNING CRIMPING 0.50mm<sup>2</sup> WIRE.
- POSITION THE HOLD DOWN, ITEM 18, IN ORIENTATION 1 FOR GROUP 1 TERMINALS. REFER TO SHEET 2.
- POSITION THE HOLD DOWN, ITEM 18, IN ORIENTATION 2 FOR GROUP 2 TERMINALS. REFER TO SHEET 2.



ATLANTIC VERSION TERMINATOR INTERFACE ADAPTER



- THIS CRIMP PARAMETER IS PROVIDED TO MEET A CUSTOM AND UNIQUE CUSTOMER REQUIREMENT. IT HAS BEEN EVALUATED AND IS CONDITIONALLY SPECIFIED BY TE CONNECTIVITY. THIS CUSTOMIZED CRIMP PARAMETER IS NOT LISTED AS AN APPROVED APPLICATION WITHIN A TE CONNECTIVITY APPLICATION SPECIFICATION. **TE CONNECTIVITY EXPRESSLY DISCLAIMS ANY AND ALL WARRANTIES THAT THE PRODUCT WILL PERFORM SIMILARLY TO VALIDATED AND APPROVED APPLICATIONS, AS STATED WITHIN THE CONNECTIVITY APPLICATION SPECIFICATIONS, INCLUDING BUT NOT LIMITED TO IMPLIED WARRANTIES OF MERCHANTABILITY OR FITNESS FOR PARTICULAR PURPOSE.** AS SUCH, IT IS HIGHLY RECOMMENDED THAT THE CUSTOMER PERFORM FURTHER DETAILED EVALUATION TO ASSESS PRODUCT PERFORMANCE IN THE SPECIFIC APPLICATION.
- 9. UNLESS SPECIFIED OTHERWISE TORQUE VALUES SHALL BE USED PER DOCUMENT, 101-35000.
- THIS APPLICATOR IS EQUIPPED WITH THE DOUBLE ACTING FEED WITH SENSORS AND IS APPLICATION SPECIFIC. IT DOES NOT REQUIRE ITEMS 49 & 248.

ATLANTIC VERSION  
Shown on sheets 1 of 4 & 2 of 4  
(Pacific version shown on sheets 3 of 4 & 4 of 4)

LOC	DIST	REVISONS			
A	66				
P	LTM	DESCRIPTION	DATE	OWN	APPD
H2		ECR-20-013038	15SEP2020	FJ	TE
H3		ECR-20-013836	28SEP2020	JWC	TE
H4		ECR-21-000640	19JAN2021	FJ	YY
J		ECR-21-109886	11AUG2021	JWC	RK

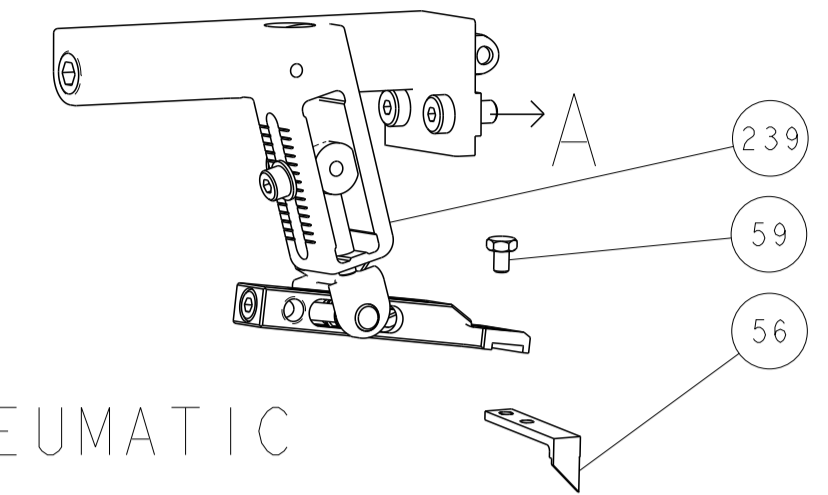
												ITEM NO
-	-	-	1	1	-	-	-	1803515-3	RAM ASSEMBLY, SF ATLANTIC			293
-	-	-	1	1	-	-	-	2-1803583-1	APPLICATOR BASIC ASSEMBLY, SF			292
-	-	-	-	-	1	-	-	2844950-1	AIR FEED MODULE			290
-	1	-	1	-	-	1	-	2119641-1	FEED CAM, AIR FEED			248
-	1	1	1	1	1	1	1	2119082-5	CAM, SNAIL, INSULATION ADJUSTMENT			244
-	1	1	1	1	1	1	1	2079764-1	WASHER, WAVE SPRING, CREST-TO-CREST			243
-	1	1	1	1	1	1	1	2119083-1	RETAINER, INSULATION DIAL			242
-	1	1	1	1	1	1	1	7-18023-7	SCR, SKT HD CAP M3 X 4.0			241
-	-	1	-	1	-	-	1	2119580-1	MECHANICAL FEED ASSEMBLY			239
-	1	-	1	-	-	1	-	2844940-1	AIR FEED MODULE			238
-	-	-	1	1	-	-	-	4-1722335-3	STRIPPER, SIDE FEED			182
-	-	-	1	1	-	-	-	1-5018030-0	NUT, HEX, REG, RoHS, M3.5			181
-	-	-	1	1	-	-	-	1-1752354-7	STANDOFF, HOLD-DOWN			180
-	-	-	1	1	-	-	-	993111-1	PIN, SLOTTED SPRING 3.0 X 20.0			177
-	-	-	1	1	-	-	-	5-22280-0	SPRING, COMPRESSION			176
-	-	-	1	1	-	-	-	1752353-3	GUIDE PIN, HOLDDOWN			175
-	-	-	1	1	-	-	-	1901680-2	GUIDE PIN, HOLDDOWN			174
-	REF	REF	REF	REF	REF	REF	REF	994970-2	COUNTER, MAGNETIC			164
-	1	1	1	1	1	1	1	2844908-1	SCREW, LOCKING			99
-	1	1	1	1	1	1	1	2844907-1	POST, LOCKING			98
-	1	1	1	1	1	1	1	1-690438-0	FRONT STRIP GUIDE			96
-	2	2	2	2	2	2	2	2168083-1	SCR, SKT HD CAP, RoHS, M3 X 8.0			95
-	1	1	1	1	1	1	1	455888-5	SPACER, CRIMPER			82
-	1	1	1	1	1	1	1	1-240641-3	SPACER			81
-	2	2	2	2	2	2	2	2168083-1	SCR, SKT HD CAP, RoHS, M3 X 8.0			79
-	1	1	1	1	1	1	1	1633782-2	FENCE			78
-	1	1	1	1	1	1	1	1803607-3	DOCUMENTATION PACKAGE			71
-	1	1	1	1	1	1	1	2119791-5	DEPRESSOR, WIRE			70
-	1	1	1	1	1	1	1	2119943-1	WASHER, SPACER			69
-	1	1	1	1	1	1	1	2119740-1	TAG, IDENTIFICATION			67
-	2	2	2	2	2	2	2	2168078-1	SCREW, DRIVE, RH, RoHS, 2 x .188			66
-	2	2	2	2	2	2	2	2-18032-5	SCR, SET, FLT PNT, M5 X 20.0			61
-	1	1	1	1	1	1	1	2168083-2	SCR, SKT HD CAP, RoHS, M4 X 8.0			60
-	1	1	1	1	1	1	1	5-18022-5	SCR, HEX HD CAP, M4 X 6.0			59
-	1	1	1	1	1	1	1	1338685-1	PAWL, FEED			56
-	4	4	4	4	4	4	4	2168083-3	SCR, SKT HD CAP, RoHS, M4 X 12.0			54
-	2	2	2	2	2	2	2	2168083-2	SCR, SKT HD CAP, RoHS, M4 X 8.0			53
-	1	2	1	2	-	1	2	18023-9	SCR, SKT HD CAP M4 X 6.0			49
-	-	1	-	1	-	-	1	2119652-1	FEED CAM, PRE FEED			48
-	-	1	-	1	-	-	1	2119653-1	FEED CAM, POST FEED			47
-	1	1	-	-	1	1	1	1803583-9	APPLICATOR BASIC ASSEMBLY, SF			46
-	1	1	-	-	1	1	1	1803515-1	RAM ASSEMBLY, SF ATLANTIC			44
-	1	1	1	1	1	1	1	1803602-1	SCR, BHSC, RoHS (M8 X 25)			41
-	1	1	1	1	1	1	1	1752356-6	SUPPORT, TERMINAL			34
-	2	2	2	2	2	2	2	2079383-5	SCR, BHSC, RoHS (M4 X 20)			33
-	2	2	2	2	2	2	2	2-2844962-4	SPACER, CYLINDRICAL, STRIP GUIDE			30
-	1	1	1	1	1	1	1	2844992-3	ASSEMBLY, STRIP GUIDE			29
-	1	1	1	1	1	1	1	1-455888-0	SPACER, CRIMPER			28
-	2	2	2	2	2	2	2	22283-1	SPRING, COMPRESSION			27
-	1	1	1	1	1	1	1	356835-1	LEVER, DRAG RELEASE			26
-	1	1	1	1	1	1	1	240792-1	DRAG, TERMINAL			25
-	1	1	1	1	1	1	1	1320928-2	STRIP GUIDE			24
-	1	1	1	1	1	1	1	980371-4	SCR, SKT HD SHLDR 5.0 DIA X 6.0			23
-	1	1	-	-	1	1	1	2168083-2	SCR, SKT HD CAP, RoHS, M4 X 8.0			21
-	2	2	1	1	2	2	2	1-18028-2	WASHER, FLAT, REG M4			20
-	1	1	-	-	1	1	1	2119533-1	STRIPPER, SIDE FEED			19
-	1	1	1	1	1	1	1	1803155-1	HOLD DOWN, TERMINAL			18
-	1	1	1	1	1	1	1	2119806-1	INSERT, SHEAR			13
-	1	1	1	1	1	1	1	3-22280-3	SPRING, COMPRESSION			12
-	1	1	1	1	1	1	1	1-356885-4	STOP, SHEAR			11
-	1	1	1	1	1	1	1	2119805-1	SHEAR HOLDER, FRONT			10
-	1	1	1	1	1	1	1	1803095-1	FLOATING SHEAR, FRONT			9
1	2	2	1	1	1	1	1	1-1338690-2	ANVIL, COMBINATION .055			8
-	1	1	1	1	1	1	1	4-240641-2	SPACER			7
-	1	1	1	1	1	1	1	2119757-4	DEPRESSOR, SHEAR			5
-	1	1	1	1	1	1	1	238011-8	BLOCK, CRIMPER SPACER			4
1	2	2	1	1	1	1	1	2119784-2	CRIMPER, INSULATION O PREMIUM			3
-	1	1	1	1	1	1	1	455888-1	SPACER, CRIMPER			2
1	2	2	1	1	1	1	1	1-562108-5	CRIMPER, WIRE, F			1

DIMENSIONS:		TOLERANCES UNLESS OTHERWISE SPECIFIED:	
mm	0 PLC ±	1 PLC ±	2 PLC ±
	3 PLC ±	4 PLC ±	ANGLES ±
MATERIAL:		FINISH:	
DLN GROSS 02SEP2011		CHK G. BAILEY 02SEP2011	
APVD J. CRUZ 02SEP2011		NAME Ocean Side Feed Applicator	
PRODUCT SPEC		APPLICATION SPEC	
SIZE	CAGE CODE	DRAWING NO	RESTRICTED TO
A1	00779	C=2151493	
Customer Accessible Production Drawing		SCALE	SHEET 1 of 4
		REV	J

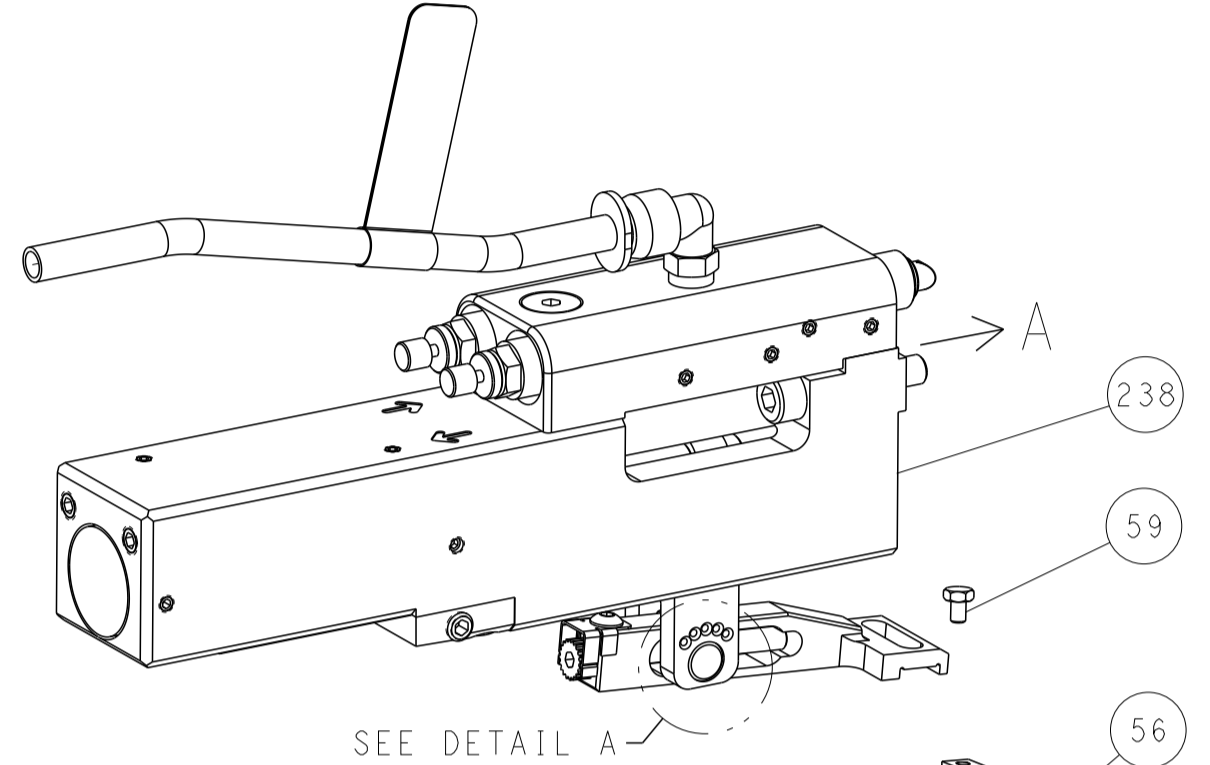
LOC	DIST	REV	DATE	BY	APPV
A	66				

REVISIONS			
NO.	DESCRIPTION	DATE	BY
1	SEE SHEET 1		

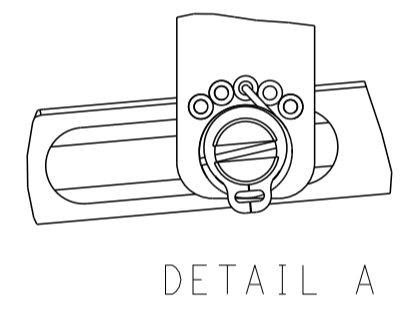
### FEED TYPE MECHANICAL



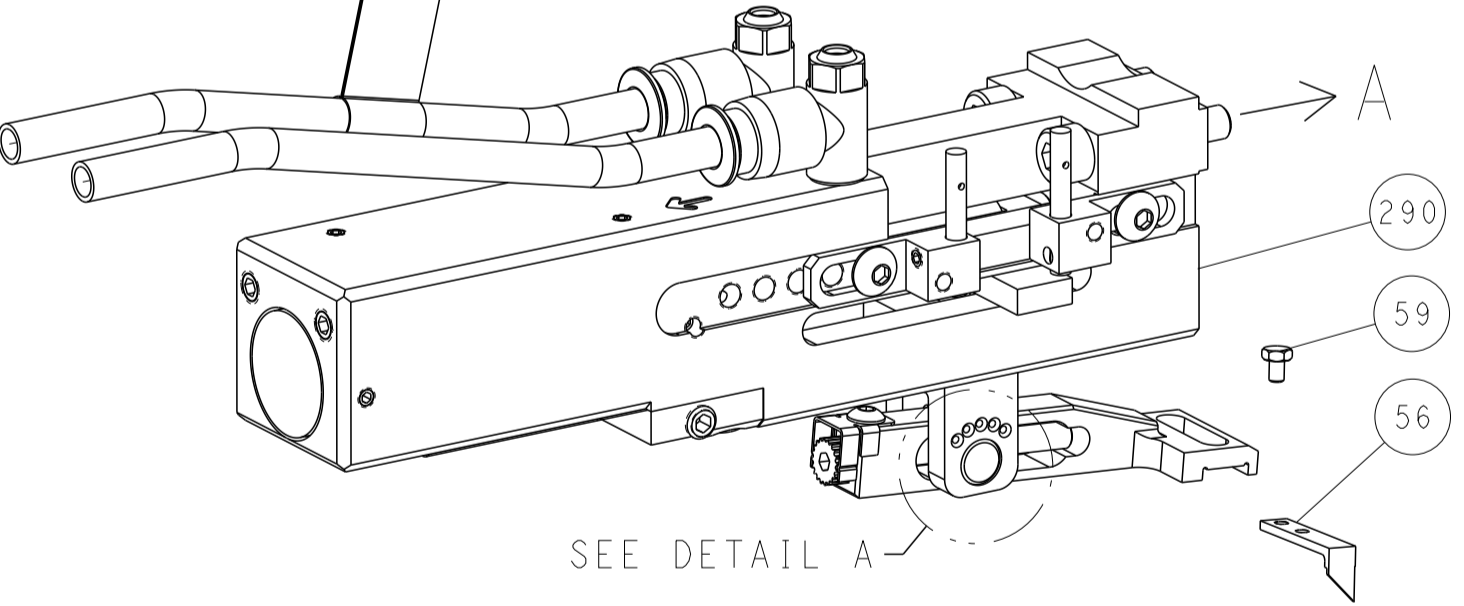
### PNEUMATIC



SEE DETAIL A  
 FEED SPRING SETTING POSITION  
 (SHOWN FROM REAR SIDE)

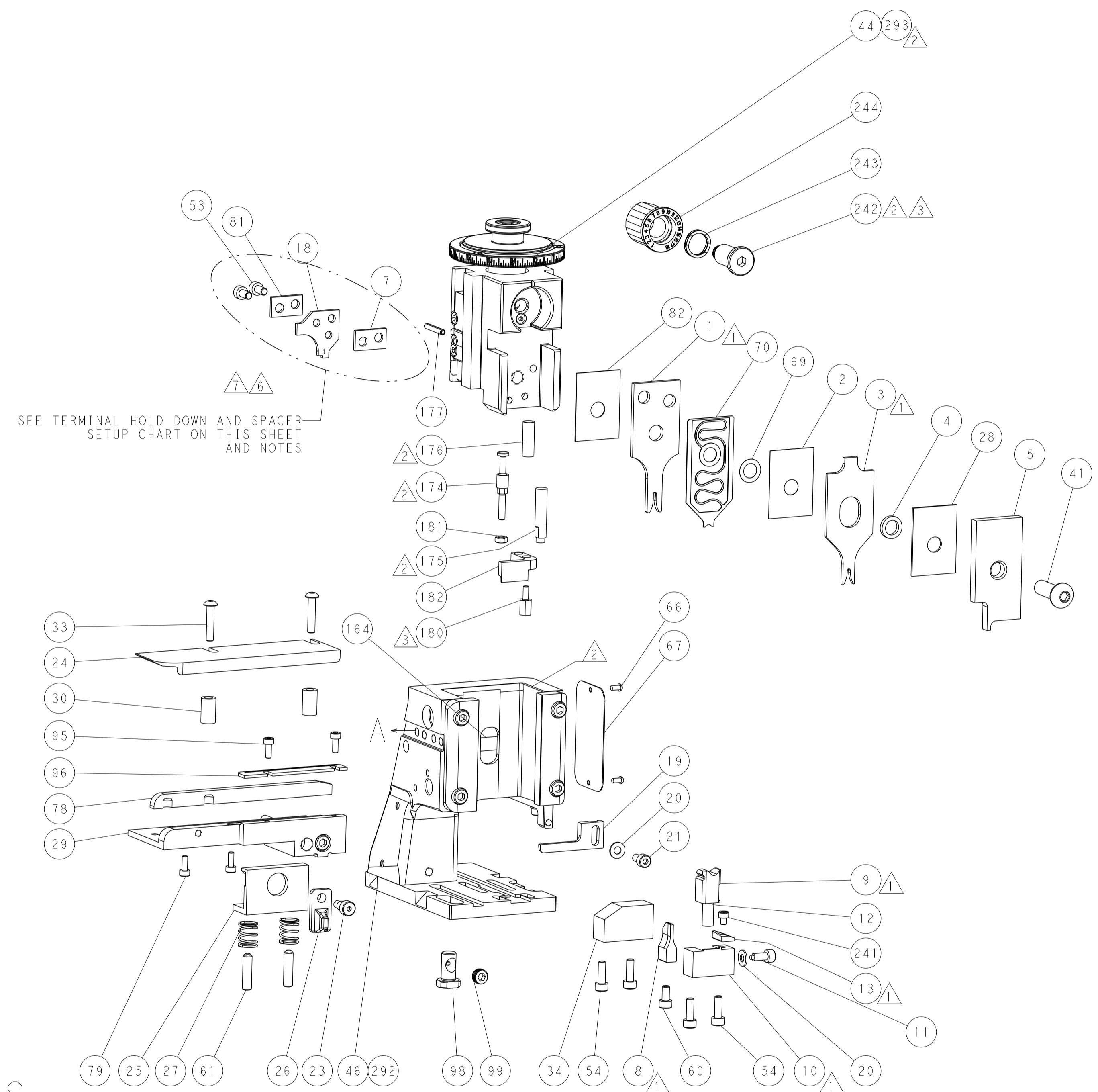
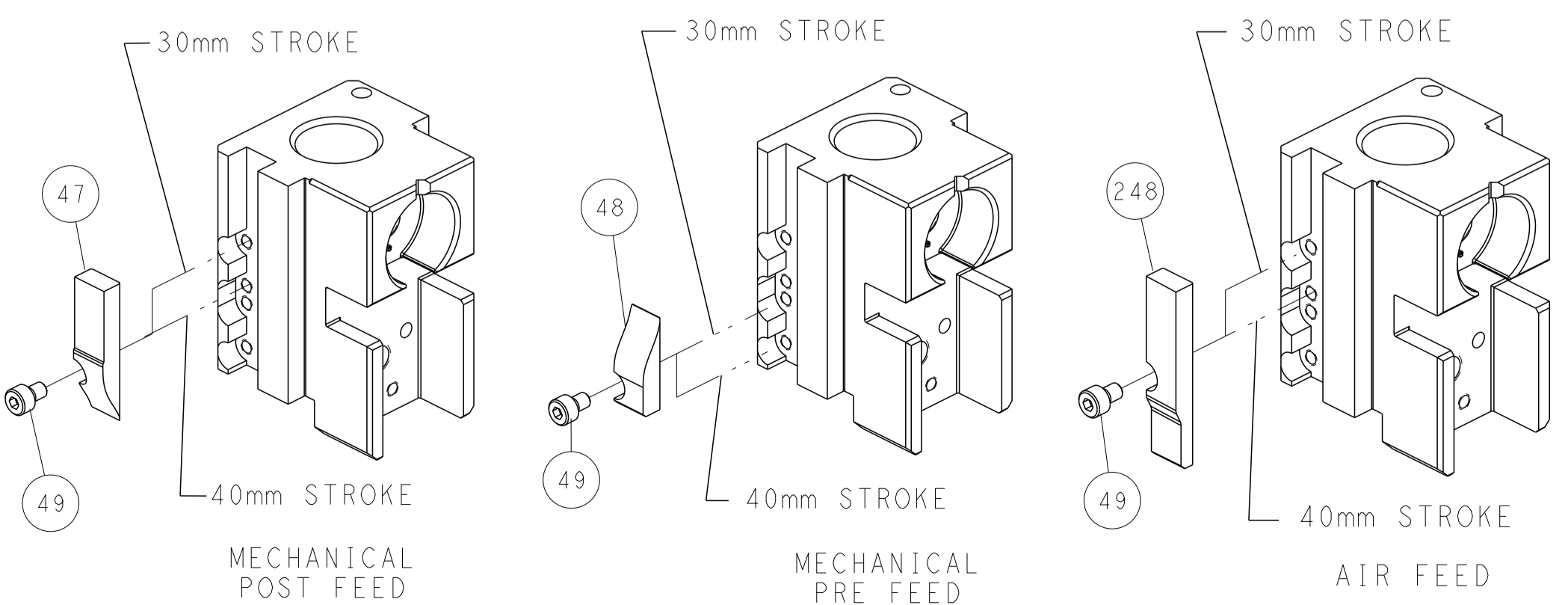


### DOUBLE ACTING PNEUMATIC WITH SENSORS



SEE DETAIL A

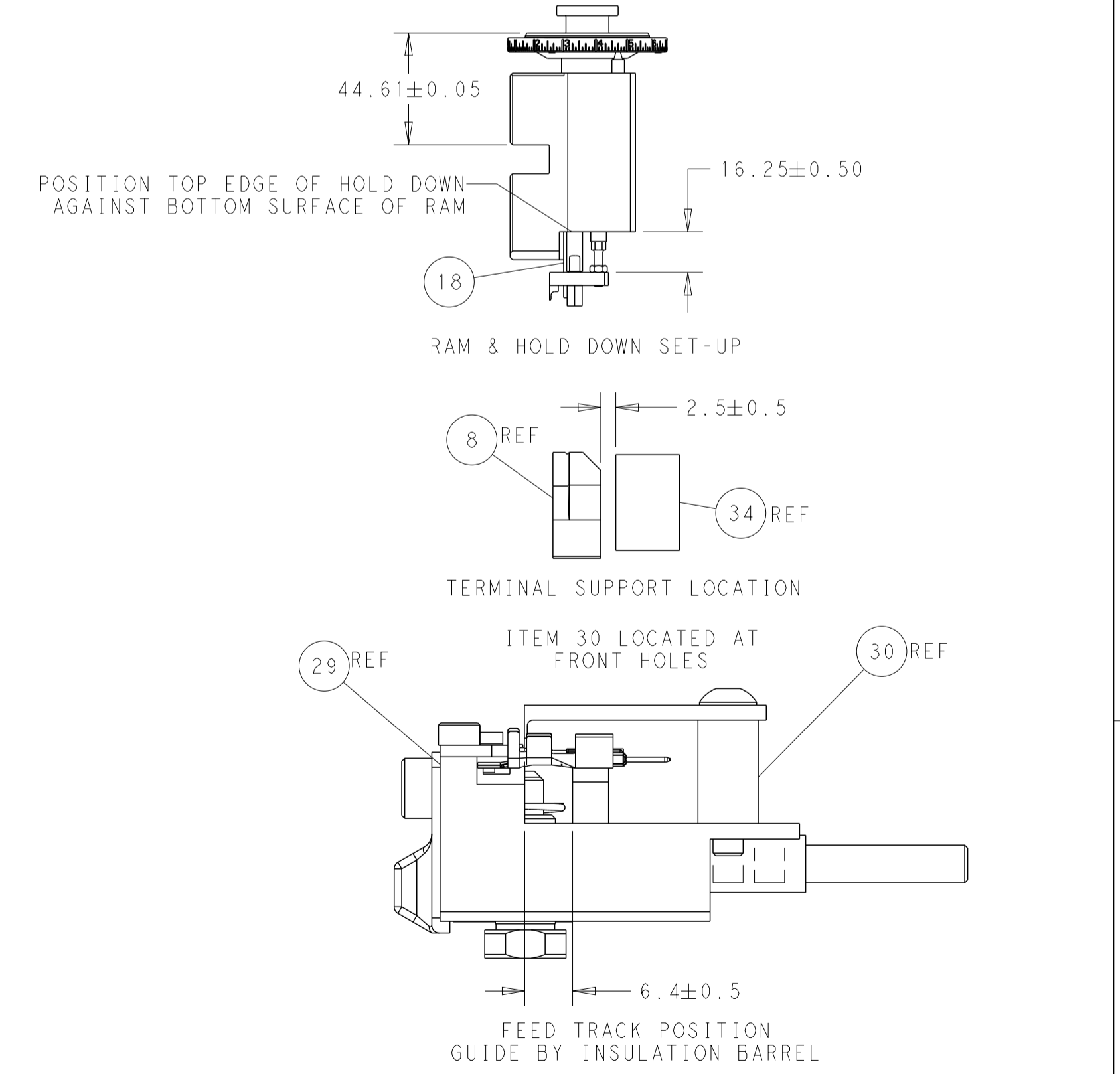
### CAM POSITIONS



SEE TERMINAL HOLD DOWN AND SPACER SETUP CHART ON THIS SHEET AND NOTES

### TERMINAL HOLD DOWN & SPACER SETUP CHART

GROUP	HOLD DOWN & SPACER TOOLING SETUP FOR TERMINALS:	POSITION
GROUP 1	928999-1 2-928918-2 928999-5 3-928918-2 928999-6 5-928918-1 5-928999-1 6-928918-1 6-928999-5 6-928918-2 928918-1 6-928918-3 928918-2 1394702-1 1-928918-1 1394702-2 1-928918-2 5-1394702-1 5-1394702-2	POSITION 1
	968893-1	POSITION 1
GROUP 2	968220-1 5-968220-6 968220-5 1703296-1 968220-6 1703296-5 5-968220-1 1534116-1 5-968220-5 1534116-2 5-968220-5 5-1534116-1 5-1534116-2	POSITION 2
	1241918-1	POSITION 2

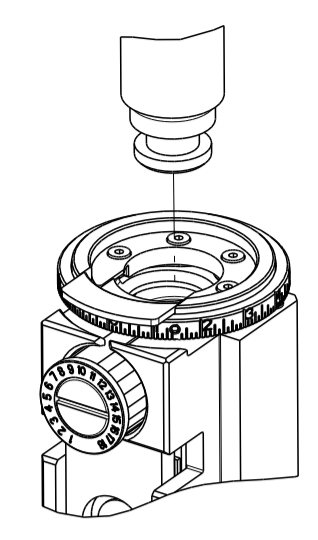


**ATLANTIC VERSION**  
 Shown on sheets 1 of 4 & 2 of 4  
 (Pacific version shown on sheets 3 of 4 & 4 of 4)

DIMENSIONS: mm 		TOLERANCES UNLESS OTHERWISE SPECIFIED: 0 PLC ± 1 PLC ± 3 PLC ± 4 PLC ± ANGLES ±		DWN L. GROSS 02SEP2011 CHK G. BAILEY 02SEP2011 APVD J. CRUZ 02SEP2011 PRODUCT SPEC APPLICATION SPEC WEIGHT Customer Accessible Production Drawing		NAME Ocean Side Feed Applicator SIZE CAGE CODE DRAWING NO. A1 00779 C=2151493 SCALE 1:2 SHEET 2 OF 4 REV J	
--------------------	--	--	--	---	--	--	--

PART NUMBER	REVISION	DESCRIPTION	FEED TYPE
2-2151493-1	G	FINE CRIMP HEIGHT ADJUST	MECHANICAL
2-2151493-2	H	FINE CRIMP HEIGHT ADJUST	PNEUMATIC
4-2151493-2	J	FINE CRIMP HEIGHT ADJUST	DOUBLE ACTING PNEUMATIC WITH SENSORS
7-2151493-7	A	CRIMP TOOLING KIT	-

PACIFIC VERSION TERMINATOR INTERFACE ADAPTER



APPLICATOR DATA

CRIMP	SIZE	TYPE
WIRE	1.40 mm [.055]	F
INSUL	1.83 mm [.072]	O

APPLICATOR INSTRUCTIONS  
408-35042

TERMINAL DATA: TE TERMINAL TE CRIMP SPECIFICATION

TERMINAL NAME: MICRO QUADOCK SYSTEM

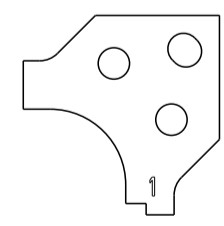
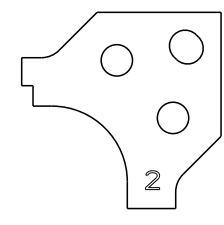
WIRE STRIP LENGTH	INSULATION DIAMETER RANGE
3.45-3.75 mm [.136-.148 IN]	∅ 1.10-1.60 mm [.043-.063 IN]

TERMINAL APPLICATION SPECIFICATION (A) 114-18021 (B) 114-61024

TERMINALS APPLIED

GROUP 1		GROUP 2	
TE TERMINAL	TE TERMINAL	TE TERMINAL	TE TERMINAL
(A) 928999-1	(A) 5-928918-2	(A) 968220-1	(A) 1703296-1
(A) 928999-5	(A) 5-928918-1	(A) 968220-5	(A) 1703296-5
(A) 928999-6	(A) 6-928918-1	(A) 968220-6	(A) 1534116-1
(A) 5-928999-1	(A) 6-928918-2	(A) 5-968220-1	(A) 1534116-2
(A) 968893-1	(A) 6-928918-3	(A) 5-968220-5	(A) 5-1534116-1
(A) 928918-1	(A) 1394702-1	(A) 5-968220-6	(A) 5-1534116-2
(A) 928918-2	(A) 1394702-2	(B) 2005119-1	(A) 1241918-1
(A) 1-928918-1	(A) 5-928999-5		
(A) 1-928918-2	(A) 5-928999-6		
(A) 5-1394702-1	(A) 6-928999-5		
(A) 5-1394702-2	(A) 5-968893-1		

WIRE SIZE	CRIMP HEIGHT mm [INCH]	CRIMP HEIGHT REFERENCE SETTING
0.50mm2	0.86+/-0.03 [.034+/-0.001]	9.0
0.35mm2	0.76+/-0.03 [.030+/-0.001]	9.9
22 AWG	0.76+/-0.03 [.030+/-0.001]	9.9
0.25mm2	0.72+/-0.03 [.028+/-0.001]	10.4

- 1 RECOMMENDED SPARE PARTS
  - 2 REFER TO SUPPLIED INSTRUCTION SHEET FOR CLEANING, LUBRICATION & STORAGE OF APPLICATOR.
  - 3 APPLY PART NUMBER 2-23419-6 LOCTITE TO THREADS OF ITEM 242.
  - 4 CRIMP HEIGHT REFERENCE SETTING WAS THE SETTING USED WHEN THE APPLICATOR WAS QUALIFIED AT THE FACTORY. ADJUSTMENT MAY BE NECESSARY WHEN RUNNING APPLICATOR IN THE FIELD.
  - 5 REFER TO APPLICATION SPECIFICATION, 114-18021, PAGE 8, NOTE 3 CONCERNING CRIMPING 0.50mm<sup>2</sup> WIRE.
  - 6 POSITION THE HOLD DOWN, ITEM 18, IN ORIENTATION 1 FOR GROUP 1 TERMINALS. REFER TO SHEET 4.
- 
- 
- 7 POSITION THE HOLD DOWN, ITEM 18, IN ORIENTATION 2 FOR GROUP 2 TERMINALS. REFER TO SHEET 4.

- 8 THIS CRIMP PARAMETER IS PROVIDED TO MEET A CUSTOM AND UNIQUE CUSTOMER REQUIREMENT. IT HAS BEEN EVALUATED AND IS CONDITIONALLY SPECIFIED BY TE CONNECTIVITY. THIS CUSTOMIZED CRIMP PARAMETER IS NOT LISTED AS AN APPROVED APPLICATION WITHIN A TE CONNECTIVITY APPLICATION SPECIFICATION. **TE CONNECTIVITY EXPRESSLY DISCLAIMS ANY AND ALL WARRANTIES THAT THE PRODUCT WILL PERFORM SIMILARLY TO VALIDATED AND APPROVED APPLICATIONS, AS STATED WITHIN TE CONNECTIVITY APPLICATION SPECIFICATIONS, INCLUDING BUT NOT LIMITED TO IMPLIED WARRANTIES OF MERCHANTABILITY OR FITNESS FOR PARTICULAR PURPOSE.** AS SUCH, IT IS HIGHLY RECOMMENDED THAT THE CUSTOMER PERFORM FURTHER DETAILED EVALUATION TO ASSESS PRODUCT PERFORMANCE IN THE SPECIFIC APPLICATION.
- 9. UNLESS SPECIFIED OTHERWISE TORQUE VALUES SHALL BE USED PER DOCUMENT, 101-35000.
- 10 THIS APPLICATOR IS EQUIPPED WITH THE DOUBLE ACTING FEED WITH SENSORS AND IS APPLICATION SPECIFIC. IT DOES NOT REQUIRE ITEMS 49 & 151.

ENTRY LEVEL APPLICATOR ITEM SUBSTITUTION LIST

PART NUMBER	SAME AS	ITEM	ITEM DESCRIPTION	SUBSTITUTE PART NUMBER
8-2151493-1	2151493-1	1	WIRE CRIMPER	1-1803529-5
8-2151493-2	2151493-2	3	INSULATION CRIMPER	1803604-2
9-2151493-1	2-2151493-1	46	BASIC SUB -ASSEMBLY	1803940-9
9-2151493-2	2-2151493-2	141	BASIC SUB -ASSEMBLY	1-1803940-0
			LUBRICATOR	DELETE

PACIFIC VERSION  
 Shown on sheets 3 of 4 & 4 of 4  
 (Atlantic version shown on sheets 1 of 4 & 2 of 4)

LOC DIST A 66

REV	DATE	DESCRIPTION	DATE	BY	APPD
-	-	SEE SHEET 1	-	-	-

-	1	-	-	2844950-1	AIR FEED MODULE	290
-	1	1	1	2119082-5	CAM, SNAIL, INSULATION ADJUSTMENT	244
-	1	1	1	2079764-1	WASHER, WAVE SPRING, CREST-TO-CREST	243
-	1	1	1	2119083-1	RETAINER, INSULATION DIAL	242
-	1	1	1	7-18023-7	SCR, SKT HD CAP M3 X 4.0	241
-	-	-	1	2119580-1	MECHANICAL FEED ASSEMBLY	239
-	-	-	1	2844940-1	AIR FEED MODULE	238
-	REF	REF	REF	994970-2	COUNTER, MAGNETIC	164
-	-	1	-	2119641-2	FEED CAM, AIR FEED	151
-	1	1	1	2168083-8	SCR, SKT HD CAP, RoHS, M4 X 16	144
-	4	4	4	2168083-9	SCR, SKT HD CAP, RoHS, M4 X 20	143
-	-	-	1	2119653-2	FEED CAM, POST FEED	142
-	1	1	1	1-1803583-0	APPLICATOR BASIC ASSEMBLY, SF	141
-	1	1	1	1803516-1	RAM ASSEMBLY, SF PACIFIC	140
-	1	1	1	2844908-1	SCREW, LOCKING	99
-	1	1	1	2844907-1	POST, LOCKING	98
-	1	1	1	1-690438-0	FRONT STRIP GUIDE	96
-	2	2	2	2168083-1	SCR, SKT HD CAP, RoHS, M3 X 8.0	95
-	1	1	1	455888-5	SPACER, CRIMPER	82
-	1	1	1	1-240641-3	SPACER	81
-	2	2	2	2168083-1	SCR, SKT HD CAP, RoHS, M3 X 8.0	79
-	1	1	1	1633782-2	FENCE	78
-	1	1	1	1803607-3	DOCUMENTATION PACKAGE	71
-	1	1	1	2119791-5	DEPRESSOR, WIRE	70
-	1	1	1	2119943-1	WASHER, SPACER	69
-	1	1	1	2119740-1	TAG IDENTIFICATION	67
-	2	2	2	2168078-1	SCREW, DRIVE, RH, RoHS, 2 x .188	66
-	2	2	2	2-18032-5	SCR, SET, FLT PNT, M5 X 20.0	61
-	1	1	1	5-18022-5	SCR, HEX HD CAP, M4 X 6.0	59
-	1	1	1	1338685-1	PAWL, FEED	56
-	2	2	2	2168083-2	SCR, SKT HD CAP, RoHS, M4 X 8.0	53
-	-	1	2	18023-9	SCR, SKT HD CAP M4 X 6.0	49
-	-	-	1	2119652-1	FEED CAM, PRE FEED	48
-	1	1	1	1803602-1	SCR, BHSC, RoHS (M8 X 25)	41
-	1	1	1	1752356-6	SUPPORT, TERMINAL	34
-	2	2	2	2079383-5	SCR, BHSC, RoHS (M4 X 20)	33
-	2	2	2	2-2844962-4	SPACER, CYLINDRICAL, STRIP GUIDE	30
-	1	1	1	2844992-3	ASSEMBLY, STRIP GUIDE	29
-	1	1	1	1-455888-0	SPACER, CRIMPER	28
-	2	2	2	22283-1	SPRING, COMPRESSION	27
-	1	1	1	356835-1	LEVER, DRAG RELEASE	26
-	1	1	1	240792-1	DRAG, TERMINAL	25
-	1	1	1	1320928-2	STRIP GUIDE	24
-	1	1	1	980371-4	SCR, SKT HD SHLDR 5.0 DIA X 6.0	23
-	1	1	1	2168083-2	SCR, SKT HD CAP, RoHS, M4 X 8.0	21
-	2	2	2	1-18028-2	WASHER, FLAT, REG M4	20
-	1	1	1	2119533-1	STRIPPER, SIDE FEED	19
-	1	1	1	1803155-1	HOLD DOWN, TERMINAL	18
-	1	1	1	2119806-1	INSERT, SHEAR	13
-	1	1	1	3-22280-3	SPRING, COMPRESSION	12
-	1	1	1	1-356885-4	STOP, SHEAR	11
-	1	1	1	2119805-1	SHEAR HOLDER, FRONT	10
-	1	1	1	1803095-1	FLOATING SHEAR, FRONT	9
-	1	1	1	1-1338690-2	ANVIL, COMBINATION .055	8
-	1	1	1	4-240641-2	SPACER	7
-	1	1	1	2119757-4	DEPRESSOR, SHEAR	5
-	1	1	1	238011-8	BLOCK, CRIMPER SPACER	4
-	1	1	1	2119784-2	CRIMPER, INSULATION O PREMIUM	3
-	1	1	1	455888-1	SPACER, CRIMPER	2
-	1	1	1	1-562108-5	CRIMPER, WIRE, F	1

ITEM NO	PART NO	DESCRIPTION			
-77	-42	-22	-21	DESCRIPTION	ITEM NO

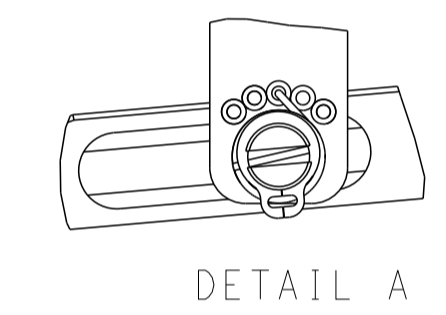
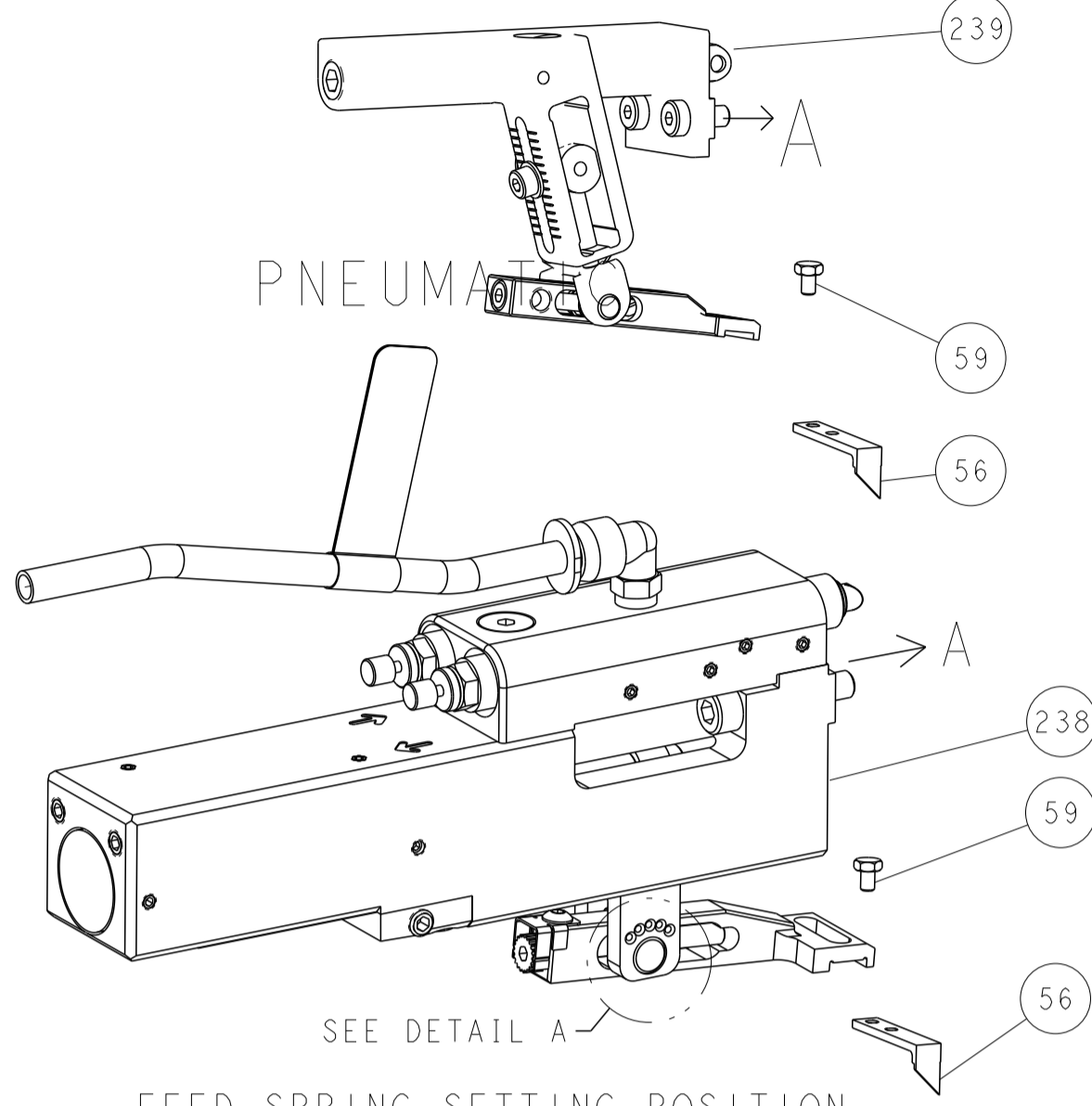
TE Connectivity  
 Harrisburg, PA 17105-3608  
 Ocean Side Feed Applicator

Customer Accessible Production Drawing SCALE 1:2 SHEET 3 OF 4 REV J

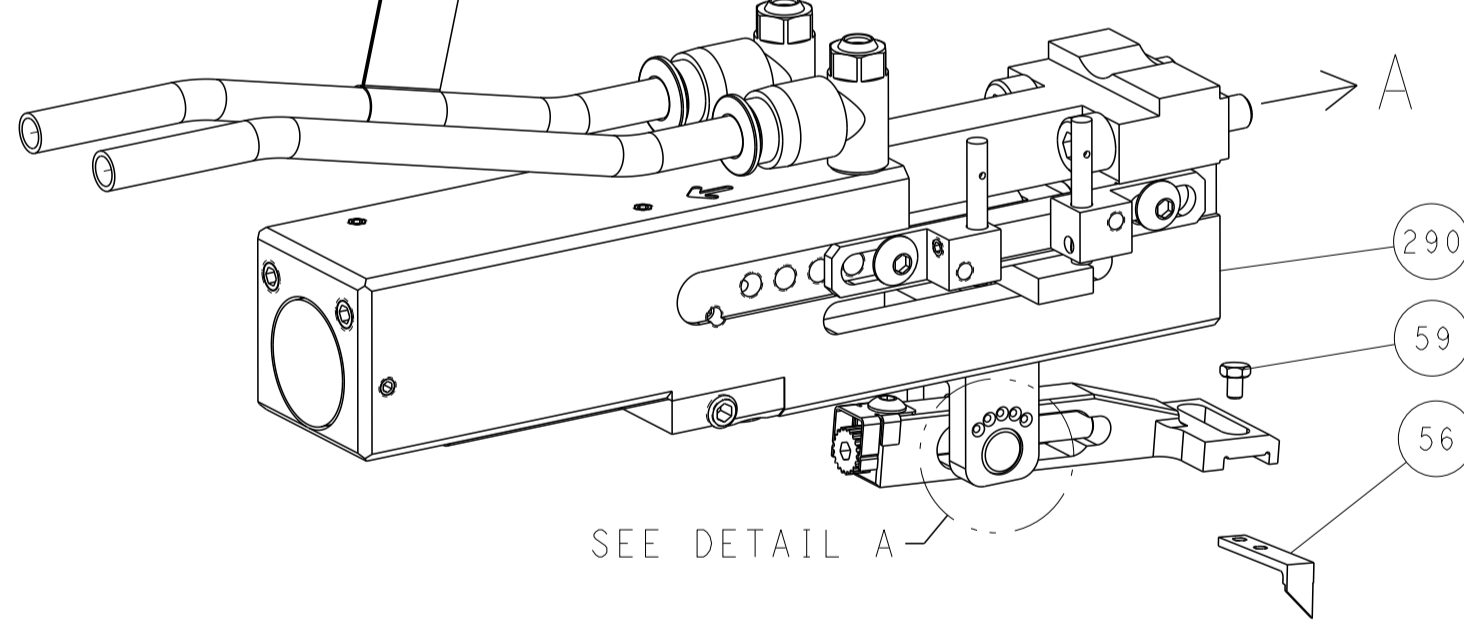
REVISONS		DATE	OWN	APVD
P	LTN			
- SEE SHEET 1				

# FEED TYPE

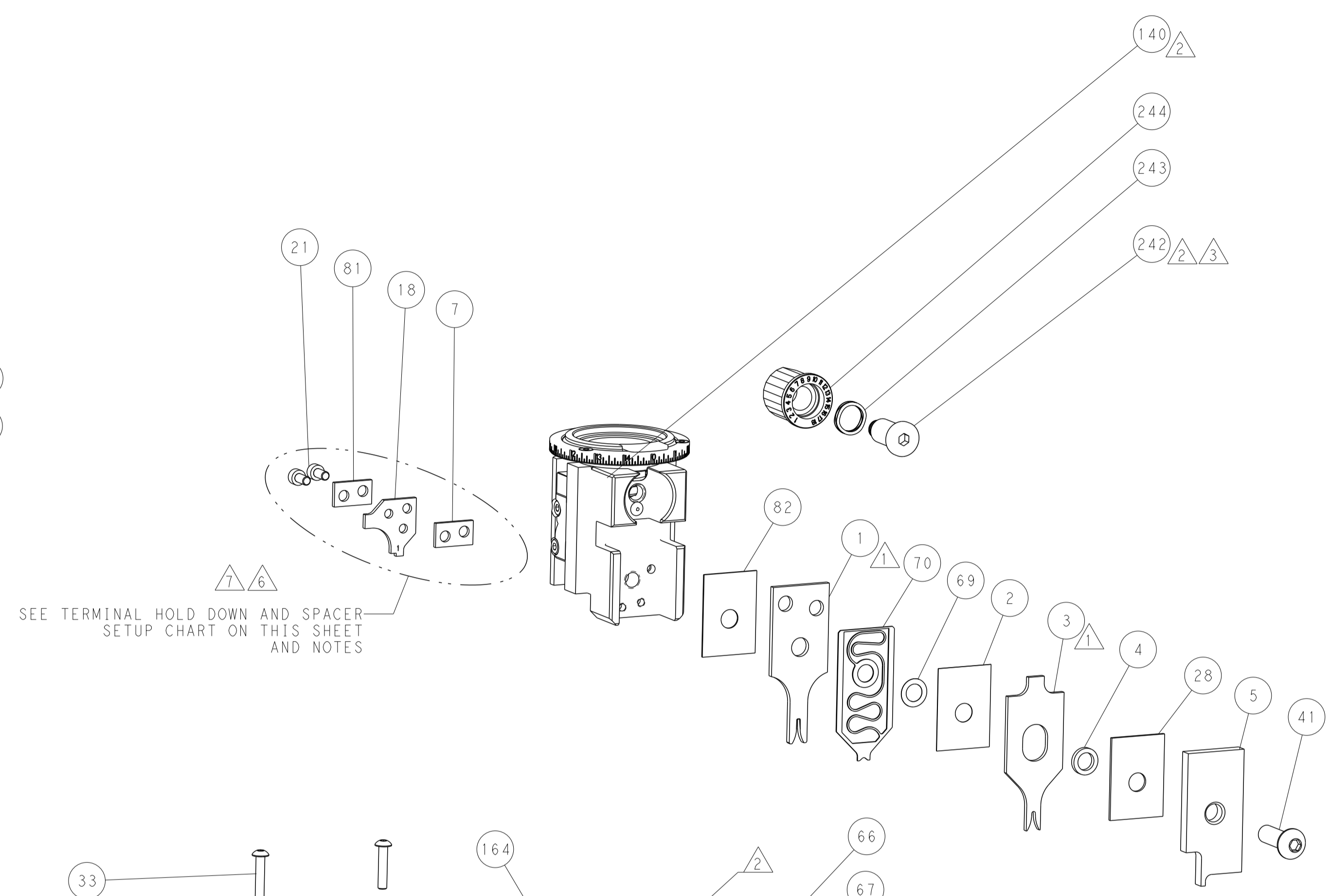
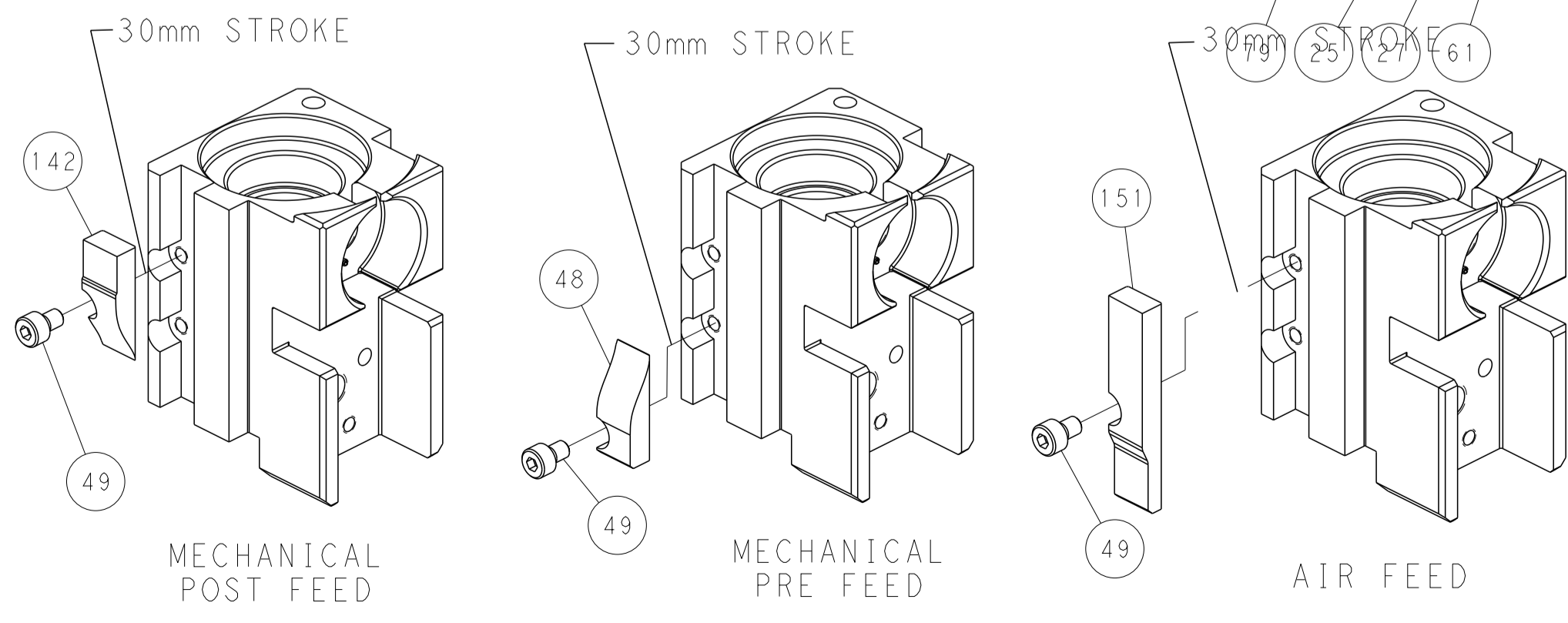
## MECHANICAL



## DOUBLE ACTING PNEUMATIC WITH SENSORS

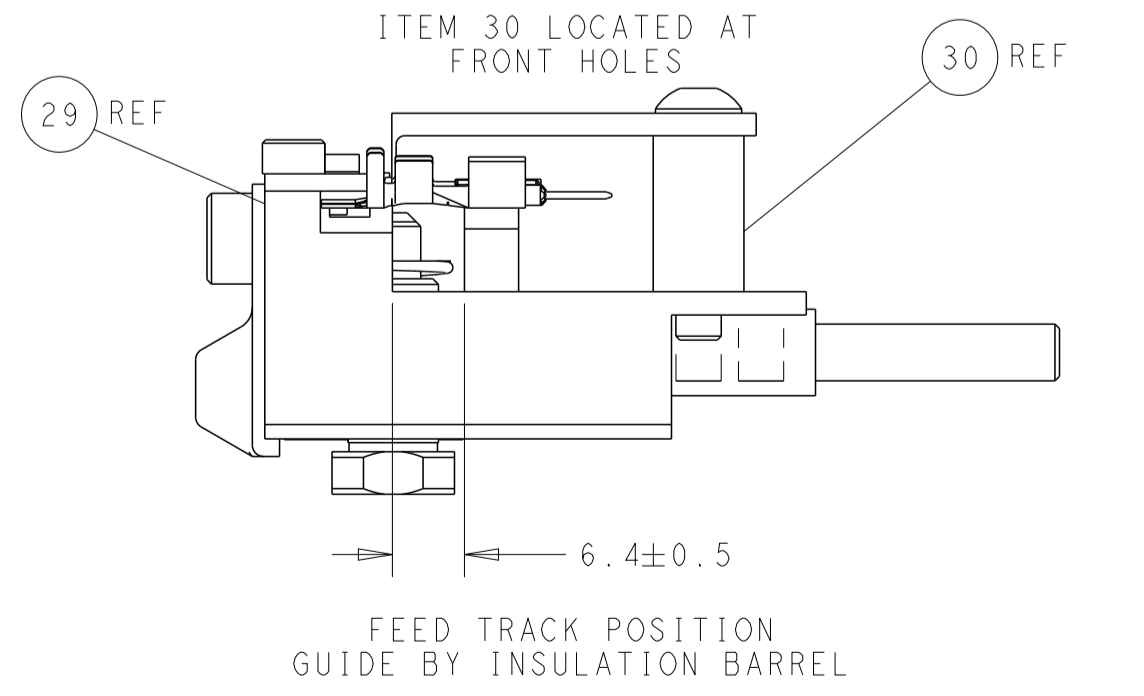
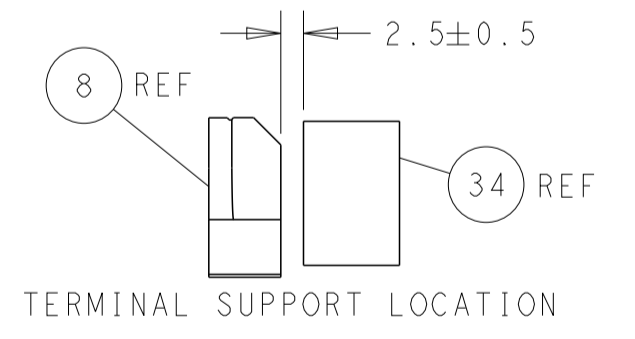
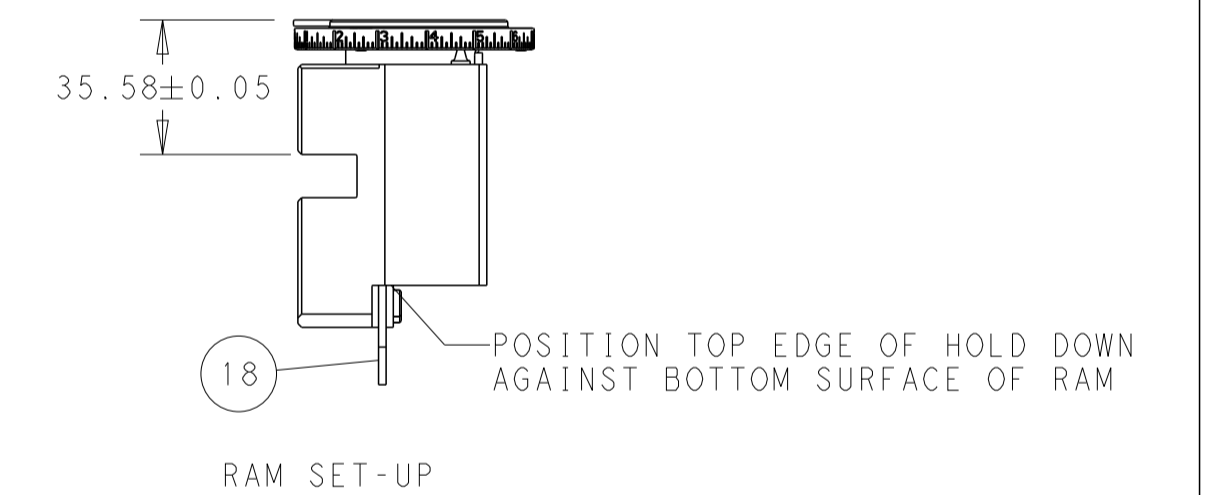


## CAM POSITIONS



## TERMINAL HOLD DOWN AND SPACER SETUP CHART

GROUP	HOLD DOWN & SPACER TOOLING SETUP FOR TERMINALS:	POSITION
GROUP 1	2-928918-2 3-928918-2 5-928918-1 6-928918-1 6-928918-2 6-928918-3 1394702-1 1394702-2 5-1394702-1 5-1394702-2	POSITION 1
	928918-1 928918-2	POSITION 1
	968893-1	POSITION 1
	5-968220-6 1703296-1 1703296-5 1534116-1 1534116-2 5-1534116-1 5-1534116-2	POSITION 2
GROUP 2	1241918-1	POSITION 2



**PACIFIC VERSION**  
Shown on sheets 3 of 4 & 4 of 4  
(Atlantic version shown on sheets 1 of 4 & 2 of 4)

DIMENSIONS:		TOLERANCES UNLESS OTHERWISE SPECIFIED:		DWN L.GROSS 02SEP2011		TE Connectivity	
mm	0 PLC ±	1 PLC ±	2 PLC ±	3 PLC ±	4 PLC ±	5 PLC ±	Harrisburg, PA 17105-3608
MATERIAL:	FINISH:	WEIGHT:	SCALE:	SIZE:	CAGE CODE:	DRAWING NO:	RESTRICTED TO:
			1:2	A1	00779	2151493	
Customer Accessible Production Drawing				SHEET 4 OF 4 REV J			

单击下面可查看定价，库存，交付和生命周期等信息

[>>TE Connectivity\(泰科\)](#)