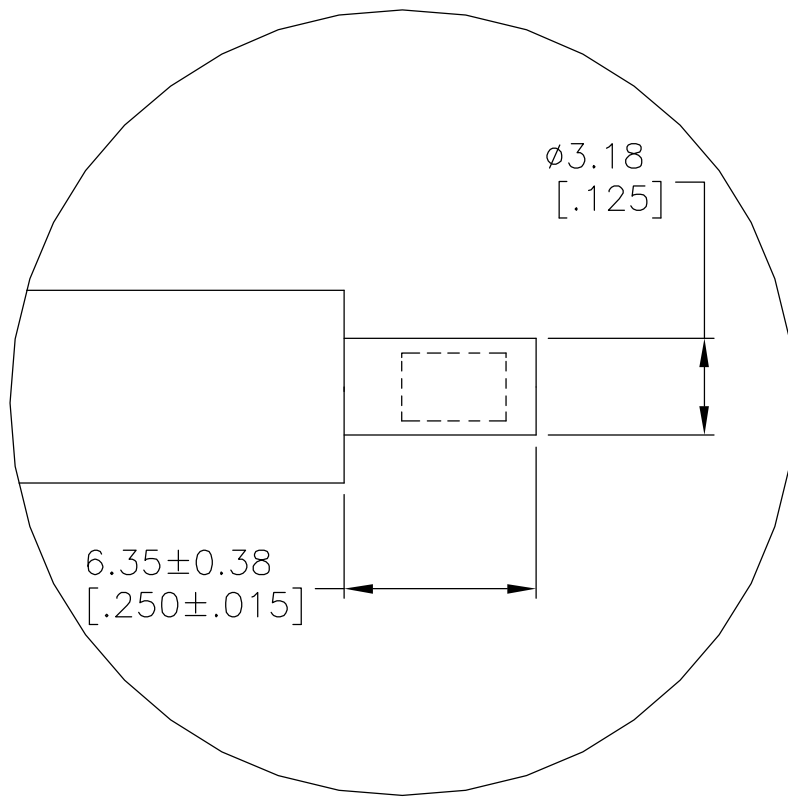
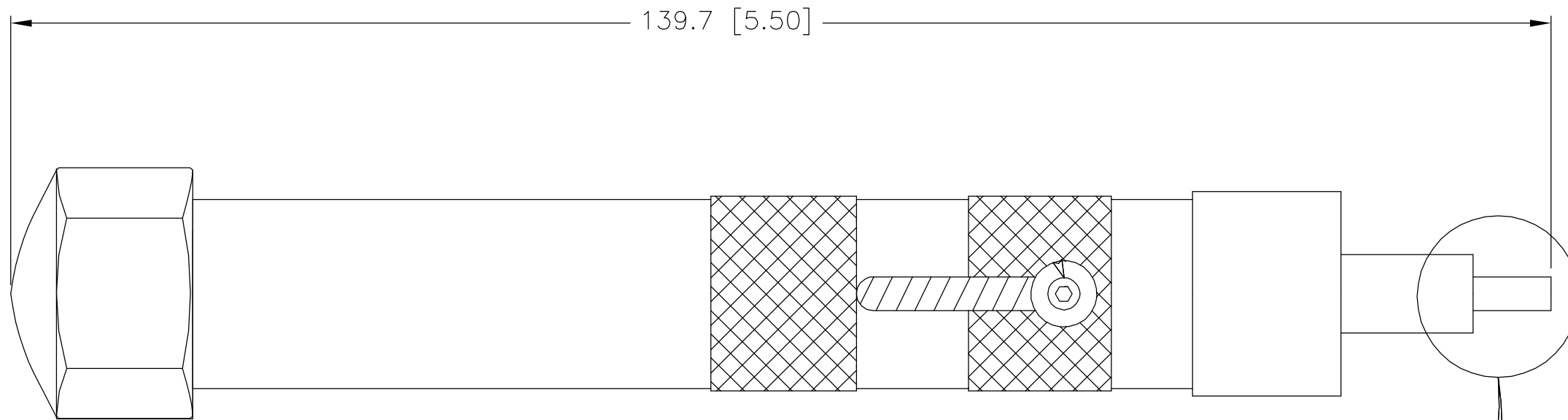


THIS DRAWING IS UNPUBLISHED. RELEASED FOR PUBLICATION
© COPYRIGHT BY TYCO ELECTRONICS CORPORATION. ALL RIGHTS RESERVED.

LOC	DIST	REVISIONS					
CM	00	P	LTR	DESCRIPTION	DATE	DWN	APVD
			0	REVISED PER 0G3B-0079-05	03MAR06	KW	SR



1586700-1
PART NO

SCALE 4:1

METRIC

THIS DRAWING IS A CONTROLLED DOCUMENT.		DWN K. WHITAKER 03MAR2006	Tyco Electronics Corporation Harrisburg, PA 17105-3608	
DIMENSIONS: mm [INCHES]	TOLERANCES UNLESS OTHERWISE SPECIFIED:	CHK S. RIDGILL 03MAR2003	NAME CONTACT RETENTION TOOL	
	0 PLC ± -	APVD S. RIDGILL 03MAR2003	PRODUCT SPEC	
	1 PLC ± -	PRODUCT SPEC	-	
	2 PLC ± -	APPLICATION SPEC	-	
	3 PLC ± .005	SIZE	CAGE CODE	DRAWING NO
	4 PLC ± -	WEIGHT	A3	00779
	ANGLES ± 0°30'	CUSTOMER DRAWING		RESTRICTED TO
MATERIAL	FINISH	SCALE 2:1		SHEET 1 OF 1
-	-	C=1586700		REV 0

单击下面可查看定价，库存，交付和生命周期等信息

[>>TE Connectivity\(泰科\)](#)