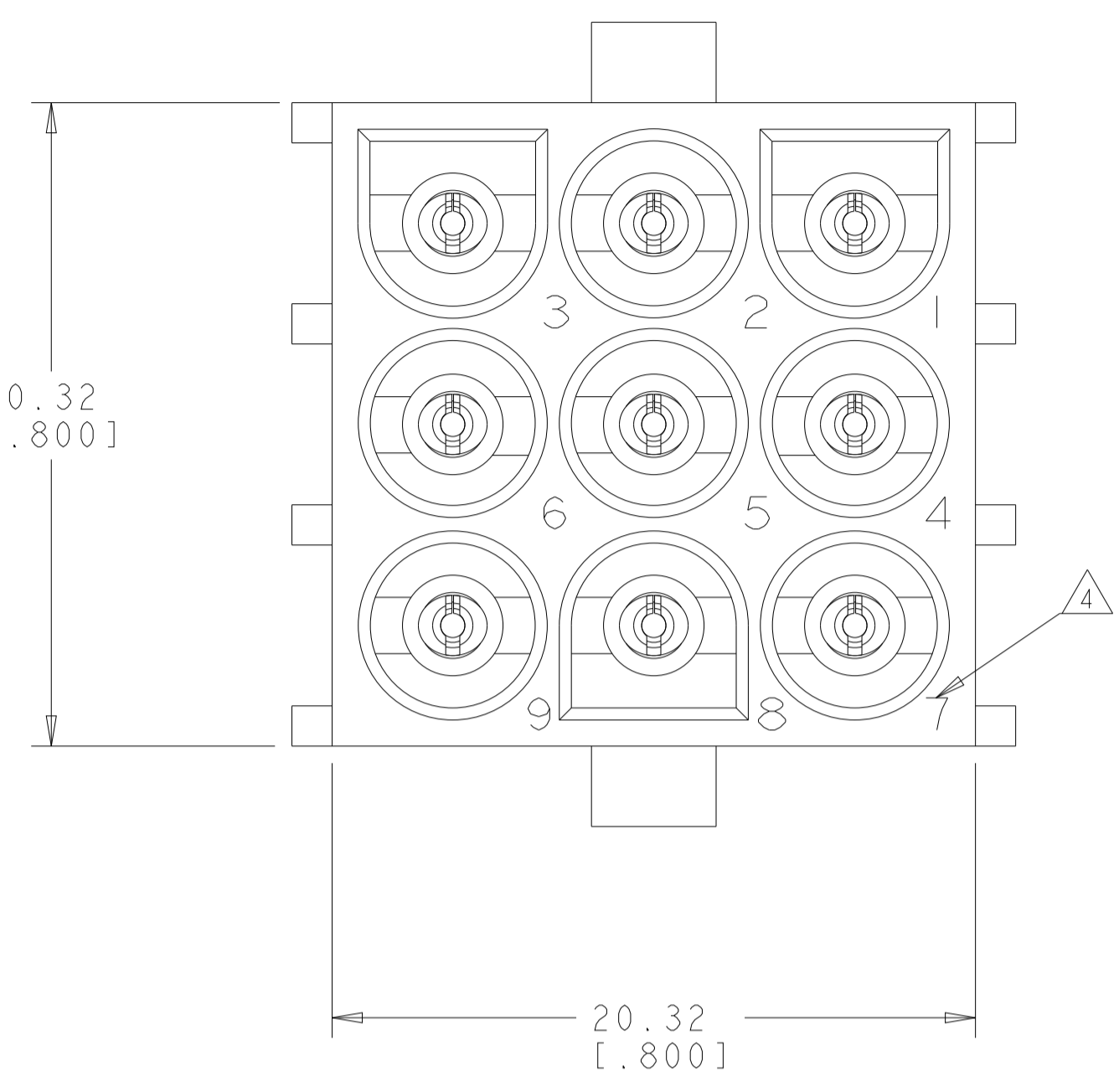
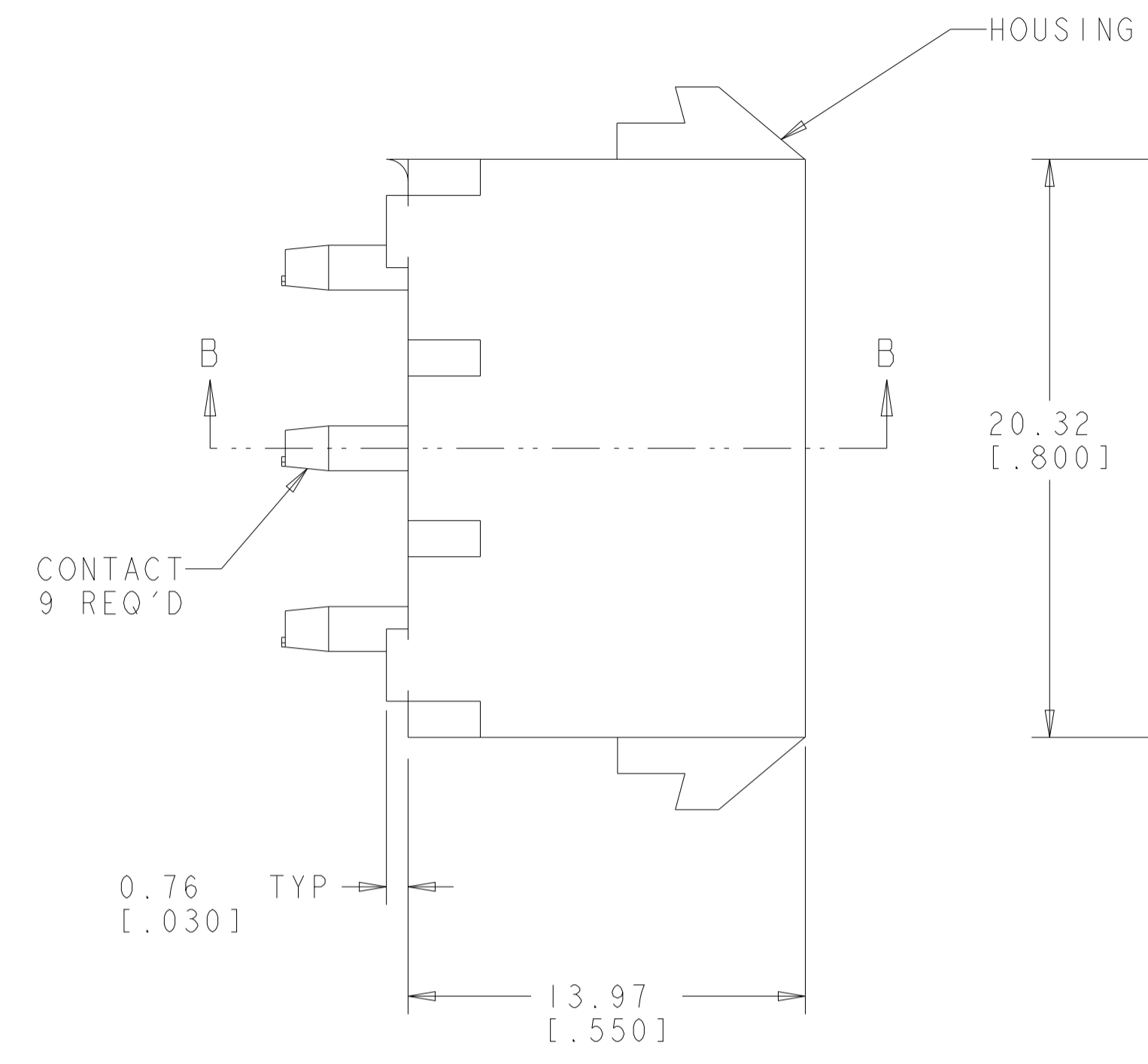
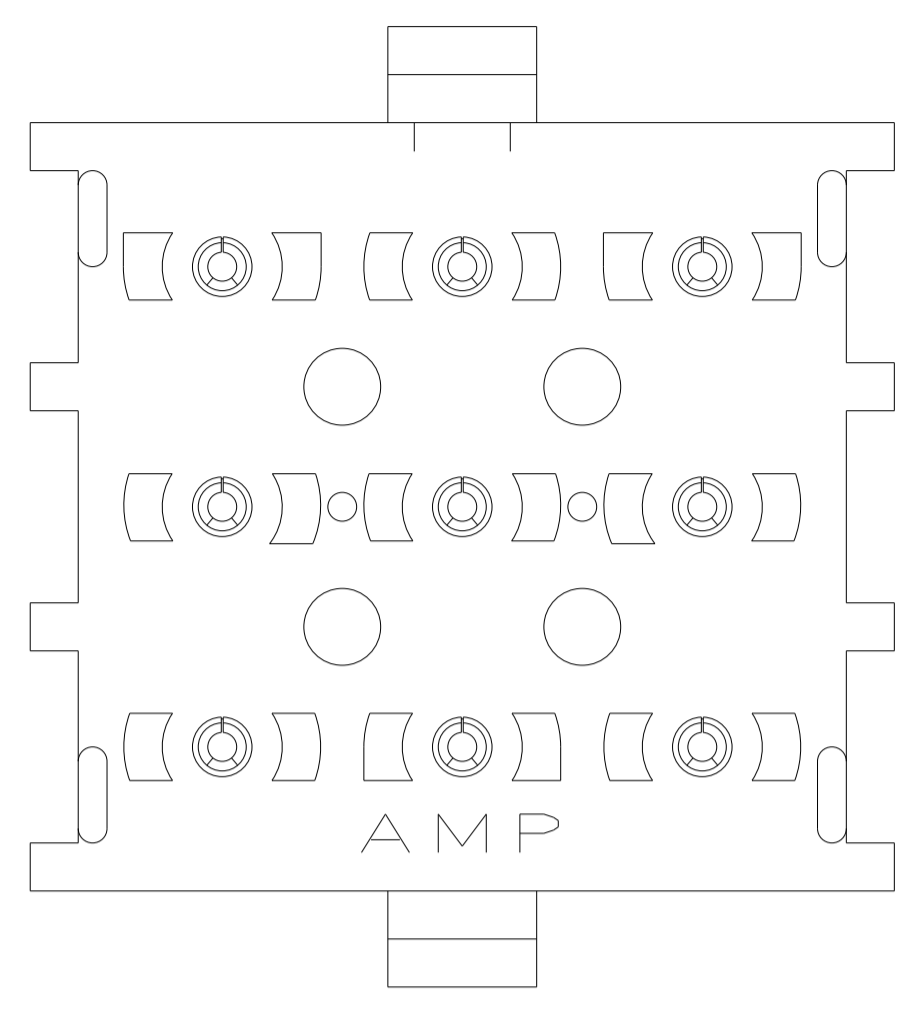
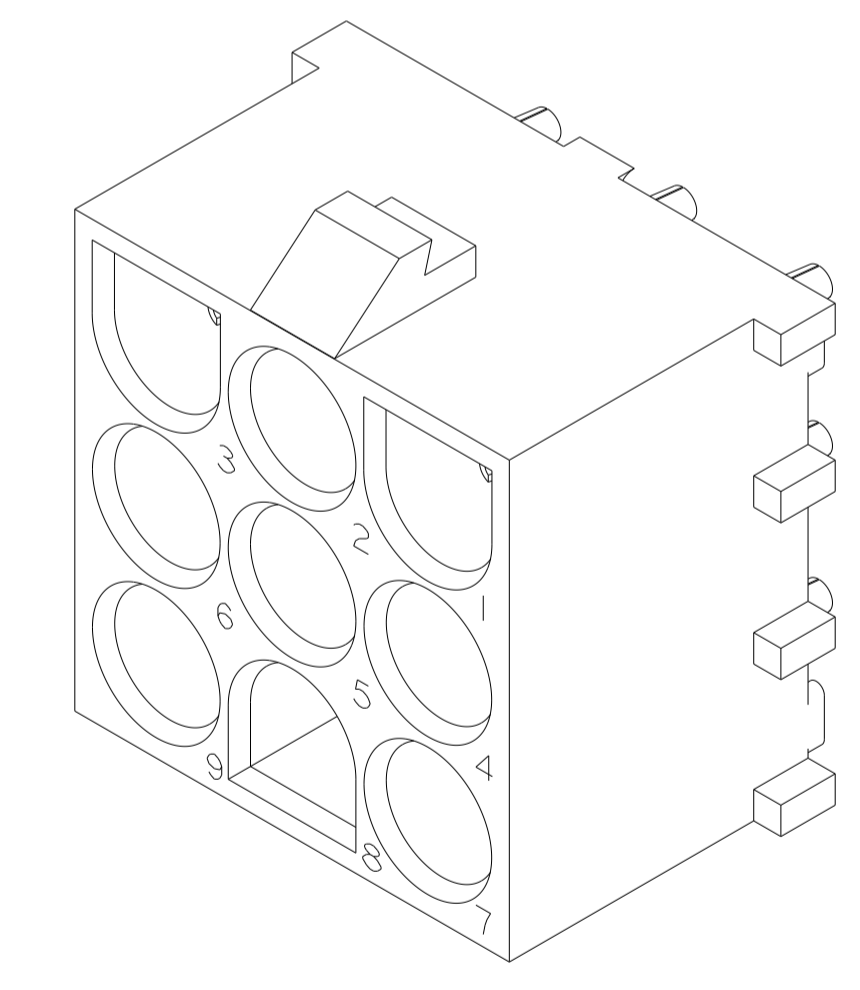
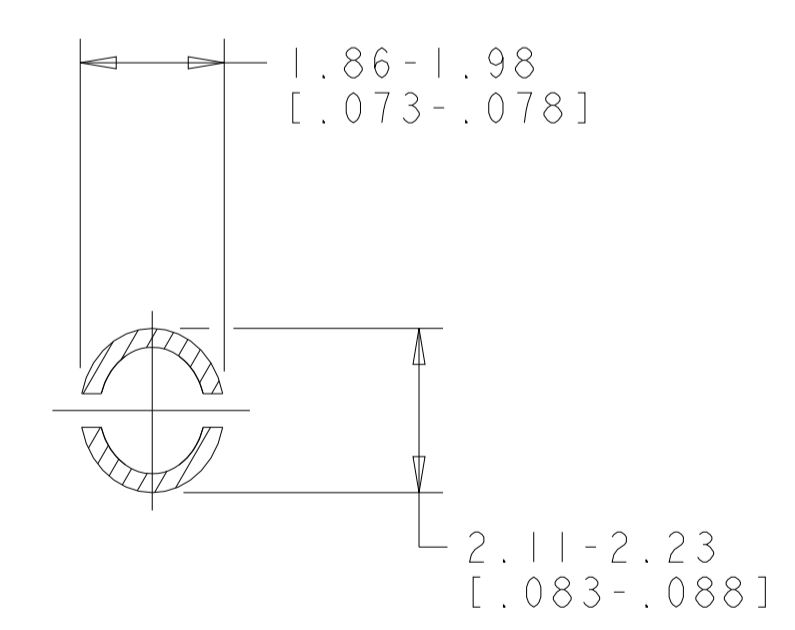
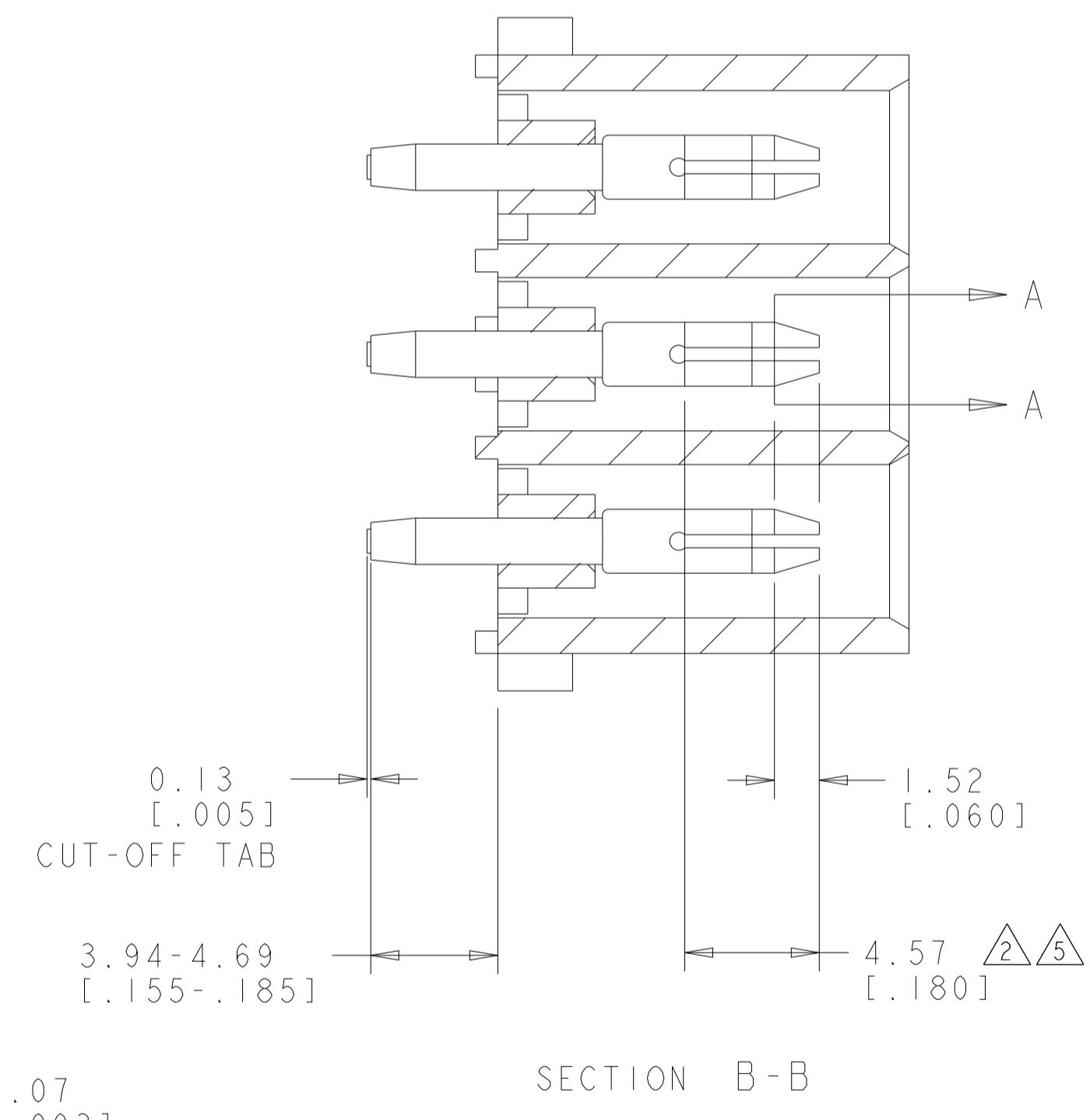


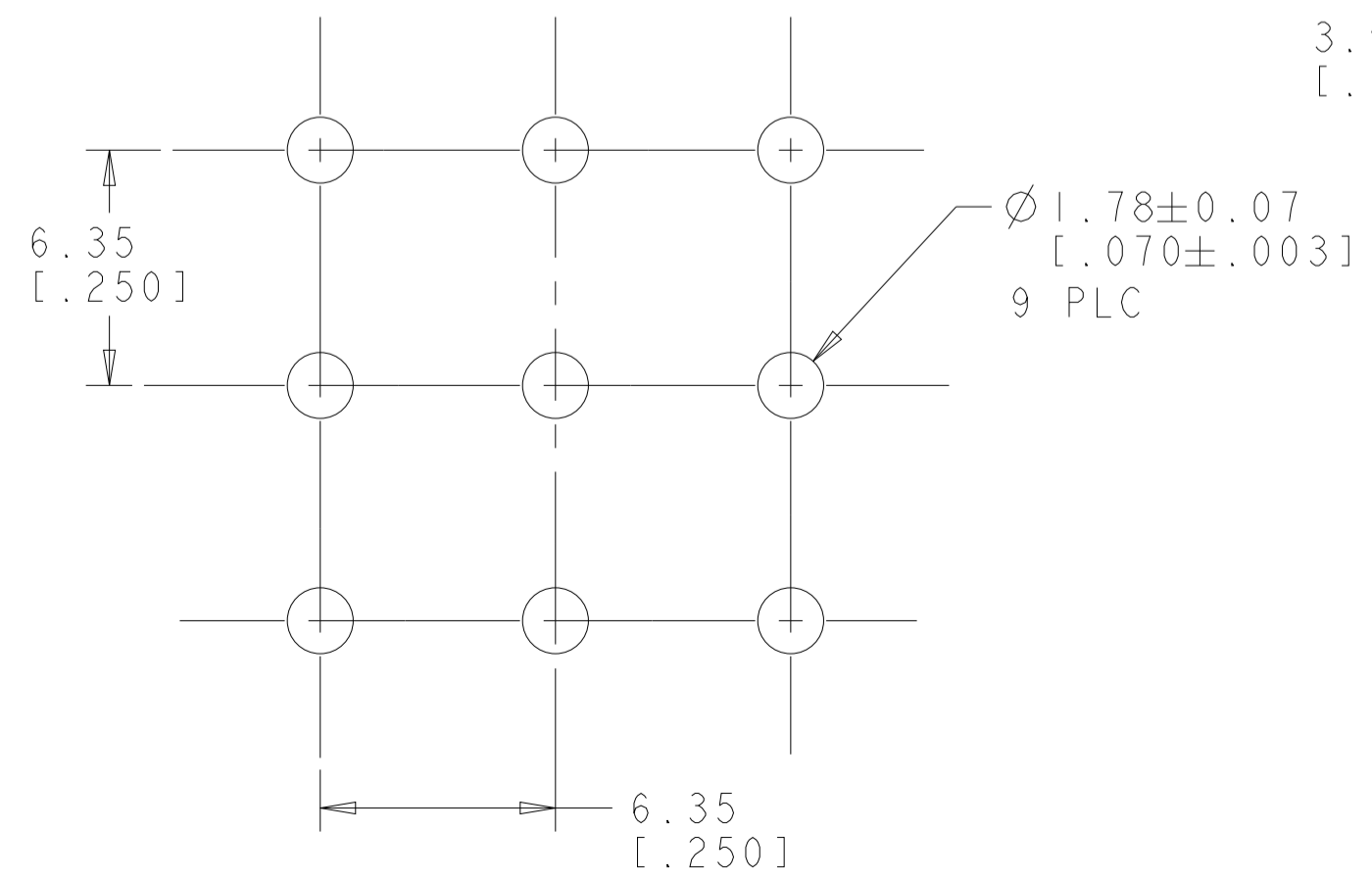
| LOC |    | DIST |     | REVISIONS                 |           |     |      |
|-----|----|------|-----|---------------------------|-----------|-----|------|
| CM  | 00 | P    | LTN | DESCRIPTION               | DATE      | DWN | APVD |
|     |    | W2   |     | REVISED PER ECR-12-011660 | 24JAN2013 | KH  | TM   |
|     |    | W3   |     | REVISED PER ECR-21-119230 | 08NOV2021 | SS  | VS   |



1. PARTS COMPLY TO AMP SOLDERABILITY SPECIFICATION 109-11-3.
2. CONTACT IS PLATED OVERALL WITH 0.00127 [0.000050] NICKEL, THEN 0.00076 [0.000030] GOLD OVER CONTACT LENGTH INDICATED AND TIN LEAD ON SOLDER TAIL END.
3. MATES WITH HOUSING 480706.
4. CIRCUIT IDENTIFICATION CHARACTERS ARE ADJACENT TO THE INDICATED CAVITIES, BUT LOCATION AND ORIENTATION MAY DIFFER FROM PRINT.
5. CONTACT IS PLATED OVERALL WITH 0.00127 [0.000050] NICKEL, THEN 0.00076 [0.000030] GOLD OVER CONTACT LENGTH INDICATED AND MATTE TIN ON SOLDER TAIL END.
6. DIMENSIONS IN BRACKETS ARE IN INCHES.
7. SUPERSEDED BY 350432-4
8. DIMENSIONS SHOWN REPRESENT PRODUCT IN DRY CONDITION. ADDITIONAL 2% GROWTH DUE TO END USE LOCATION MOISTURE ABSORPTION MAY OCCUR AND SHOULD BE ACCOUNTED FOR.

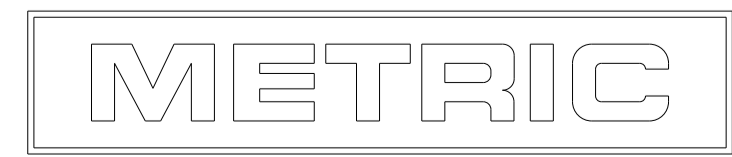


3 DIMENSIONAL MODEL  
SCALE 4:1



RECOMMENDED MOUNTING HOLE PATTERN FOR 1.57 [0.062] THICK P.C. BOARD

|                                 |                            |             |
|---------------------------------|----------------------------|-------------|
| PHOSPOR BRONZE, GOLD 5          | NYLON, UL94V-2, NATURAL    | 350432-4    |
| 4 PHOSPOR BRONZE, GOLD 2        | NYLON, UL94V-2, NATURAL    | 350432-2    |
| PHOSPOR BRONZE, PRE-TIN         | NYLON, UL94V-2, NATURAL    | 350432-1    |
| PIN CONTACT MATERIAL AND FINISH | HOUSING MATERIAL AND COLOR | PART NUMBER |



|  |           |                                  |   |
|--|-----------|----------------------------------|---|
| THIS DRAWING IS A CONTROLLED DOCUMENT. |           | DWN<br>K. WHITAKER<br>19JULY2005 | TE Connectivity   |
| DIMENSIONS: mm [INCHES]                |           | CHK<br>S. RIDGILL<br>19JULY2005  |   |
| TOLERANCES UNLESS OTHERWISE SPECIFIED: |           | APVD<br>S. RIDGILL<br>19JULY2005 | NAME<br>PIN HEADER ASSEMBLY,<br>9 CIRCUIT,<br>UNIVERSAL MATE-N-LOK TM |
| 0 PLC ±                                | 1 PLC ±   | PRODUCT SPEC                     | SIZE  |
| 2 PLC ±0.131(.005)                     | 3 PLC ±   | APPLICATION SPEC                 | CAGE CODE   |
| 4 PLC ±                                | 5 PLC ±   | WEIGHT                           | DRAWING NO  |
| ANGLES ±                               | FINISH ±  | CUSTOMER DRAWING                 | RESTRICTED TO   |
| FINISH ±                               | SEE TABLE | SCALE 1:1                        | SHEET 1 OF 1  |
| MATERIAL SEE TABLE                     |           | REV 3                            |   |

单击下面可查看定价，库存，交付和生命周期等信息

[>>TE Connectivity\(泰科\)](#)