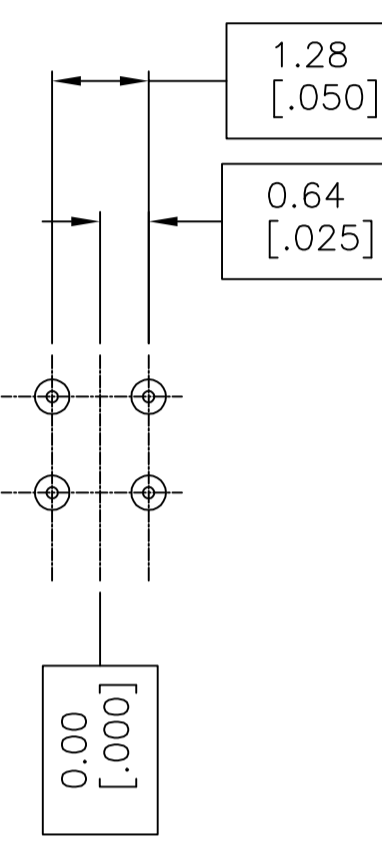
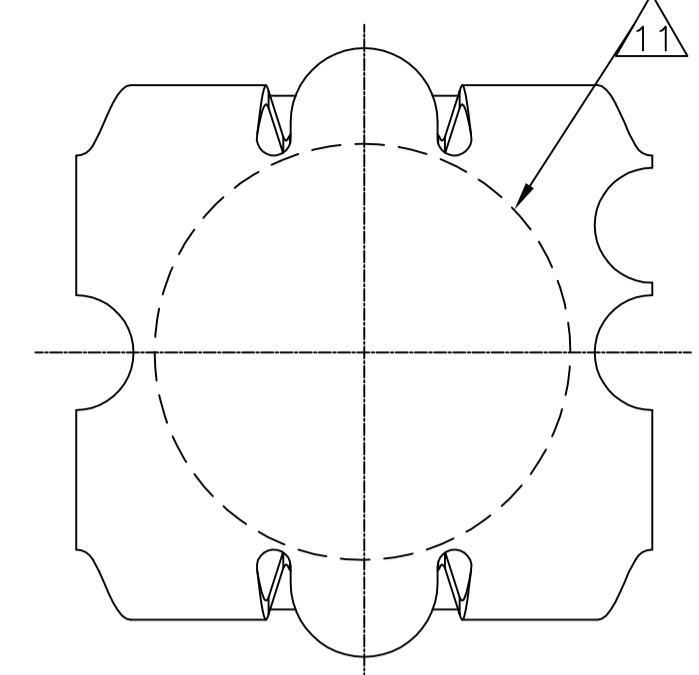
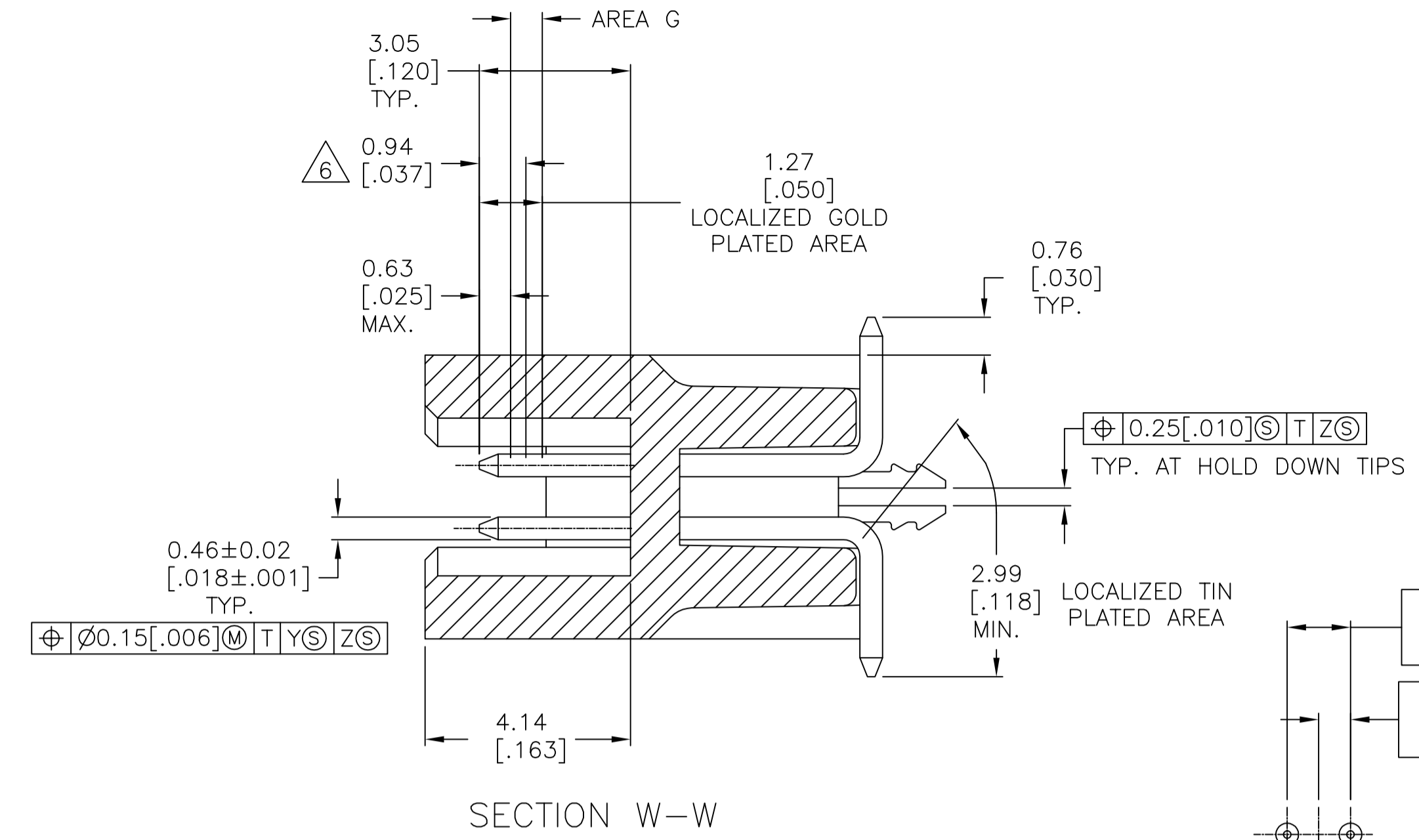
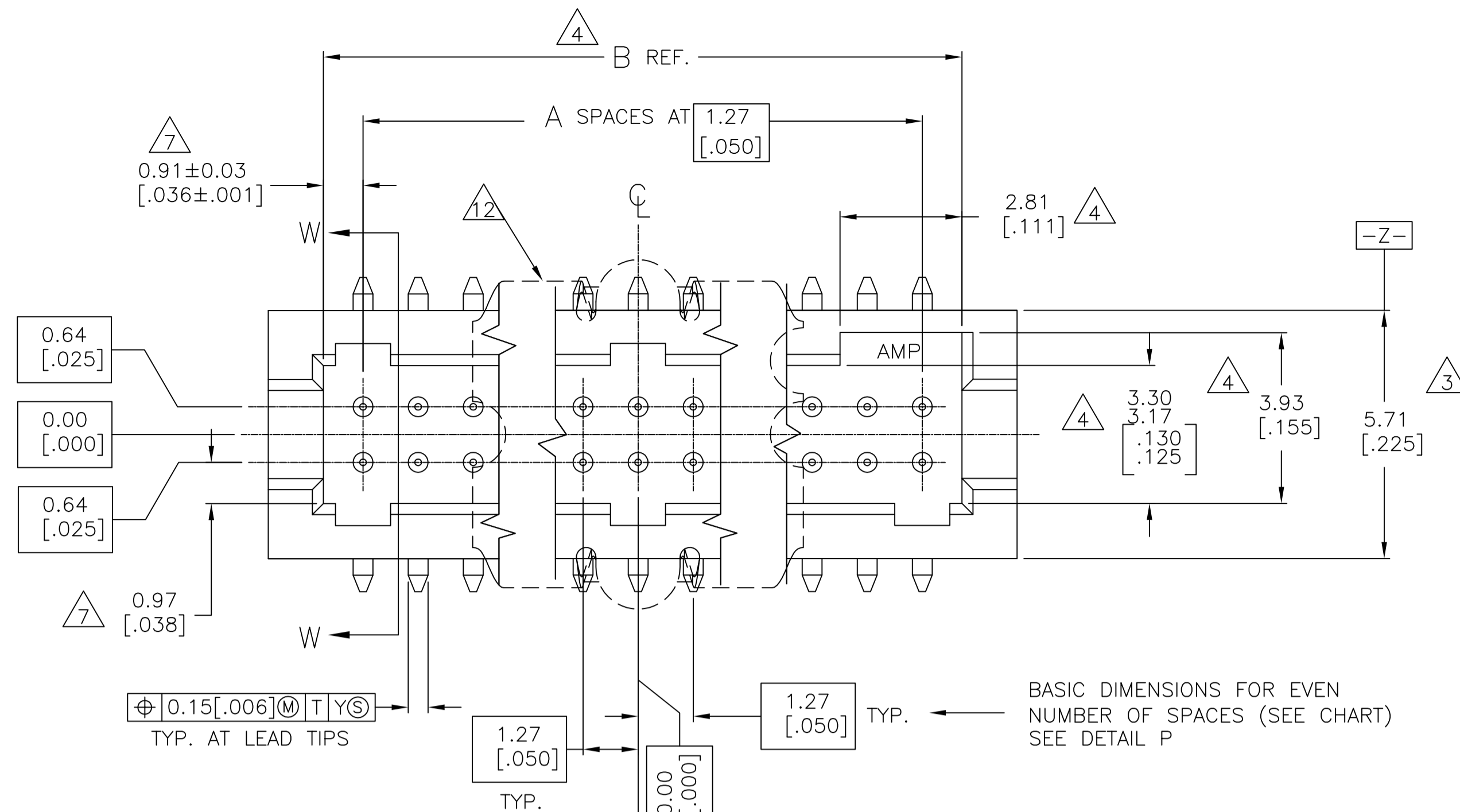
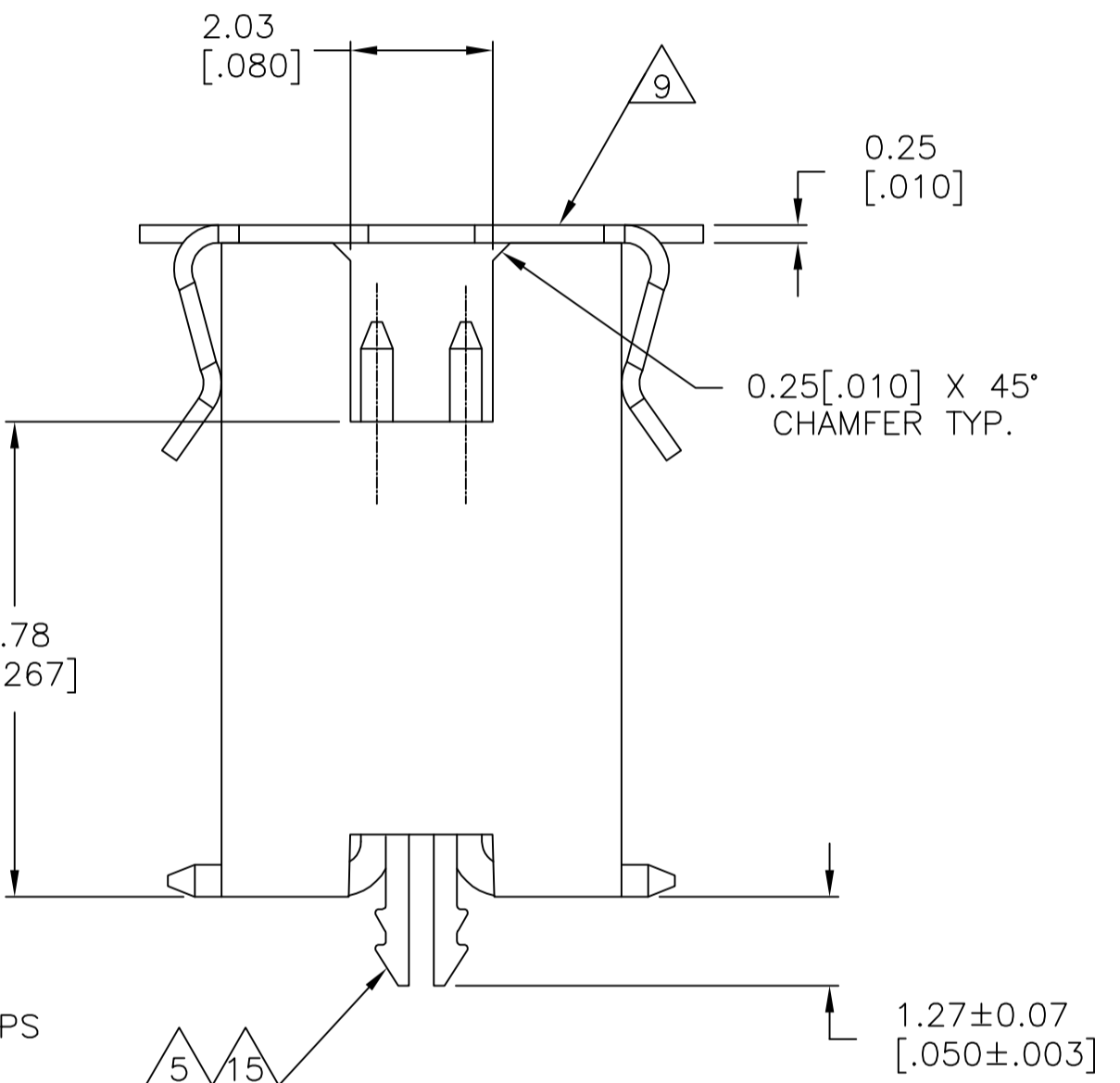
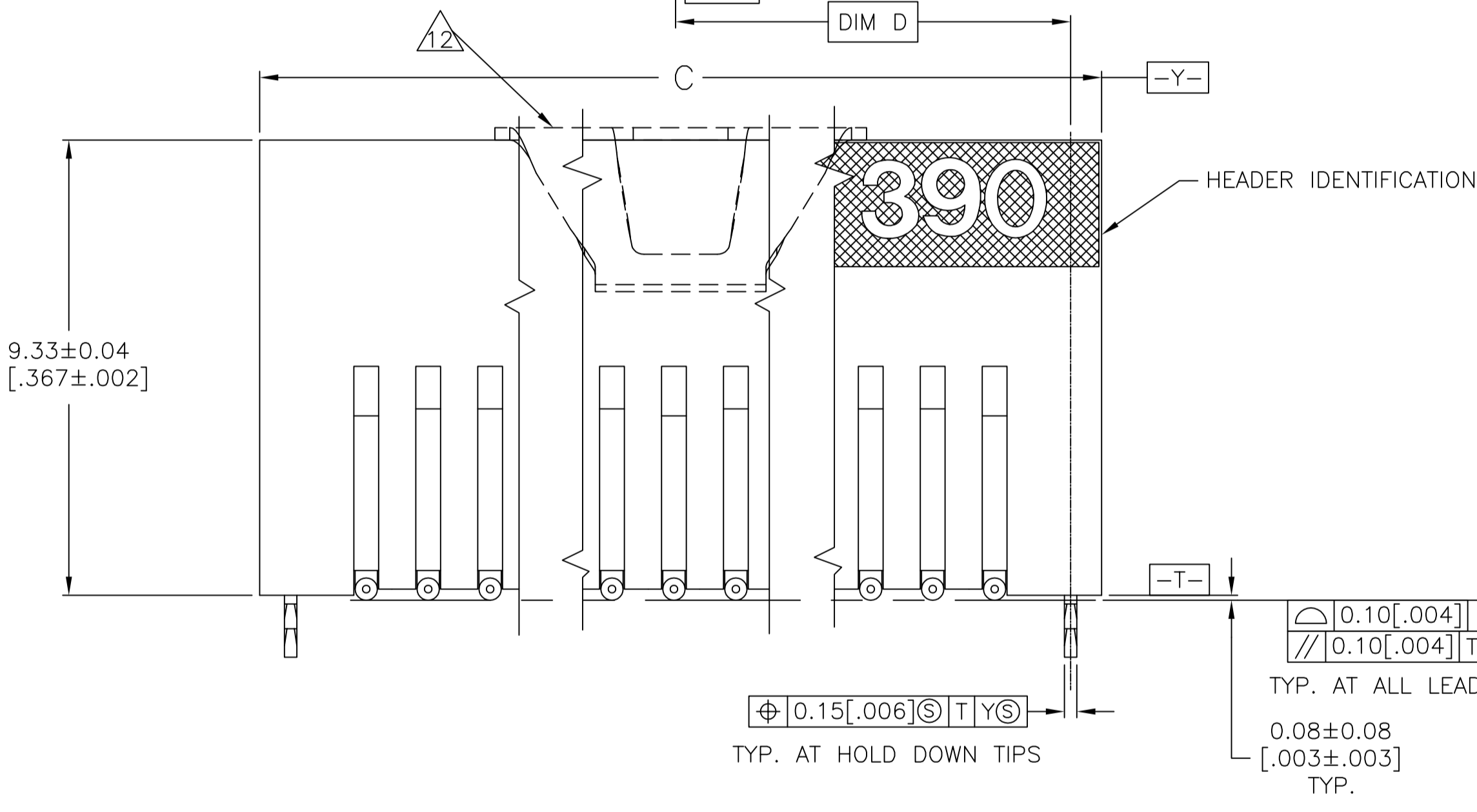


REVISIONS					
P	LTR	DESCRIPTION	DATE	OWN	APVD
C3		REVISED PER ECO-12-002054	06FEB12	KH	JO
D		REVISED PER ECO-17-016552	17NOV2017	RS	JO



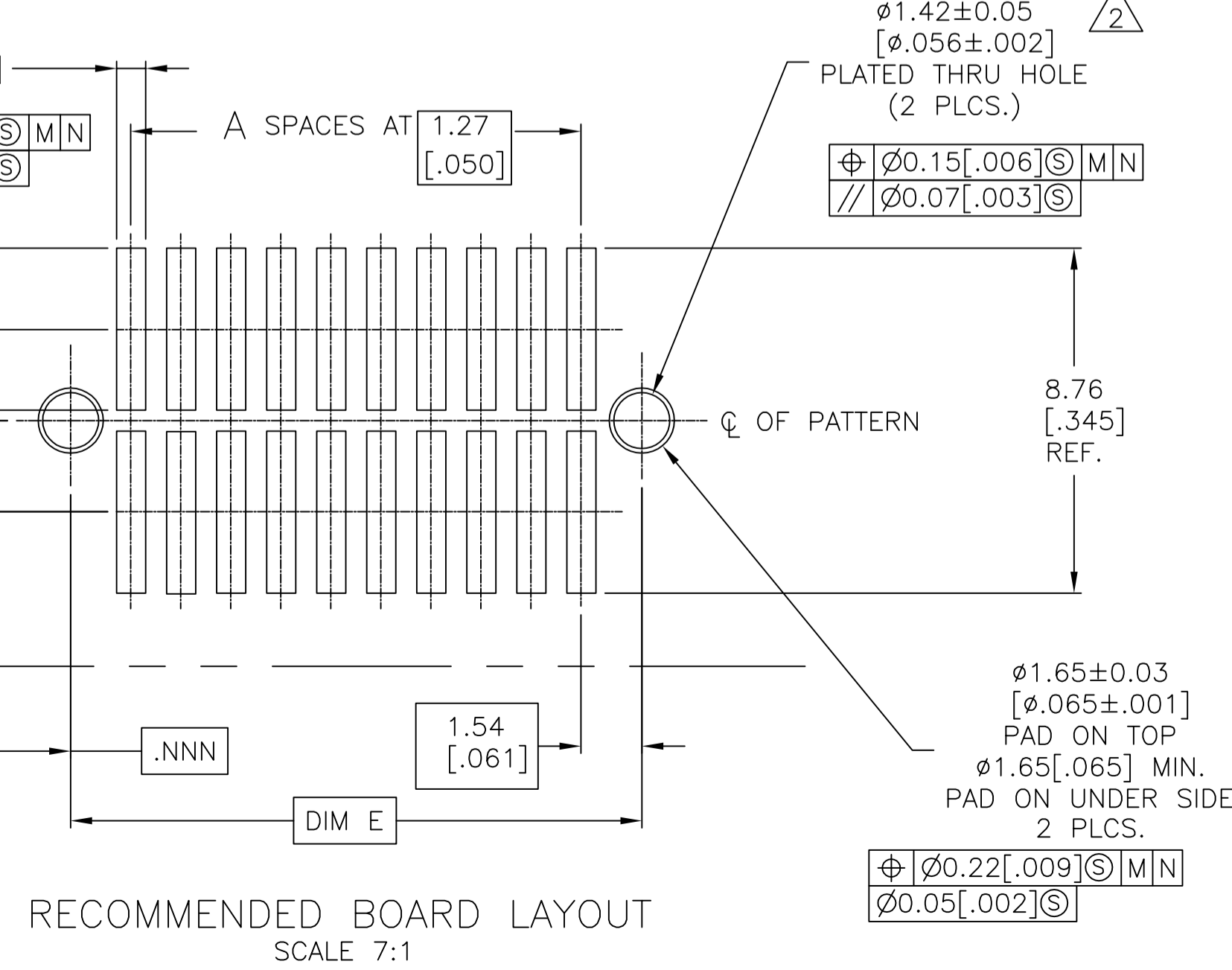
DETAIL P  
BASIC DIMENSIONS FOR  
ODD NUMBER OF SPACES

△ OBSOLETE PARTS: OBSOLETE CIS STREAMLINING PER D.RENAUD/D.SINISI



- 1 0.00076[.000030] GOLD AT POINT OF MEASUREMENT, 0.00051[.000020] MIN AT THE END POINTS OF AREA G, (LOCALIZED GOLD PLATE AREA), 0.0038[.000150] TIN-LEAD ON LOCALIZED TIN PLATED AREA, ALL OVER 0.0013[.000050] NICKEL
- 2 USE 1.55±0.02[.0610±.0010] DRILLED HOLE (1.5MM DRILL). FINISH TO BE TIN PLATE OVER 0.02[.001] MIN COPPER.
- 3 DIMENSION APPLIES AT BASE OF SHROUD.
- 4 THE NOTED DIMENSIONS APPLY AT THE MATING FACE OF THE HOUSING.
- 5 0.0038 [.000150] TIN-LEAD ON HOLD DOWN, ALL OVER 0.0013 [.000050] NICKEL.
- 6 POINT OF MEASUREMENT
- 7 DIMENSIONS NOTED APPLY FROM THE BASIC DIMENSION LINE (NOT THE CIRCUIT CAVITY CENTER LINE) TO THE SURFACE INDICATED.
- 8 IF PLANNING TO USE MORE THAN ONE MATING PAIR OF CONNECTORS TO INTERCONNECT 2 BOARDS, PLEASE REFER TO "SPACING" PARAGRAPH IN APPLICATION SPECIFICATION #114-7010
- 9 VACUUM COVER DESIGNED FOR 4.0 [.160] DIA. NOZZLE. VACUUM COVER TO BE REMOVED AFTER SOLDERING.
- 10 PACKAGED IN EIA-481 TAPE & REEL. SEE TABLE FOR DETAILS.
- 11 5.5 [.216] MIN TARGET AREA FOR VACUUM PICK-UP.
- 12 VACUUM COVER SHOWN IN PHANTOM LINE.
- 13 HOUSING: LCP, COLOR-BLACK. POST: PHOSPHOR BRONZE. HOLD DOWN: COPPER ALLOY VACUUM COVER: ALUMINUM.
- 14 0.00076[.000030] GOLD AT POINT OF MEASUREMENT, 0.00051[.000020] MIN AT THE END POINTS OF AREA G, (LOCALIZED GOLD PLATE AREA), 0.0038[.000150] TIN ON LOCALIZED TIN PLATED AREA, ALL OVER 0.0013[.000050] NICKEL
- 15 0.0038 [.000150] TIN ON HOLD DOWN, ALL OVER 0.0013 [.000050] NICKEL.
- 16 ROHS 2002/95/EC COMPLIANT

FINISH	TAPE WIDTH	E	D	C	B	A	NO. OF POSN.	PART NUMBER			
△16	△14	88 mm	65.33 [2.572]	32.66 [1.286]	66.59 [2.622]	64.05 [2.522]	49	100	5-147383-9		
△16	△14	72 mm	52.63 [2.072]	26.31 [1.036]	53.89 [2.122]	51.35 [2.022]	39	80	5-147383-8		
△16	△14	72 mm	46.28 [1.822]	23.13 [0.911]	47.54 [1.872]	45.00 [1.772]	34	70	5-147383-7		
△16	△14	56 mm	39.93 [1.572]	19.96 [0.786]	41.19 [1.622]	38.65 [1.522]	29	60	5-147383-6		
△16	△14	44 mm	33.58 [1.322]	16.78 [0.661]	34.84 [1.372]	32.30 [1.272]	24	50	5-147383-5		
△16	△14	44 mm	27.23 [1.072]	13.61 [0.536]	28.49 [1.122]	25.95 [1.022]	19	40	5-147383-4		
△16	△14	44 mm	20.88 [0.822]	10.43 [0.411]	22.14 [0.872]	19.60 [0.772]	14	30	5-147383-3		
△16	△14	32 mm	14.53 [0.572]	7.26 [0.286]	15.79 [0.622]	13.25 [0.522]	9	20	5-147383-2		
△16	△14	32 mm	8.18 [0.322]	4.08 [0.161]	9.44 [0.372]	6.90 [0.272]	4	10	5-147383-1		
SUPERSEDED BY	△17	5-147383-9	△15	88 mm	65.33 [2.572]	32.66 [1.286]	66.59 [2.622]	64.05 [2.522]	49	100	5-147383-9
SUPERSEDED BY	△17	5-147383-5	△15	72 mm	52.63 [2.072]	26.31 [1.036]	53.89 [2.122]	51.35 [2.022]	39	80	5-147383-8
△17	△15	72 mm	46.28 [1.822]	23.13 [0.911]	47.54 [1.872]	45.00 [1.772]	34	70	147383-7		
△17	△15	56 mm	39.93 [1.572]	19.96 [0.786]	41.19 [1.622]	38.65 [1.522]	29	60	147383-6		
△17	△15	44 mm	33.58 [1.322]	16.78 [0.661]	34.84 [1.372]	32.30 [1.272]	24	50	147383-5		
△17	△15	44 mm	27.23 [1.072]	13.61 [0.536]	28.49 [1.122]	25.95 [1.022]	19	40	147383-4		
△17	△15	44 mm	20.88 [0.822]	10.43 [0.411]	22.14 [0.872]	19.60 [0.772]	14	30	147383-3		
△17	△15	32 mm	14.53 [0.572]	7.26 [0.286]	15.79 [0.622]	13.25 [0.522]	9	20	147383-2		
△17	△15	32 mm	8.18 [0.322]	4.08 [0.161]	9.44 [0.372]	6.90 [0.272]	4	10	147383-1		



THIS DRAWING IS A CONTROLLED DOCUMENT.

DIMENSIONS: mm [INCHES]

TOLERANCES UNLESS OTHERWISE SPECIFIED:

0 PL	±	-
1 PL	±	-
2 PL	±	0.13[.005]
3 PL	±	-
4 PL	±	-
ANGLES	±	-

MATERIAL: △13

FINISH: SEE TABLE

APPROVED: J. MOSIER

DATE: 28JAN00

NAME: HEADER ASSEMBLY SURFACE MOUNT, (9.90 [.390] MATED HEIGHT) AMPMODU 50/50 GRID

SIZE: A1

CAGE CODE: 00779

DRAWING NO: 147383

RESTRICTED TO: -

CUSTOMER DRAWING

SCALE: 10:1

SHEET: 1 of 1

REV: D

单击下面可查看定价，库存，交付和生命周期等信息

[>>TE Connectivity\(泰科\)](#)