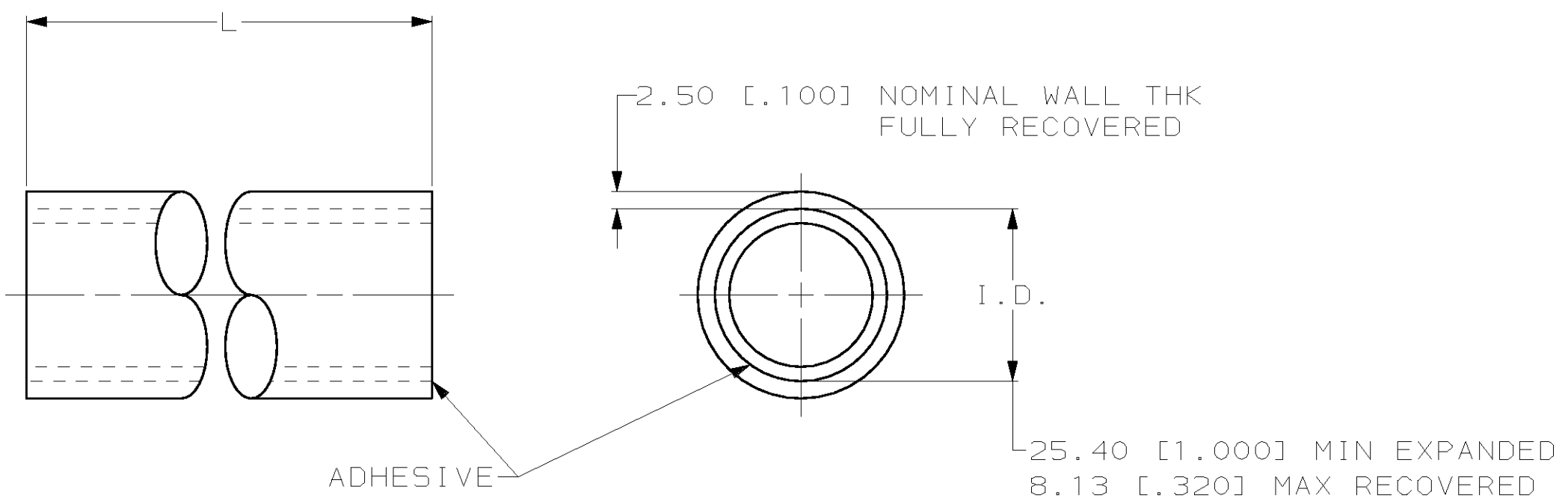


THIS DRAWING IS UNPUBLISHED. RELEASED FOR PUBLICATION ,19 .
 © COPYRIGHT 19 BY AMP INCORPORATED. ALL RIGHTS RESERVED.

LOC	DIST	REVISIONS			
P	LTR	DESCRIPTION	DATE	DWN	APVD
CM	53	H	REVISED PER EC 061Z-0004-99	14-JAN-02	KW DC



- MATERIAL: TUBING- BLACK POLYOLEFIN, HEAT SHRINKABLE, TYPE DWP31, FLAME RETARDANT MEETS UL 224 ALL TUBING.
- ADHESIVE APPLIED TO THE ENTIRE INSIDE DIAMETER OF TUBING.

101.6±2.0	4.00±.08	1-603318-4
1219.2 ^{+25.4} ₀	48.00 ^{+1.00} ₀	603318-4
304.8±6.4	12.00±.25	603318-2
mm	IN	PART NUMBER
L		

METRIC

THIS DRAWING IS A CONTROLLED DOCUMENT.		DWN K. WHITAKER 14-JAN-2002	AMP Incorporated Harrisburg, PA 17105-3608	
DIMENSIONS: mm [INCHES]		CHK D. COLEY 14-JAN-2002		
TOLERANCES UNLESS OTHERWISE SPECIFIED: 0 PLC ±- 1 PLC ±- 2 PLC ±0.5[.02] 3 PLC ±0.13[.005] 4 PLC ±- ANGLES ±-		APVD D. COLEY 14-JAN-2002	NAME AMPSULATION DWP31 HEAT SHRINK TUBING 1 IN EXPANDED I.D. - WITH ADHESIVE	
MATERIAL BLACK POLYOLEFIN, (SEE NOTE 1)		FINISH -	PRODUCT SPEC -	APPLICATION SPEC -
		WEIGHT PER LINEAR FOOT 29.80G [0.0657 Lb]	SIZE A3	CAGE CODE 00779
		CUSTOMER DRAWING	DRAWING NO C- 603318	RESTRICTED TO -
		SCALE NTS	SHEET 1	OF 1
			REV H	

单击下面可查看定价，库存，交付和生命周期等信息

[>>TE Connectivity\(泰科\)](#)