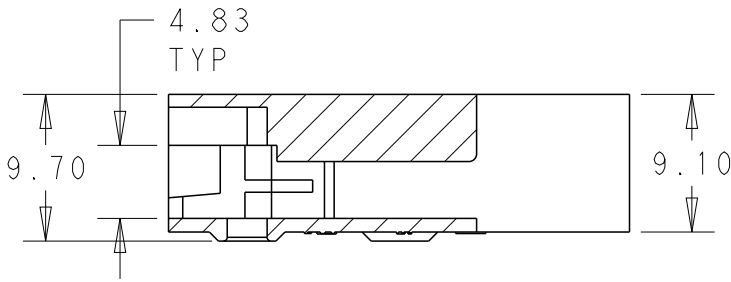
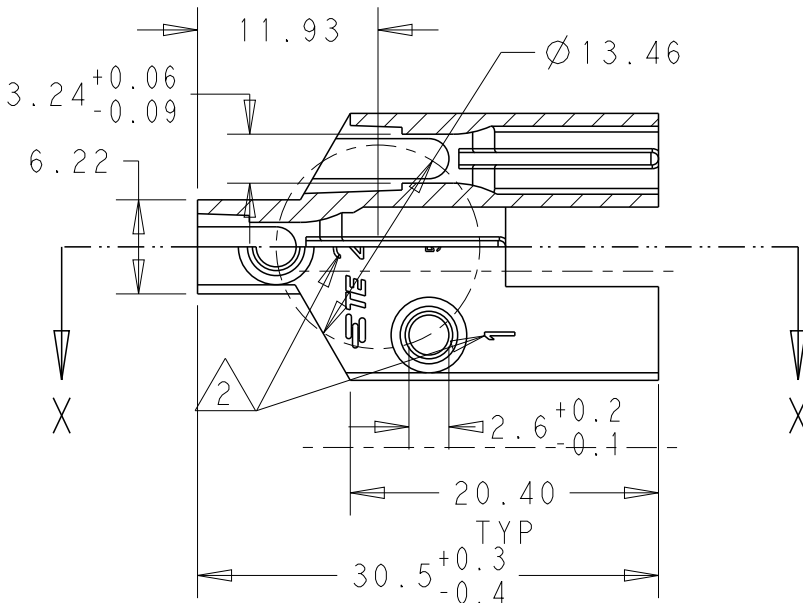
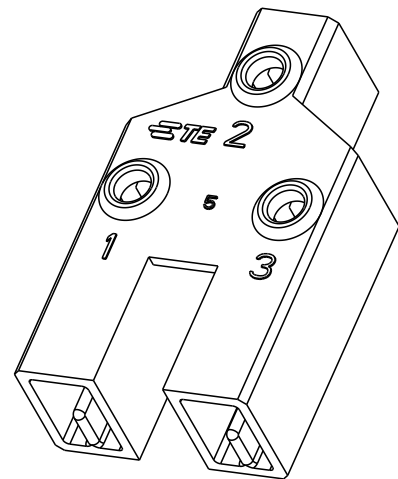


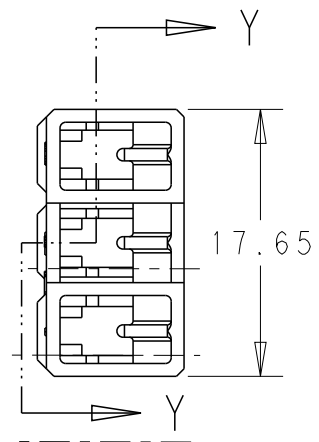
LOC	DIST	REVISIONS					
CN	-	P	LTR	DESCRIPTION	DATE	DWN	APVD
		C		REVISED AS PER ECR-16-005625	19APR2016	MKD	PKS



SECTION X - X



SECTION Y - Y



NOTES:

- ① MATERIAL CONFORM TO UL94V0 AND GWT 750 NF
- ② CIRCUIT IDENTIFICATION NUMBER

NATURAL	PA6 GF	①	2232327-2
NATURAL	PBT		2232327-1
FINISH	MATERIAL		PART NUMBER

20  
 RELEASED FOR PUBLICATION  
 ALL RIGHTS RESERVED.  
 BY TE CONNECTIVITY  
 COPYRIGHT 20

DIMENSIONS:	DWN	01MAR2013	MATERIAL	FINISH
mm	WINTER WANG		-	-
TOLERANCES UNLESS OTHERWISE SPECIFIED:	CHK	01MAR2013	TE Connectivity	
0 PLC ±-	JAIN LIU			
1 PLC ±-	APVD	01MAR2013		
2 PLC ±0.3	YUHONG MAO			
3 PLC ±-	PRODUCT SPEC	108-2008	NAME	
4 PLC ±-	APPLICATION SPEC	-	CLUSTER BLOCK HSG	
ANGLES ±-	WEIGHT	-	SIZE	CAGE CODE
			A 4	00779
	Customer Drawing		DRAWING NO	RESTRICTED TO
			C-2232327	-
			SCALE	SHEET 1 OF 1
			-	REV C

单击下面可查看定价，库存，交付和生命周期等信息

[>>TE Connectivity\(泰科\)](#)