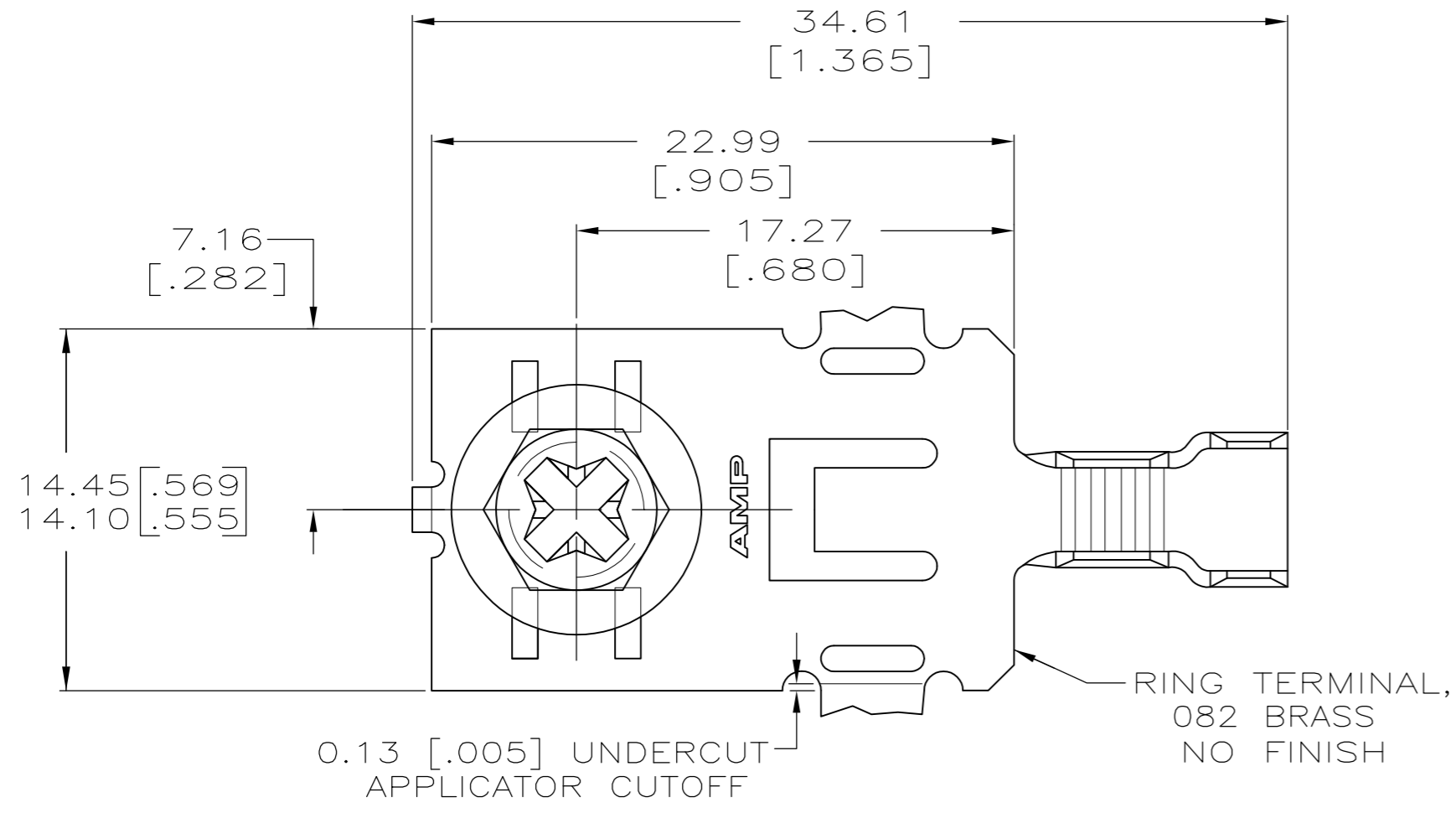
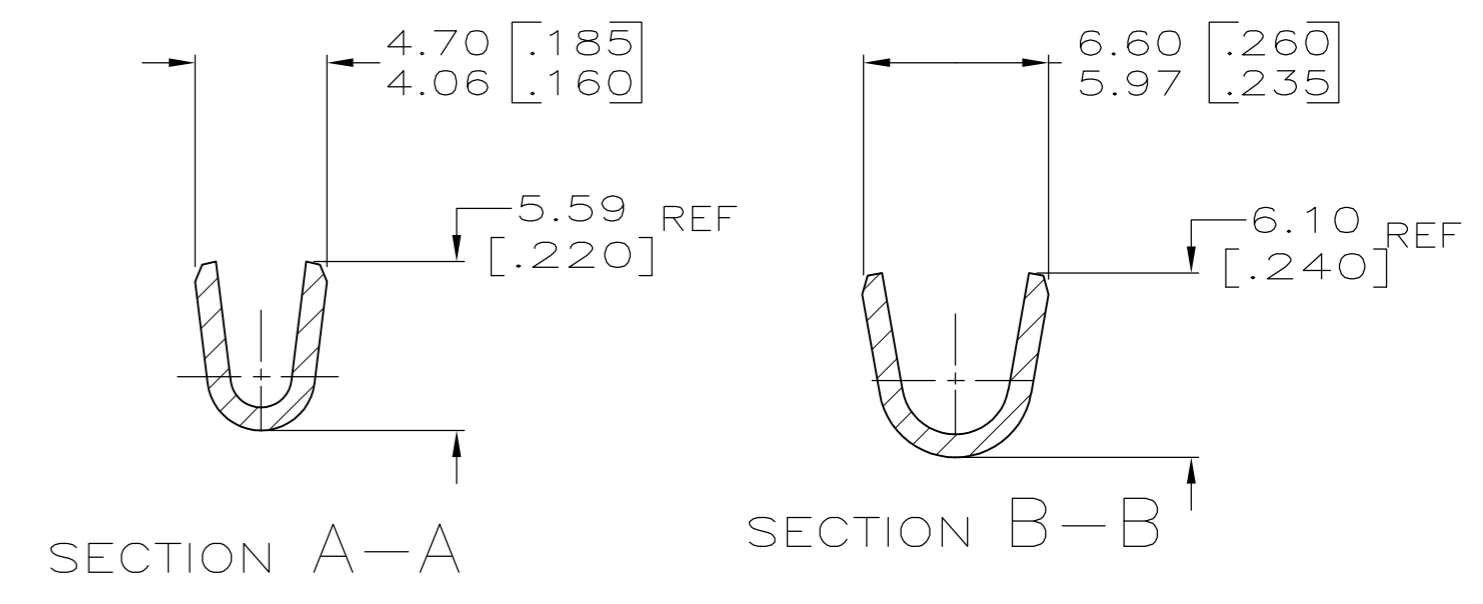
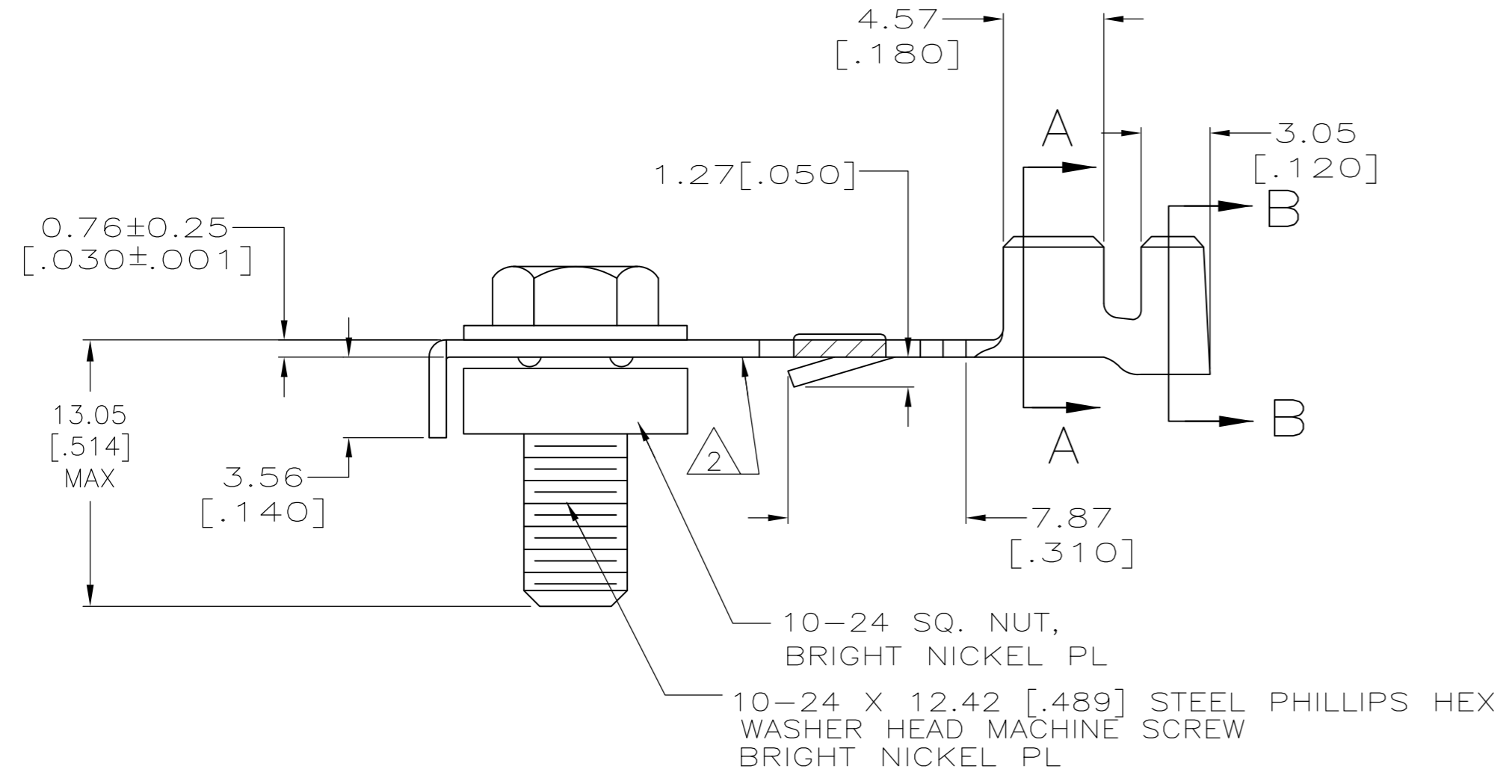


THIS DRAWING IS UNPUBLISHED. RELEASED FOR PUBLICATION  
 © COPYRIGHT - By - ALL RIGHTS RESERVED.

LOC		DIST		REVISIONS			
P	LTR	DESCRIPTION	DATE	DWN	APVD		
AF	50	B1	REVISED PER ECR-11-025318	19DEC11	KH	GJ	



- 1 CONTINUOUS STRIP ON REEL.
- 2 VERTICAL BURRS NOT TO EXCEED 0.13 [.005] ALONG THIS EDGE.
- 3 BACK OUT TORQUE OF SCREW TO BE A MIN OF 5 INCH LBS AND A MAX OF 25 INCH LBS.
- 4 REFERENCE APPLICATOR LOG SHEET FOR CRIMP INFORMATION.
- 5 PART TO HAVE HARDENED NUTS



2.79-4.06 [.110-.160] DIA	#16-#12 AWG	521844-1
INSULATION RANGE	WIRE RANGE	PART NUMBER

THIS DRAWING IS A CONTROLLED DOCUMENT.		DWN	JR RUTH	13SEP05		TE Connectivity			
DIMENSIONS: mm [INCHES]		CHK	DONALD DECKER	13SEP05		NAME			
TOLERANCES UNLESS OTHERWISE SPECIFIED:		APVD	DONALD DECKER	13SEP05		PRODUCT SPEC			
0 PLC ± - 1 PLC ± - 2 PLC ± 0.38[.015] 3 PLC ± - 4 PLC ± - ANGLES ± -		APPLICATION SPEC		108-1191					
MATERIAL		FINISH		WEIGHT	SIZE		CAGE CODE	DRAWING NO	RESTRICTED TO
SEE COMPONENT		SEE COMPONENT		-	A2		00779	C=521844	-
CUSTOMER DRAWING				SCALE	4:1	SHEET	1 OF 1	REV	B1

单击下面可查看定价，库存，交付和生命周期等信息

[>>TE Connectivity\(泰科\)](#)