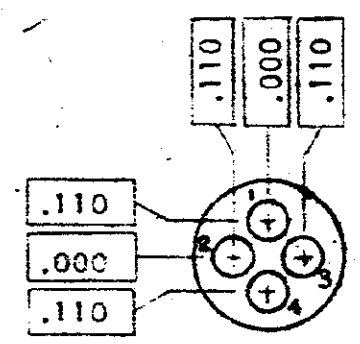
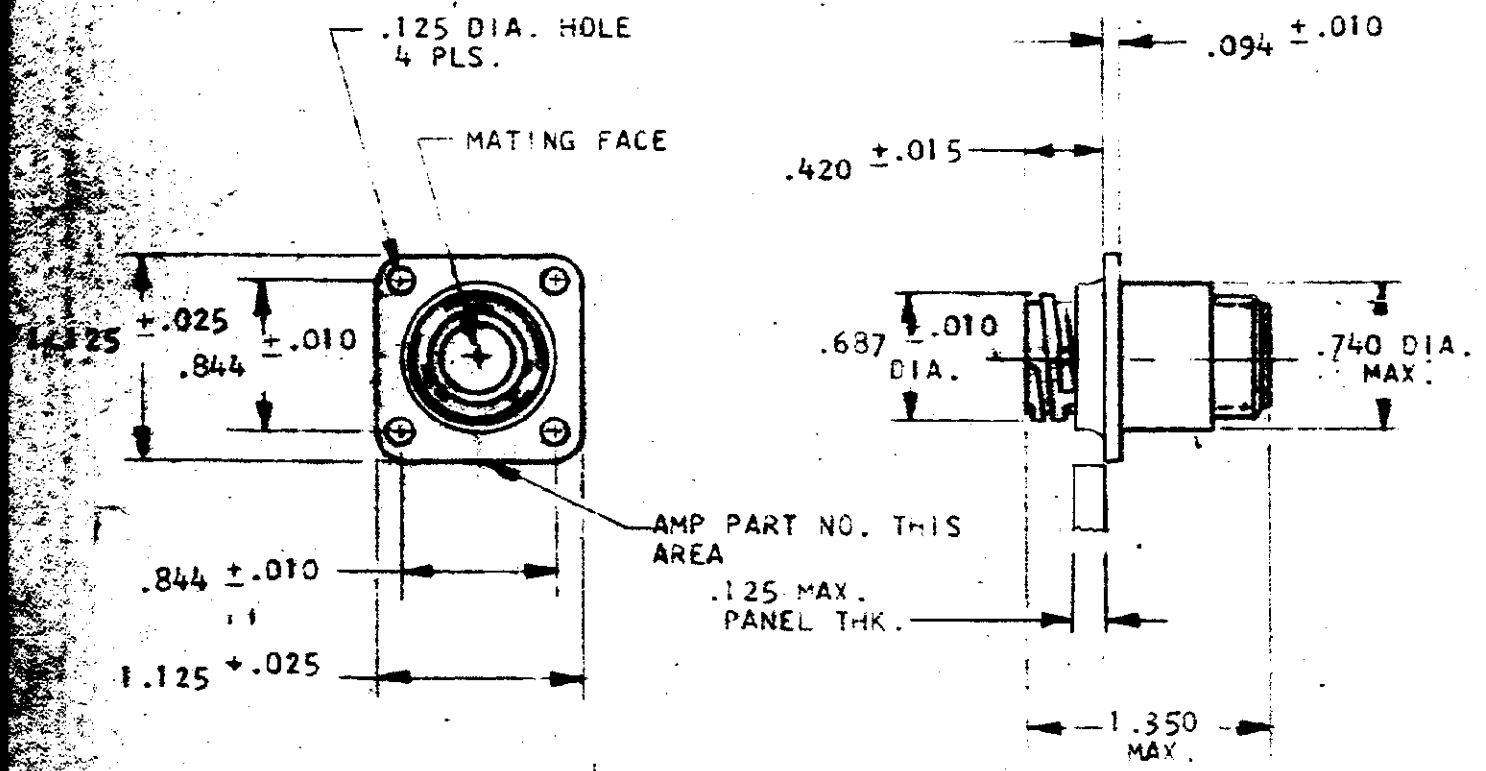


THIRD ANGLE PROJECTION

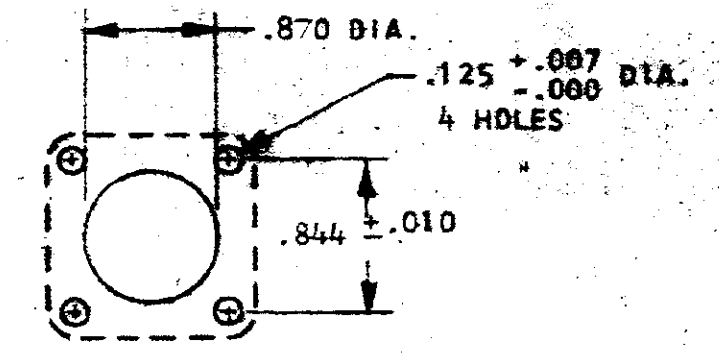
NOT BE RELEASED OR REPRODUCED WITHOUT THE WRITTEN PERMISSION OF AMP INCORPORATED, HARRISBURG, PA. ALL INTERNATIONAL RIGHTS RESERVED. AMP PRODUCTS MAY BE COVERED BY U.S. AND FOREIGN PATENTS AND/OR PATENTS PENDING.

211427-1 1. AS SHOWN.  
2. NORMAL KEYING.

		REVISIONS				LOC	DIST
P	F	ZONE	LTR	DESCRIPTION	DATE	APPROVED	
✓	✓			RELEASED (WAS 5029-1201)	7-27-83	TLS	
✓	✓	A		REV PER ECM K-385	7-28-83	BLP	



CONFIGURATION OF MATING FACE OF CONNECTOR



PANEL CUTOUT

- CONTACT CAVITIES IDENTIFIED BY CHARACTERS ON FRONT AND REAR FACES.
- THIS CONNECTOR WILL ACCEPT (4) MULTIMATE PIN CONTACTS.

UNLESS OTHERWISE SPECIFIED DIMENSIONS ARE IN INCHES. TOLERANCES ON: .005 DECIMALS ± .0005 ANGLES ± H		CONTRACT NO.		PART NO.	
MATERIAL THERMOPLASTIC COLOR: GREY		QP <i>Tony L. South 1/27/83</i> CM <i>Tony L. South 1/27/83</i> APP <i>Tony L. South 1/27/83</i>		<b>AMP</b>   AMP INCORPORATED Harrisburg, Pa.	
FINISH H		NAME CPC, RECEPTACLE ARRANGEMENT 11-4, STD. SEX., CLASS A		DRAWING NO. 211427	
OTHER APPD		SIZE B	FSCM NO. 00779	SCALE 1 OF 1	

单击下面可查看定价，库存，交付和生命周期等信息

[>>TE Connectivity\(泰科\)](#)