

THIS DRAWING IS UNPUBLISHED. RELEASED FOR PUBLICATION SEP ,2005.
 © COPYRIGHT 2005 By - ALL RIGHTS RESERVED.

LOC	DIST	REVISIONS					
E	B	P	LTR	DESCRIPTION	DATE	DWN	APVD
		D		ECO-15-008351	12JUN2015	RZ	RS

- NOTES:**
- ① SINGLE PACKING: ONE CONNECTOR PER LABELED BAG PACKAGED. LABELED PER TEC-107-115
 - ② TRAY PACKAGED
 - ③ Ag PLATING
 - ④ THIS ITEM MUST BE WHITE

- 5. HAND TOOL: 9-1478240-0
- 6. DIE SET: 9-1478242-0

7. ELECTRICAL CHARACTERISTICS

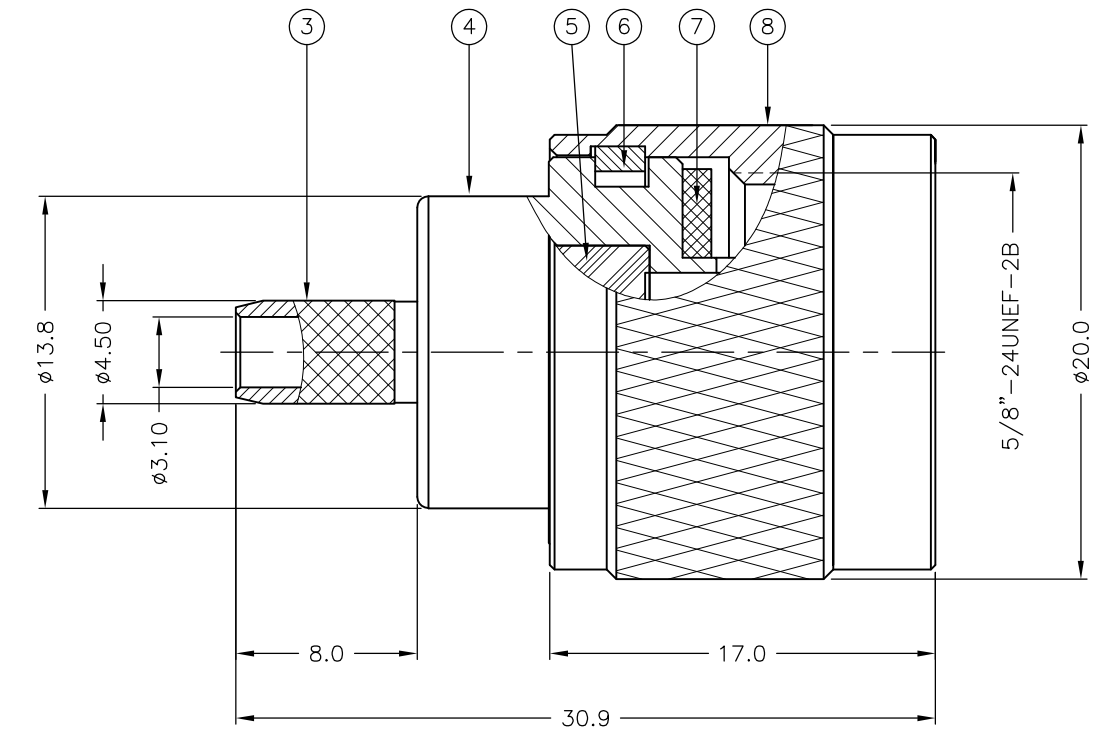
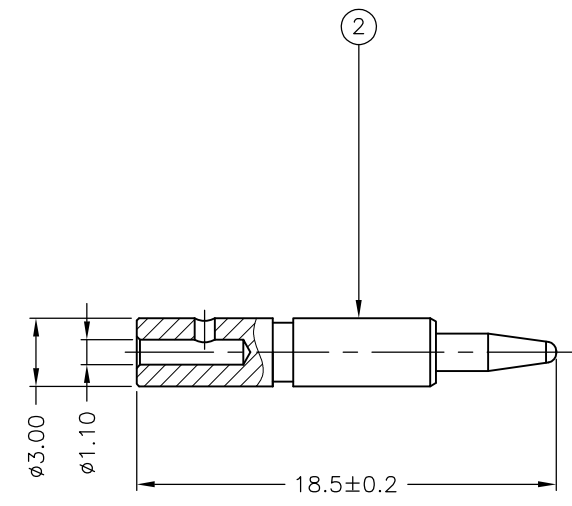
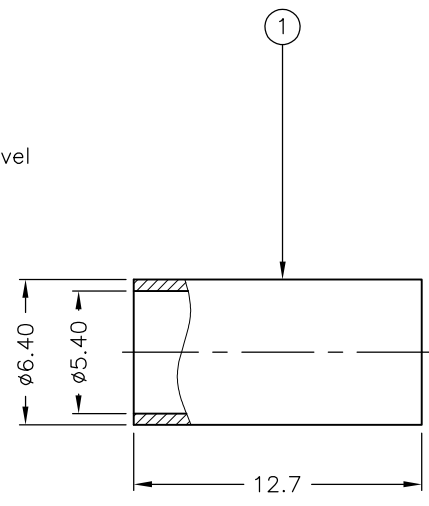
FREQUENCY RANGE:	DC - 11 GHz
NOMINAL IMPEDANCE:	50 Ohm
INSULATION RESISTANCE:	5000 MOhm
WORKING VOLTAGE:	1000 Volts RMS at Sea Level
DIELECTRIC WITHSTAND VOLTAGE:	2500 Volts RMS Max
CONTACT RESISTANCE:	
CENTER CONTACT:	1.00 mOhm Max
OUTER CONTACT:	1.00 mOhm Max
VSWR @ 4GHz:	1.30:1 Max
INSERTION LOSS dB @ x 4 GHz:	0.30 Max

8. MECHANICAL CHARACTERISTICS

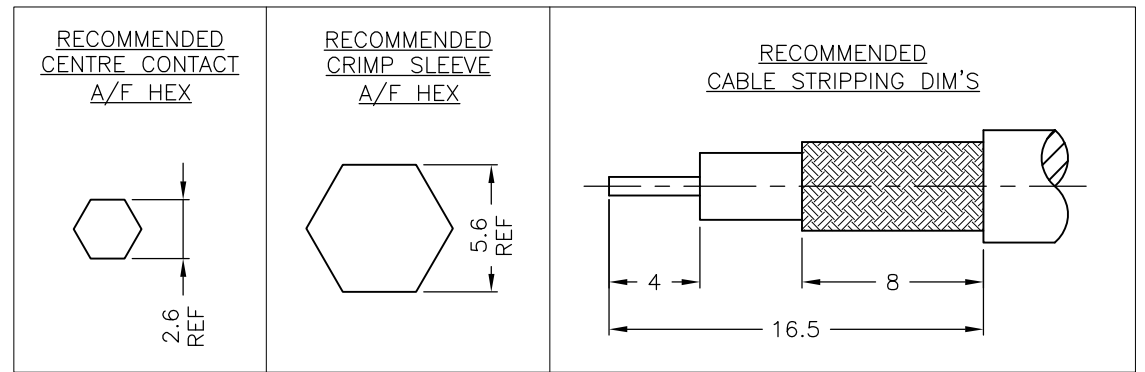
COUPLING NUT RETENTION FORCE:	445N Min
CABLE RETENTION FORCE:	128N Min
DURABILITY:	500 Cycles Min

9. ENVIRONMENTAL CHARACTERISTICS

OPERATING TEMPERATURE:	-65 to +165 DegC
------------------------	------------------



QTY	PLC	QTY	MATERIAL	NOTE	DESCRIPTION	ITEM
1	1		BRASS	③	SHELL	8
1	1		SILICON RUBBER	④	GASKET	7
1	1		PHOSPHOR BRONZE		CIRCLIP	6
1	1		PTFE		INSULATION	5
1	1		BRASS	③	BODY	4
1	1		BRASS	③	CHASSIS	3
1	1		BRASS	③	CONTACT	2
1	1		BRASS	③	FERRULE	1
6--0	1--0		MATERIAL		DESCRIPTION	ITEM
②	①					



THIS DRAWING IS A CONTROLLED DOCUMENT.		DWN J.SANDWELL 21SEP05		
DIMENSIONS: mm		CHK S.PARLOW 21SEP05		
TOLERANCES UNLESS OTHERWISE SPECIFIED:		APVD F.WHEELER-KING 21SEP05	NAME	
0 PLC ± -		PRODUCT SPEC	TYPE-N STRAIGHT PLUG CRIMP 50 OHM	
1 PLC ± 0.5		APPLICATION SPEC	RG58C/U, 141A/U, URM43, 76, Belden 9907, KX15	
2 PLC ± 0.1		411-3247	SIZE	CAGE CODE
3 PLC ± -		WEIGHT -	A3	00779
4 PLC ± -		CUSTOMER DRAWING	DRAWING NO	C-1337416
ANGLES ± -		SCALE NTS	SHEET	1 OF 1
FINISH SEE TABLE		RESTRICTED TO	REV	D

单击下面可查看定价，库存，交付和生命周期等信息

[>>TE Connectivity\(泰科\)](#)