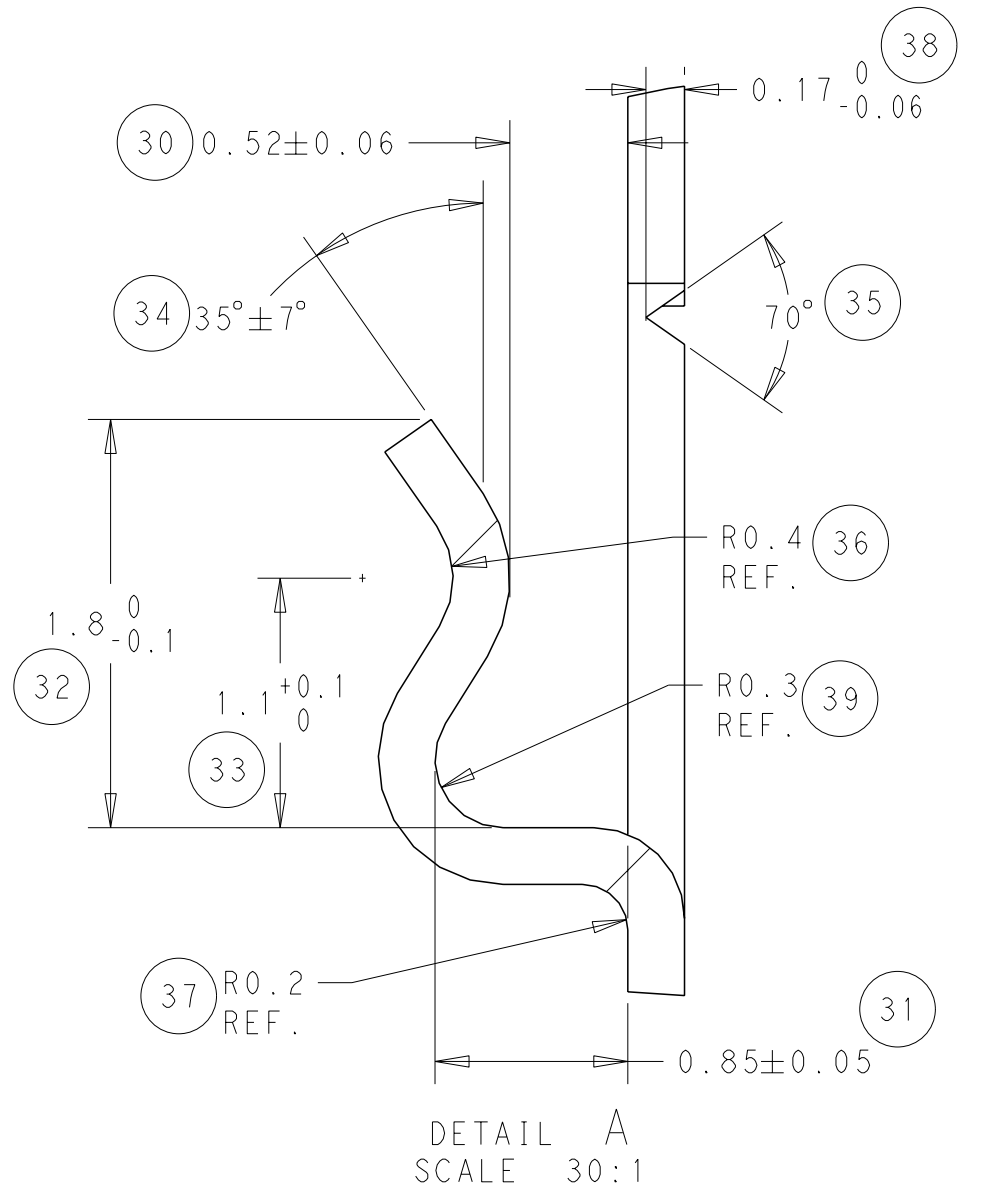
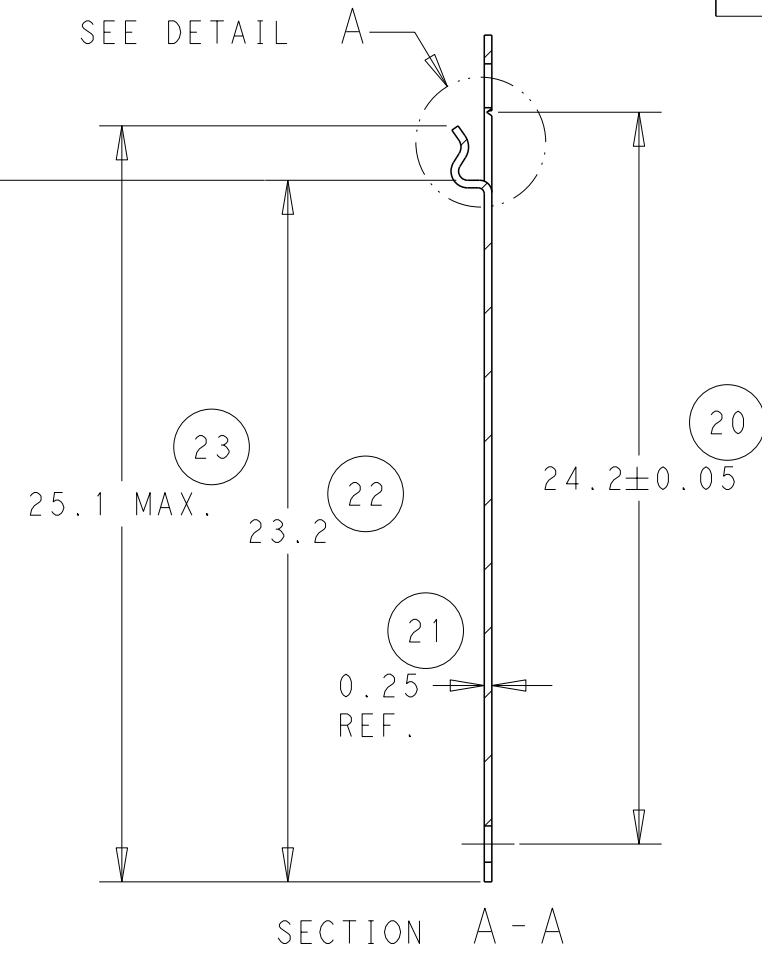
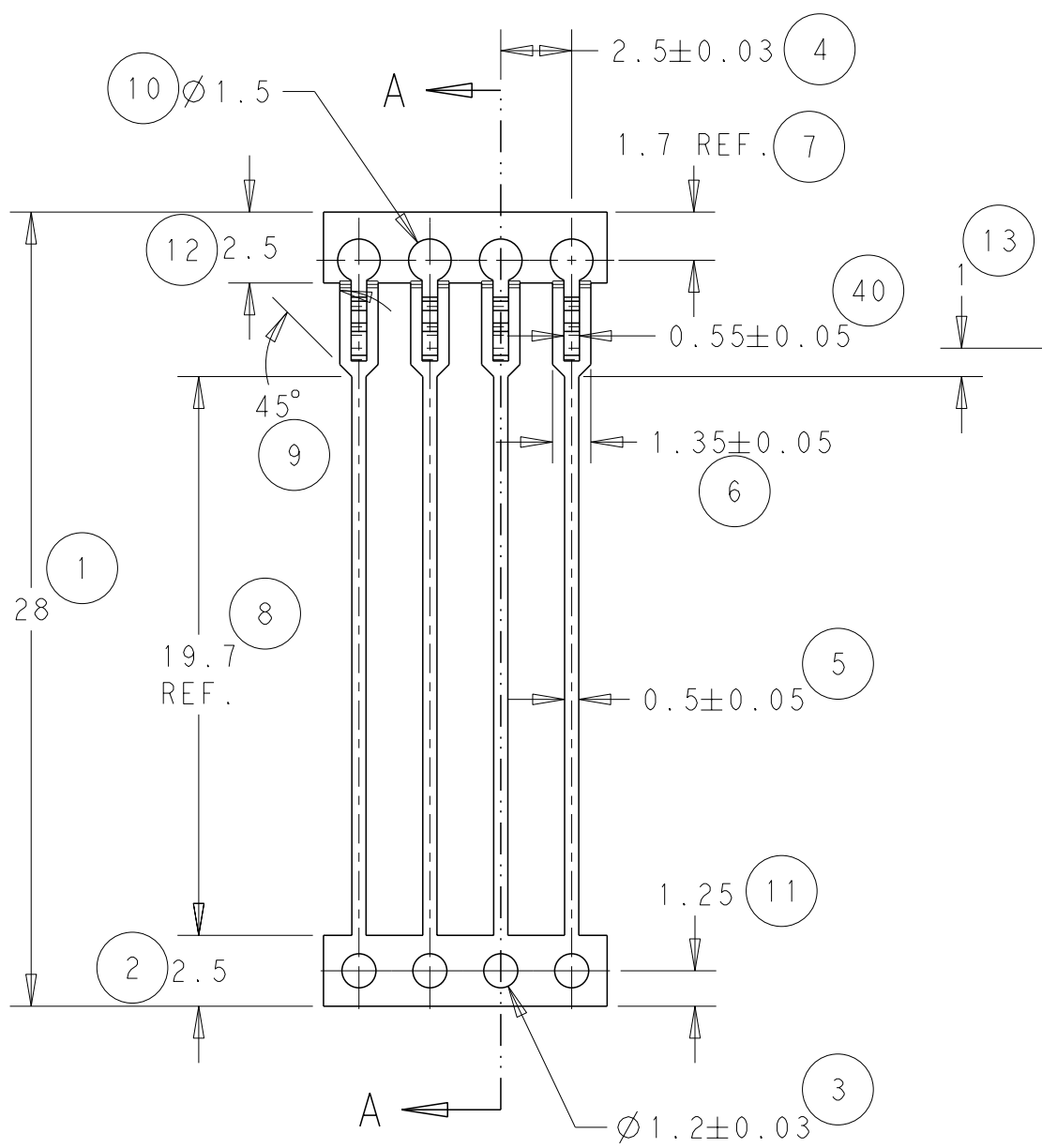
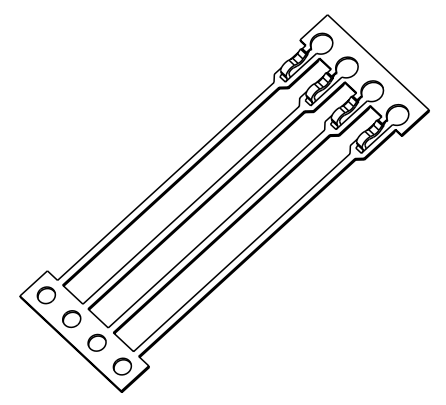


THIS DRAWING IS UNPUBLISHED. RELEASED FOR PUBLICATION 2011
 © COPYRIGHT 2011 TE CONNECTIVITY ALL RIGHTS RESERVED.

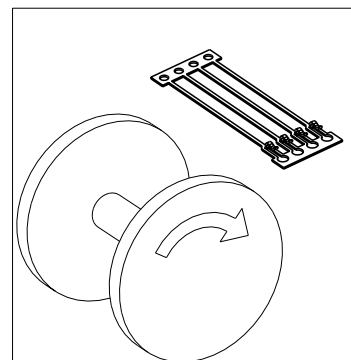
LOC	DIST	REVISIONS				
P	LTR	DESCRIPTION	DATE	DWN	APVD	
B	-	J	ECR-13-001710	29/01/13	JB	MG



NOTE
 BOWING: AFTER UPPER TIE BAR REMOVAL- 2.0mm MAX. FOR 500mm
 PITCH: AFTER UPPER TIE BAR REMOVAL- 2.5±0.2



SCALE 2:1



DIRECTION OF TOP OF REEL

DIRECTION "0" CONTACTS DOWN	DIRECTION "1" CONTACTS UPWARDS	DIRECTION
--------------------------------	-----------------------------------	-----------

THIS DRAWING IS A CONTROLLED DOCUMENT.

DIMENSIONS: mm	TOLERANCES UNLESS OTHERWISE SPECIFIED: 0 PLC ±- 1 PLC ±0.1 2 PLC ±0.05 3 PLC ±0.05 4 PLC ±- ANGLES ±3 FINISH SEE TABLE
MATERIAL PhBz	

0	PRE-TIN	0-1544118-1
REELING	FINISH	PART NUMBER
DWN J. BRIGHT 01/09/11		
CHK M. GREENER 01/09/11		
APVD D. PENNINGTON 01/09/11		
PRODUCT SPEC		
APPLICATION SPEC	NAME SIL CONTACT	
WEIGHT	SIZE A300779	CAGE CODE C-1544118
CUSTOMER DRAWING	SCALE NTS	SHEET 1 OF 1 REV J

单击下面可查看定价，库存，交付和生命周期等信息

[>>TE Connectivity\(泰科\)](#)