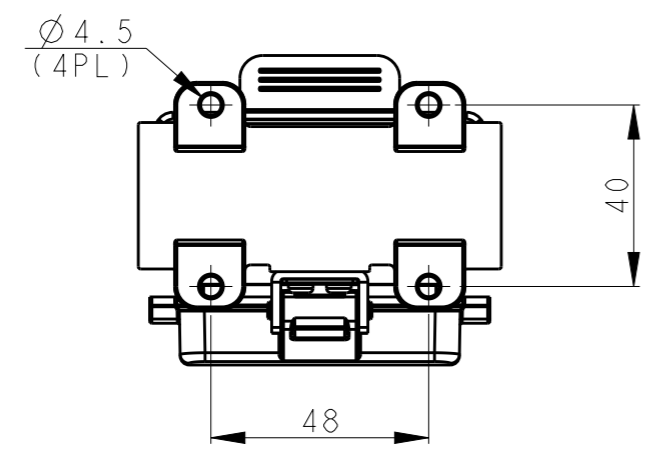
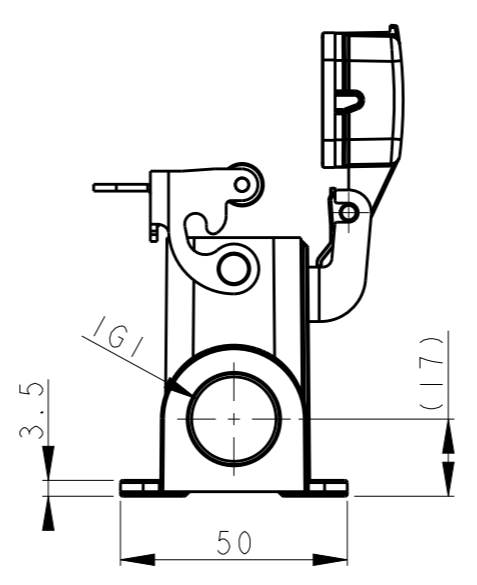
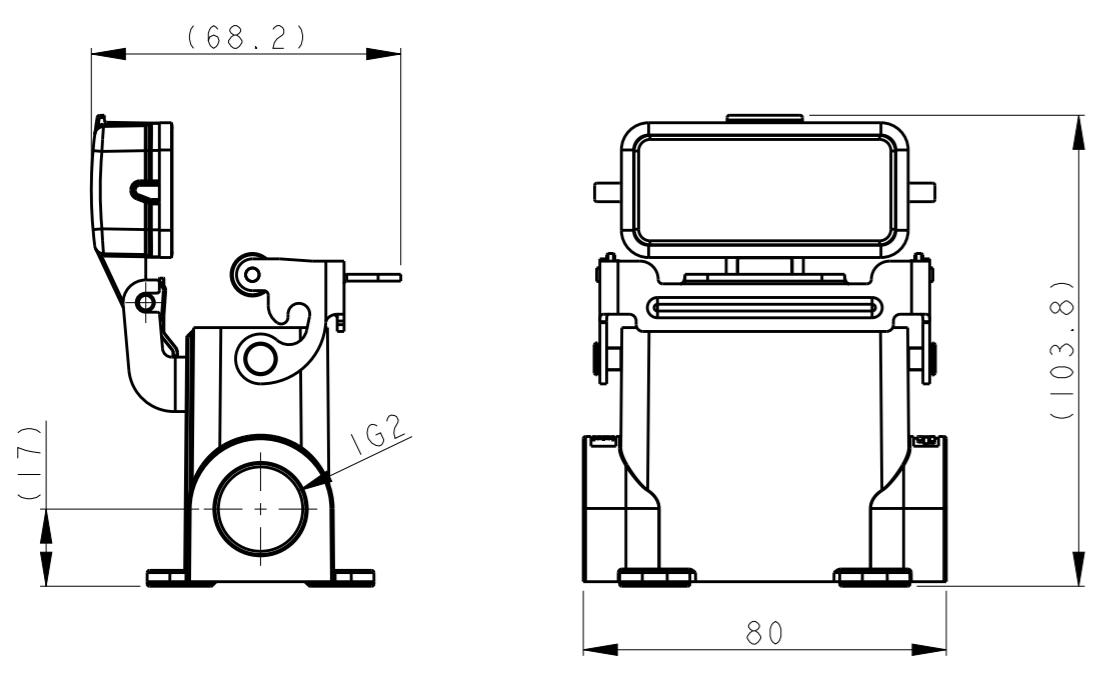
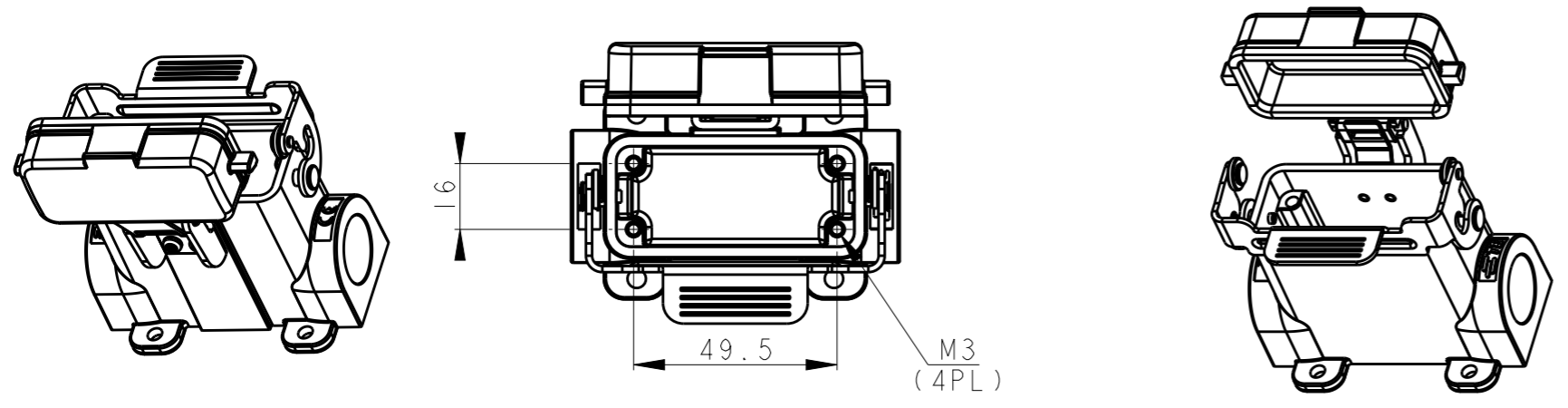


THIS DRAWING IS UNPUBLISHED. RELEASED FOR PUBLICATION 20
 © COPYRIGHT 20 BY - ALL RIGHTS RESERVED.

REVISIONS					
P	LTR	DESCRIPTION	DATE	DWN	APVD
	A	INITIAL RELEASE	24APR2015	DL	CW
	B	ECR-20-008424	14DEC2020	BS	CW



NOTES:
 1. TECHNICAL CHARACTERISTICS:
 BODY MATERIAL: DIE CAST ALUMINIUM ALLOY
 SURFACE TREATMENT: POWDER-COATED, GRAY
 DEGREE OF PROTECTION: IP65 (MATED)

注释:
 1. 技术参数:
 主体材料: 铝合金
 表面处理: 粉末喷涂, 灰色
 防护等级: IP65(配合)

T1629101116-000	H10A-SDRMS-PG16	PG16	-
T1629101120-000	H10A-SDRMS-M20	M20	-
T1629101121-000	H10A-SDRMS-PG21	PG21	-
T1629101125-000	H10A-SDRMS-M25	M25	-
T1629101216-000	H10A-SDRMS-2PG16	PG16	PG16
T1629101220-000	H10A-SDRMS-2M20	M20	M20
T1629101221-000	H10A-SDRMS-2PG21	PG21	PG21
T1629101225-000	H10A-SDRMS-2M25	M25	M25
ASSEMBLY PART NUMBER	ASSEMBLY PART DESCRIPTION	1G1	1G2

THIS DRAWING IS A CONTROLLED DOCUMENT.		DWN 24APR2015 DAVID LI				
DIMENSIONS: mm		CHK 24APR2015 CHRIS WANG			NAME H10A-SDRMS-PG/M	
TOLERANCES UNLESS OTHERWISE SPECIFIED:		APVD 24APR2015 XU XIANG				
0 PLC ±- 1 PLC ±- 2 PLC ±- 3 PLC ±- 4 PLC ±- ANGLES ±-		PRODUCT SPEC 108-137010				
MATERIAL		APPLICATION SPEC 108-137010	SIZE A3	CAGE CODE -	DRAWING NO C-T1629101XXX000	RESTRICTED TO -
FINISH		WEIGHT -	SCALE 3:5		SHEET 1 OF 1	REV B
		CUSTOMER DRAWING				

单击下面可查看定价，库存，交付和生命周期等信息

[>>TE Connectivity\(泰科\)](#)