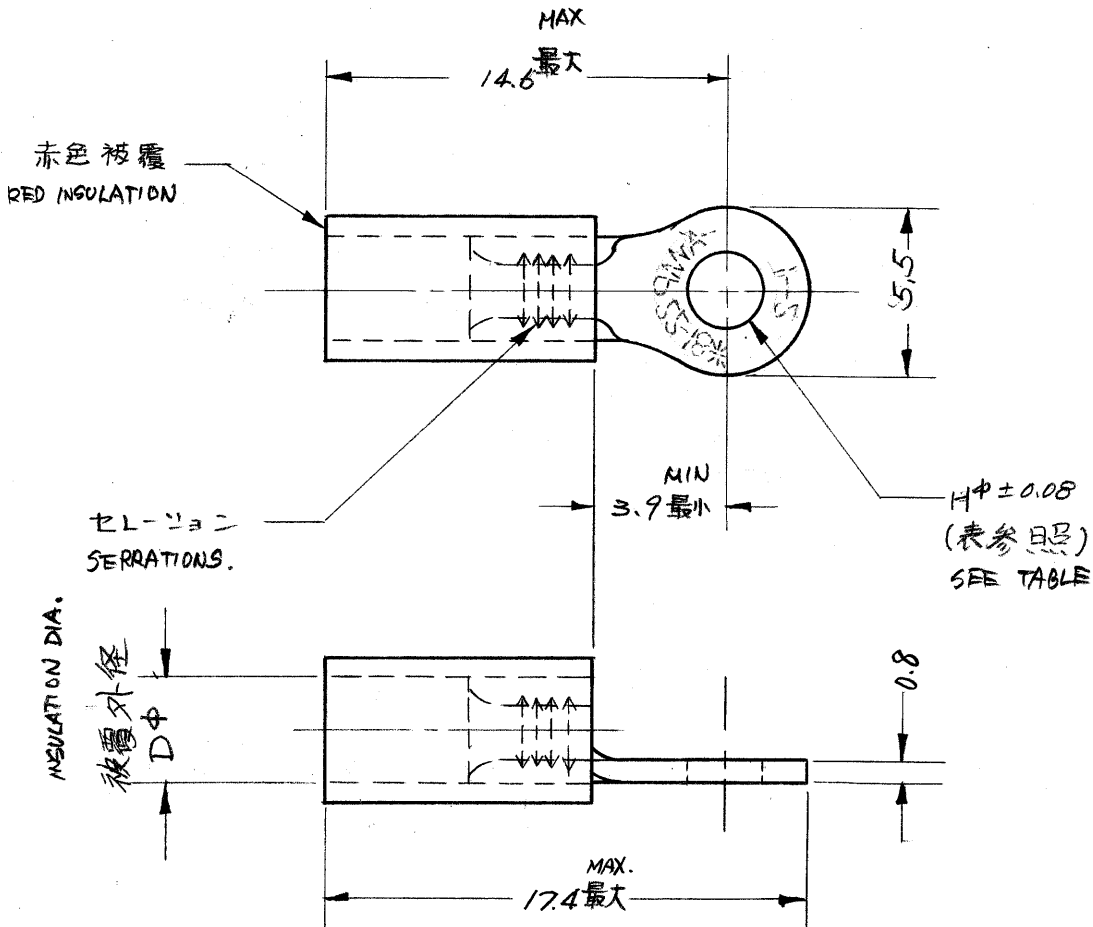


△ OBSOLETE PARTS: OBSOLETE CIS STREAMLINING PER D.RENAUD/D.SINISI



	P/N	STUD	INSULATION DIA.
△ OBSOLETE	型番	スタッド	被覆外径 D <sup>中</sup>
	171510-1	#2	2.36
	-2	#4	3.02
	-3	#6	3.68
	-4	#2	2.36
	-5	#4	3.02
	171510-6	#6	3.68

D2	REV PER ECO-10-000444	KK	AEG	08JAN 10	©1975 BY AMP (Japan), Ltd. ALL RIGHTS RESERVED. AMP PRODUCTS COVERED BY PATENTS AND/OR PATENTS PENDING.	参考図面 (CUSTOMER COPY REFERENCE ONLY)
D1	OBSOLETE (P-DWG) (REV. A)	K.N	4.7	6/18/93	材料 (MATERIAL) 電気銅 (COPPER)	AMP   AMP (JAPAN), LTD. Tokyo, Japan
D	REVISED (P-DWG) (REV. B)	K.Y.	4.8	6/20/78	仕上 (FINISH) ANNEALED S.P.L.	
C	REVISED (P-DWG) (REV. B)	S.O	4.8	1/18/72	焼在製, 錫めっき	分類 (CLASS) ー
B	ADDED MARK	H.S	4.1	8/11/75	抱合電線断面積 (WIRE RANGE) 0.26~1.04 mm <sup>2</sup> (AWG 22-18)	型式 (TYPE) PLASTIC
A	REVISED (P-DWG) (REV. A)	H.S	4.1	7/1/75	被覆外径 (INSULATION DIA.) 表参照 SEE TABLE mm (— IN)	プラスチック グリップ GRIP
LTR.	変更 (REVISION RECORD)	DR.	CHK.	DATE	一般公差 (TOLERANCE) EXCEPT AS NOTED ±0.4 ±1°	尺度 (SCALE) 4:1
DR.	2/14/75	DR.	CHK.	DATE	LOC	SIZE
CHK.	2/14/75	APP.	2/14/75	2/14/75	番号 (NO.)	REV.
					J A C - 171510 D2	
					名称 (NAME) 丸型端子 RING TONGUE TERMINAL	

单击下面可查看定价，库存，交付和生命周期等信息

[>>TE Connectivity\(泰科\)](#)