

8

7

6

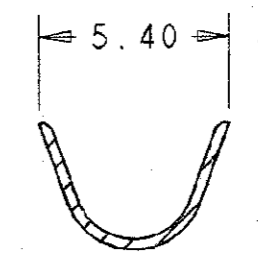
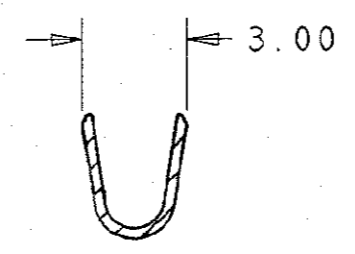
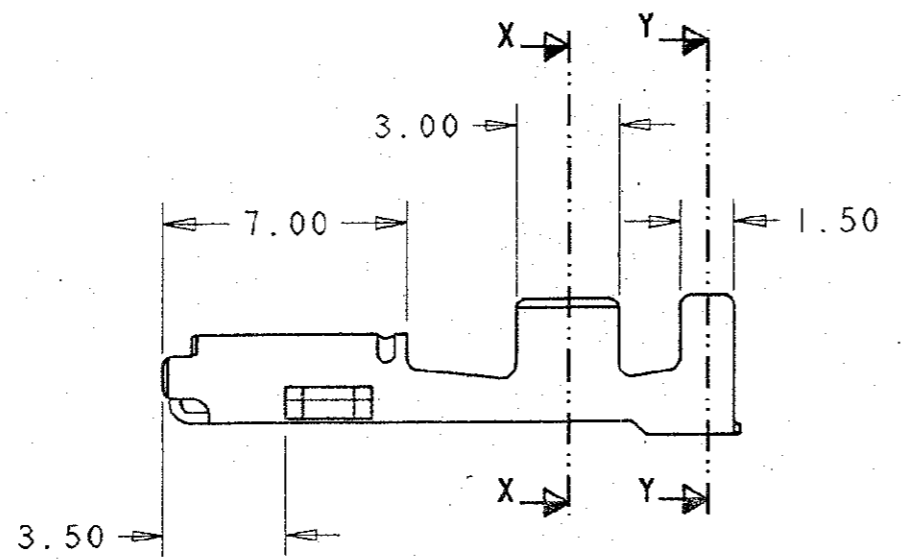
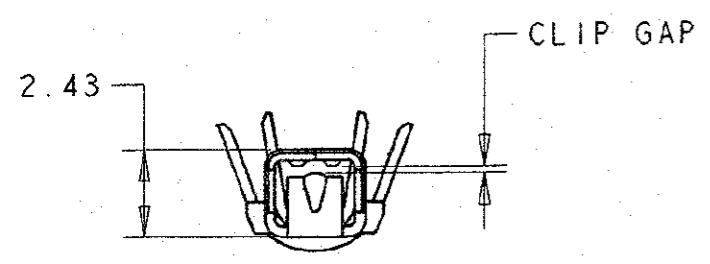
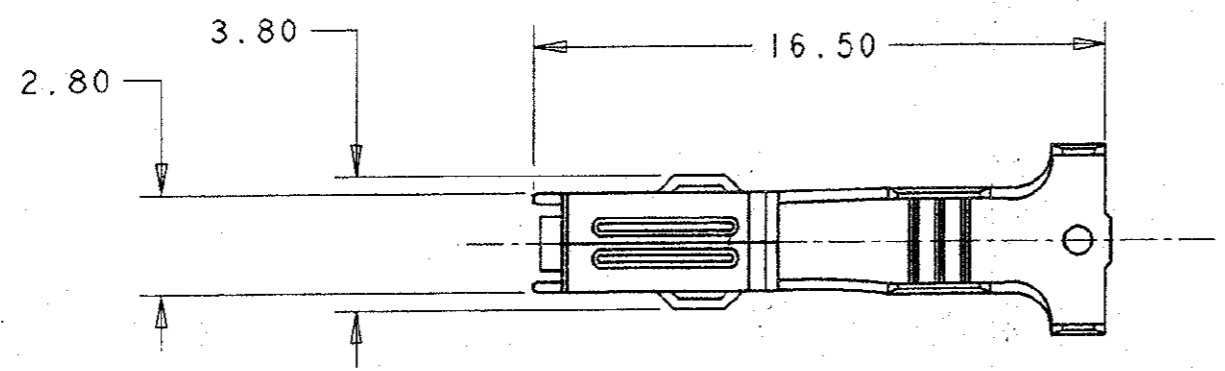
5

4

3


2

DO NOT SCALE DIMENSIONS IN MM.



WIRE RANGE: 0.75 TO 2.00 mm².
 FOR SEALED APPLICATIONS, SINGLE WIRES ONLY MUST BE USED.
 FOR UNSEALED APPLICATIONS, SINGLE WIRES ARE SUITABLE FOR THE RANGE 0.75 TO 2.00 mm² OR DOUBLE WIRES 2 X 0.50 mm² ONLY.

INSULATION RANGE: SINGLE WIRES 1.65 TO 2.70 MM DIA. OR DOUBLE WIRES 2 X 1.6 MM DIA. ONLY. THIN WALLED CABLE TO BE USED.

PRE-TINNED		BRASS		345806-1					
FINISH		MATERIAL		PART NUMBER					
CUSTOMER DWG FOR REFERENCE ONLY			RELEASED FOR PUBLICATION 14 SEP 1990						
TOLERANCES UNLESS OTHERWISE STATED :		DR. R. S.		14.9.90					
DEC ± 0.5		CH. R. J. S.		APP. J. P.					
ANGLES ± 1°		 TE Connectivity							
NAME									
.070 RECEPTACLE ECONOSEAL 3									
A1	HMR	ECO-11-005294	13APR11	SCALE	LOC	SIZE	DWG. No.	REV	SHEET
REV	APPROVED	ECO	DATE	5 / 1	E	A 3	C345806	A1	1 / 1

单击下面可查看定价，库存，交付和生命周期等信息

[>>TE Connectivity\(泰科\)](#)