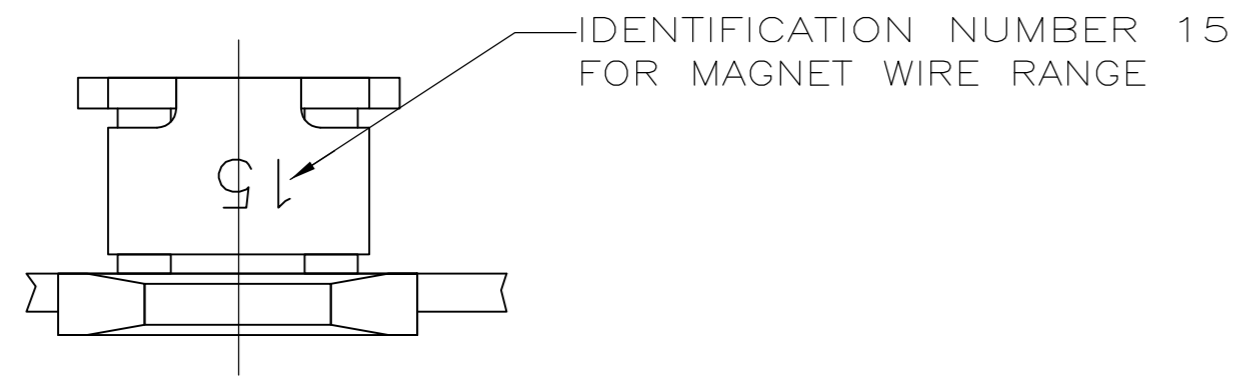
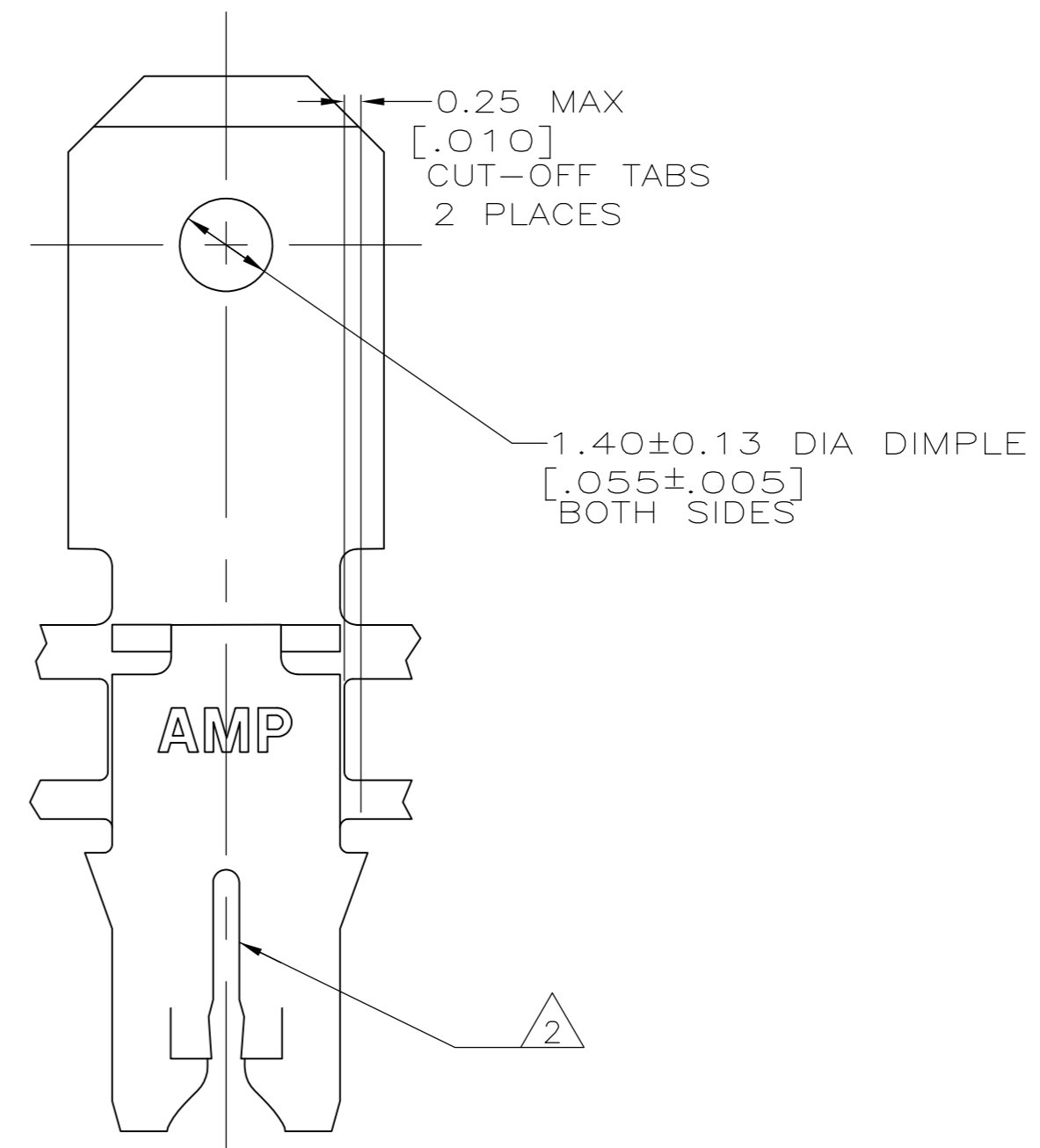
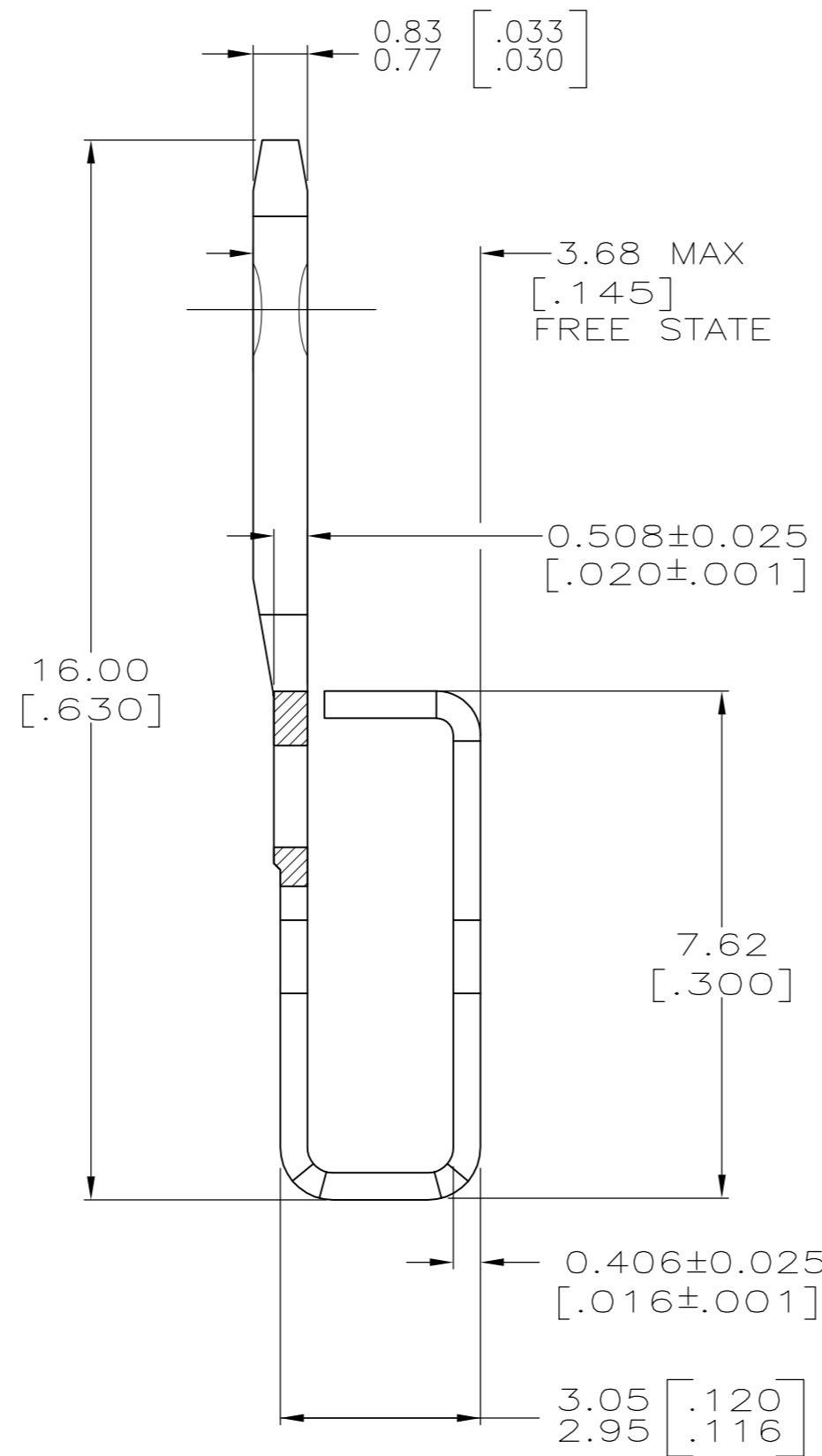
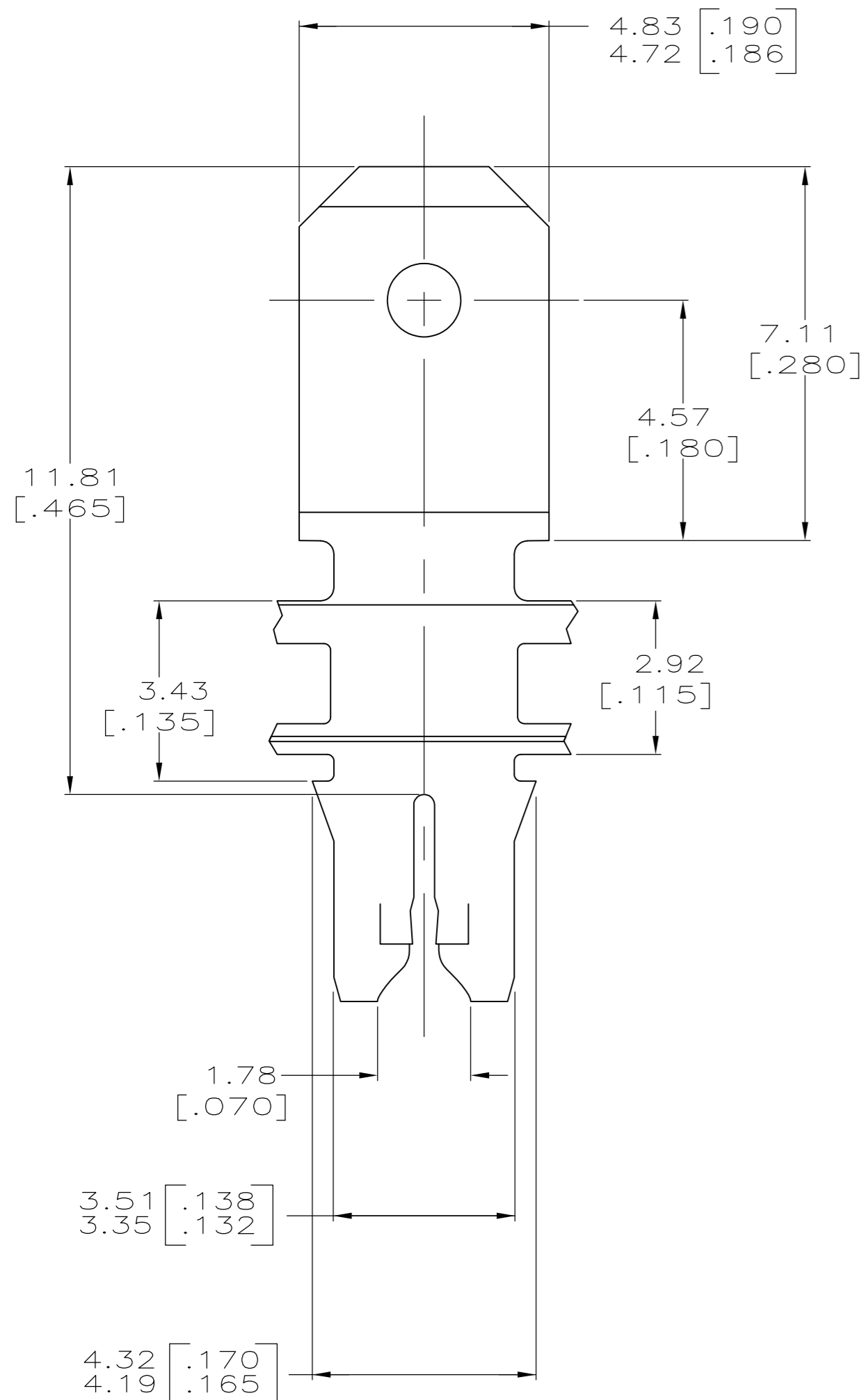


THIS DRAWING IS UNPUBLISHED. RELEASED FOR PUBLICATION
 © COPYRIGHT - By - ALL RIGHTS RESERVED.

| LOC | | DIST | | REVISIONS | | | |
|-----|-----|-------------|---------------|-----------|-----|------|--|
| P | LTR | DESCRIPTION | | DATE | DWN | APVD | |
| AF | 50 | D2 | ECR-15-005665 | 10AUG2015 | BDA | PKS | |



- CONTINUOUS STRIP ON REELS WITH TERMINALS LOCATED ON 5.59±0.08 [.220±.003] CENTERS.
- SLOT ACCEPTS A SINGLE WIRE MAX OF 0.64-0.81mm [#22-#20] AWG COPPER MAGNET WIRE.
 SLOT ACCEPTS A SINGLE WIRE MAX OF 0.72-0.91mm [#21-#19] AWG ALUMINUM MAGNET WIRE
 ALUMINUM WIRE RANGE APPLIES FOR POST-TIN PLATED VERSIONS ONLY.
- AFTER INSERTION INTO PLASTIC HOLDER TAB PORTION MUST BE BENT OVER 45° TO 90° OR POTTED-IN TO PREVENT PULL-OUT WHEN MATING RECEPTACLE IS DISCONNECTED.



1217065-1
PART NUMBER

| | | | | | | | |
|--|-----------|------------------|----------|---|-----|------------|---------------|
| THIS DRAWING IS A CONTROLLED DOCUMENT. | | DWN | 26FEB98 | TE Connectivity TERMINAL, TAB 4.75[.187] FASTON™ MAG-MATE™ | | | |
| DIMENSIONS: mm [INCHES] | | CHK | 26FEB98 | | | SIZE | CAGE CODE |
| TOLERANCES UNLESS OTHERWISE SPECIFIED: | | APVD | 26FEB98 | | | DRAWING NO | RESTRICTED TO |
| 0 PLC ± - 1 PLC ± - 2 PLC ± 0.25[.010] 3 PLC ± - 4 PLC ± - ANGLES ± - | | PRODUCT SPEC | 108-2012 | | | SCALE | SHEET |
| MATERIAL | FINISH | APPLICATION SPEC | 114-2046 | WEIGHT | REV | | |
| BRASS | TIN PLATE | CUSTOMER DRAWING | | | | | |

单击下面可查看定价，库存，交付和生命周期等信息

[>>TE Connectivity\(泰科\)](#)