

4

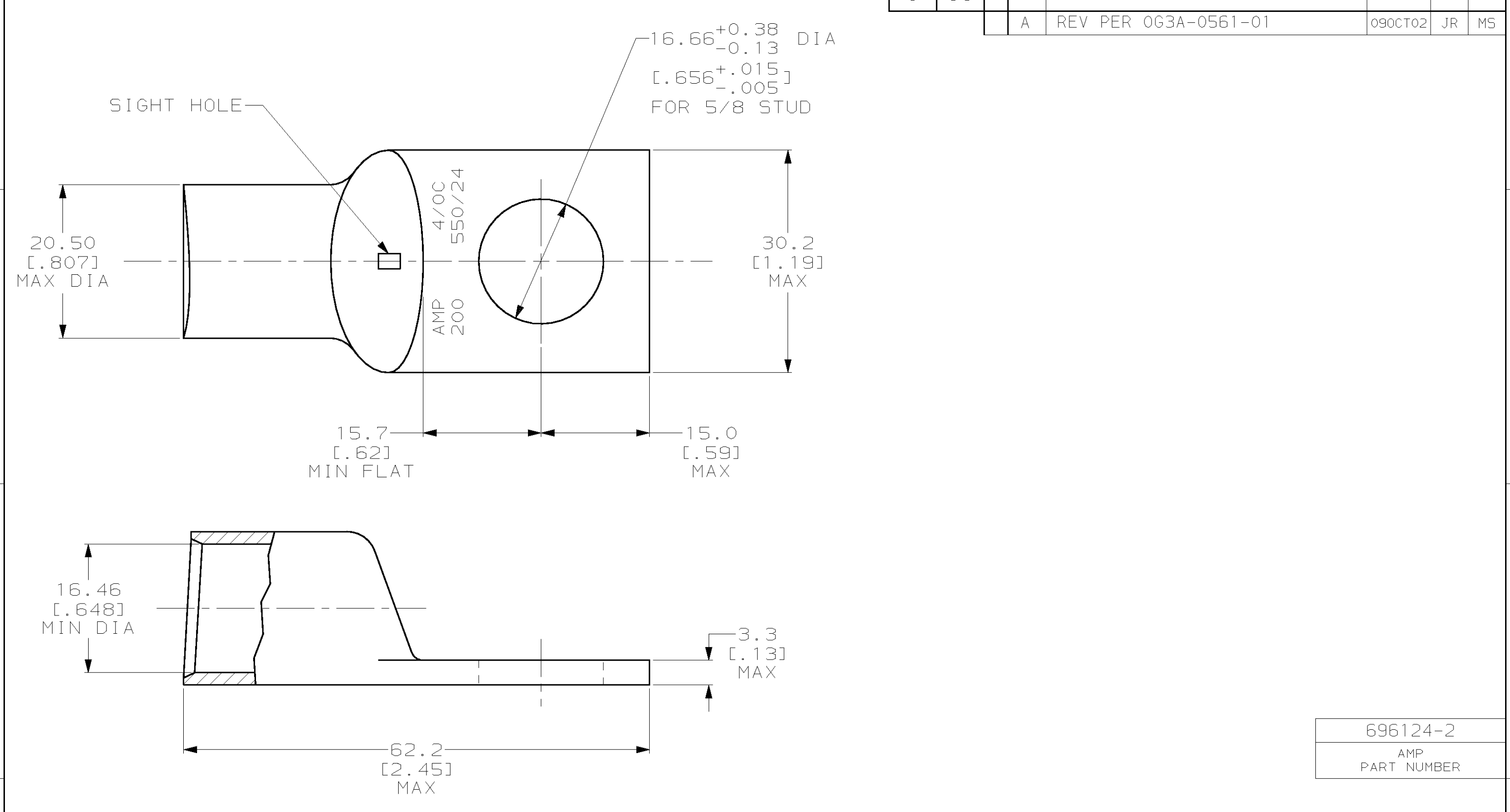
3

2

1

THIS DRAWING IS UNPUBLISHED. RELEASED FOR PUBLICATION ,19 .  
 © COPYRIGHT 19 BY AMP INCORPORATED. ALL RIGHTS RESERVED.

LOC	DIST	REVISIONS			
P	LTR	DESCRIPTION	DATE	DWN	APVD
G	86	A	REV PER 0G3A-0561-01	09OCT02	JR MS



696124-2  
AMP  
PART NUMBER

**AMP INCORPORATED**  
**CUSTOMER SERVICE SYSTEMS**

FOR ADDITIONAL PRODUCT INFORMATION OR COPIES OF DRAWINGS AND TECHNICAL DOCUMENTS: PRODUCT INFORMATION CENTER 1-800-522-6752

FOR APPLICATION TOOLING INFORMATION: TOOLING ASSISTANCE CENTER 1-800-722-1111

FOR ORDER ENTRY: 1-800-526-5142

RECOMMENDED OPERATING TEMPERATURE: -

VOLTAGE RATING: NOT APPLICABLE

WIRE CROSS SECTIONAL AREA RANGE: 96.3-117.0mm<sup>2</sup> [190,000-231,000] CIR MILS SOLID OR STRANDED

THIS DRAWING IS A CONTROLLED DOCUMENT FOR AMP INCORPORATED. IT IS SUBJECT TO CHANGE AND THE CONTROLLING ENGINEERING ORGANIZATION SHOULD BE CONTACTED FOR THE LATEST REVISION.

DIMENSIONS: mm [INCHES]

TOLERANCES UNLESS OTHERWISE SPECIFIED:

0 PLC	±-
1 PLC	±-
2 PLC	±0.51 [.020]
3 PLC	±-
4 PLC	±-
ANGLES	±5°

MATERIAL: COPPER PER ASTM B-75 ANNEALED

FINISH: NICKEL PLATE 0.00254 [.000100] MIN THK PER QQ-N-290

DWN	JR RUTH	22FEB00	<b>AMP</b> AMP Incorporated Harrisburg, PA 17105-3608
CHK	MJ SPICER	22FEB00	
APVD	MJ SPICER	22FEB00	
PRODUCT SPEC	-	-	
APPLICATION SPEC	114-2150	NAME	TERMINAL, AMPOWER, WIRE SIZE: 4/0 AWG
WEIGHT	.106 lbs	SIZE	A3
CUSTOMER DRAWING		CAGE CODE	00779
		DRAWING NO	C-696124
		SCALE	2:1
		SHEET	1 OF 1
		REV	A

单击下面可查看定价，库存，交付和生命周期等信息

[>>TE Connectivity\(泰科\)](#)