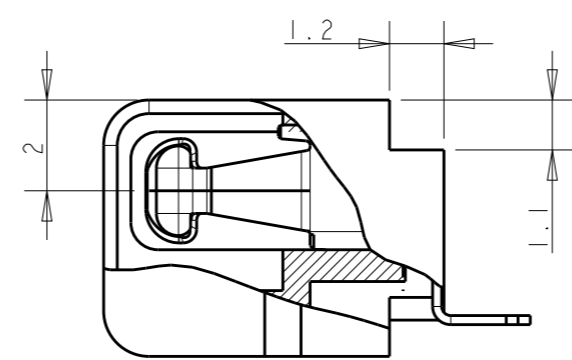
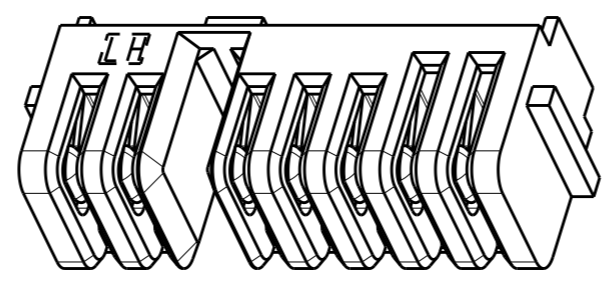
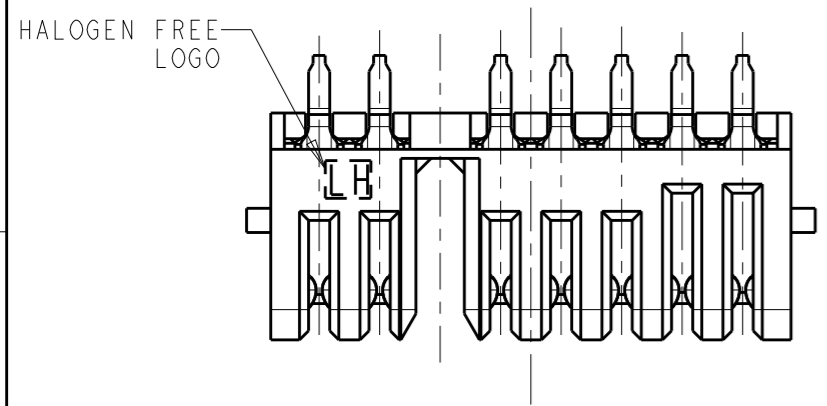
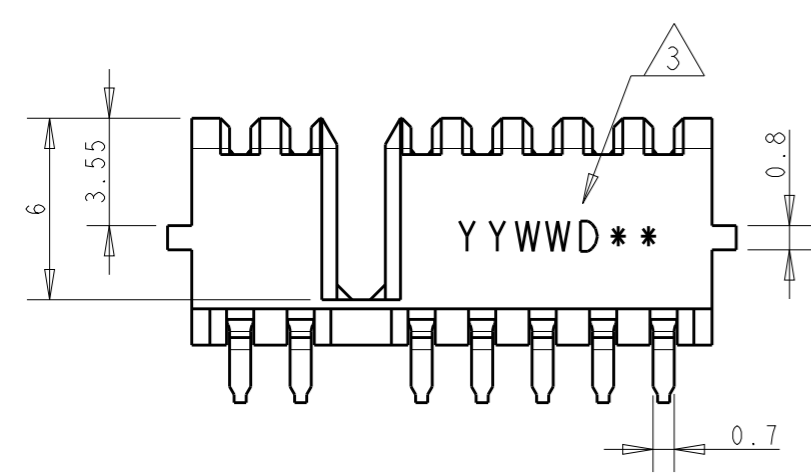
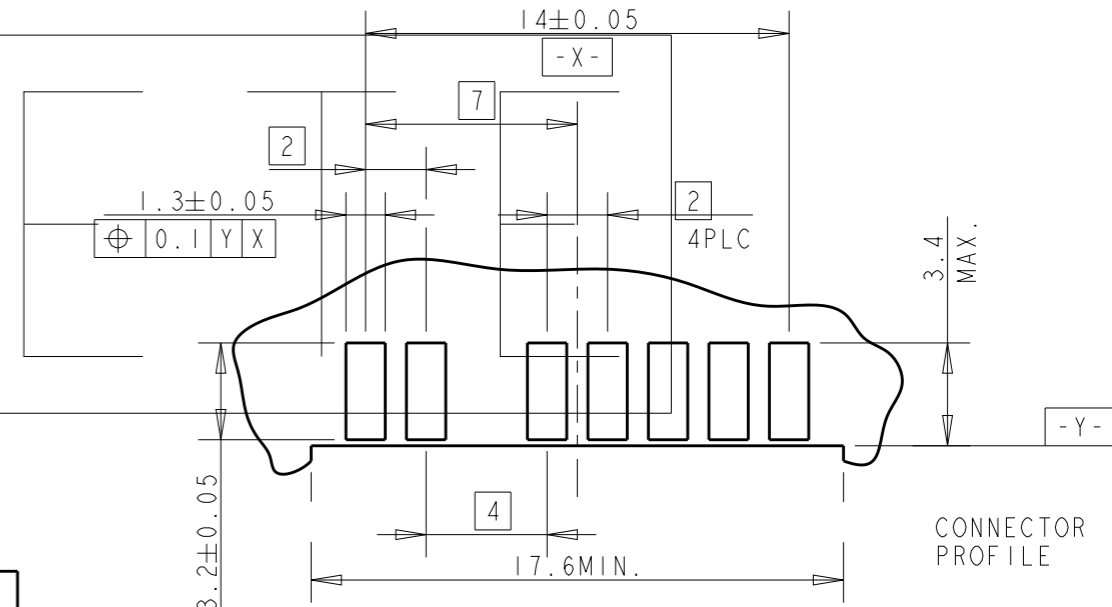
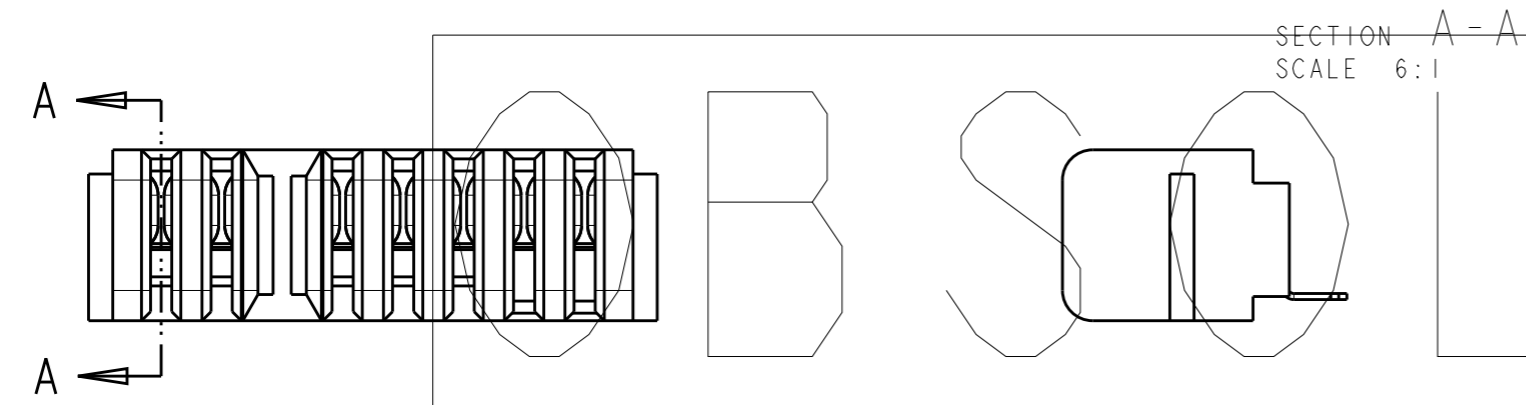


LOC	DIST	REVISIONS			
P	LTR	DESCRIPTION	DATE	DWN	APVD
ES	-	B	RELEASED PER ECR-07-023182	15OCT2007	A.S S.Y
		B2	ADDED NEW DASH NUMBER	12NOV2008	TY SY
		B3	ADDED HALOGEN FREE LOGO	20NOV2008	TY SY
		B4	REVISE (ECO-19-002267)	21FEB2019	K.G W.H



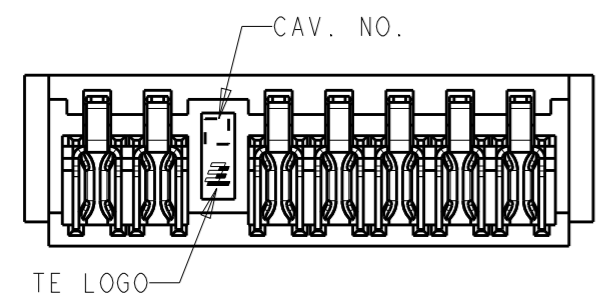
- 1 MATERIAL
HOUSING: THERMOPLASTIC RESIN, UL94V-0, BLACK
CONTACT: COPPER ALLOY
- 2 FINISH
CONTACT: NICKEL ALL OVER UNDERPLATING
GOLD PLATING AT CONTACT AREA
TIN PLATING AT SOLDER AREA
- 3 DATE CODE: 7 DIGIT NUMBER.



THIS PRINT IS
PRELIMINARY
 UNQUALIFIED PRODUCT
 CONTACT PRODUCT ENGINEERING
 BEFORE USING THIS PRINT

REFERENCE PCB LAYOUT
 PCB THICKNESS 0.8~1.2
 (VIEW FROM CONNECTOR MOUNTING SIDE)

THERMOPLASTIC RESIN (HALOGEN FREE)	I-1932008-1
THERMOPLASTIC RESIN	1932008-1
HOUSING MATERIAL	P/N



<small>THIS DRAWING IS A CONTROLLED DOCUMENT FOR TYCO ELECTRONICS CORPORATION IT IS SUBJECT TO CHANGE AND THE CONTROLLING ENGINEERING ORGANIZATION SHOULD BE CONTACTED FOR THE LATEST REVISION.</small>	
DIMENSIONS: mm	TOLERANCES UNLESS OTHERWISE SPECIFIED:
	0 PLC ±-
	1 PLC ±0.3
	2 PLC ±0.3
	3 PLC ±0.3
	4 PLC ±-
	ANGLES ±-
MATERIAL	FINISH
1	2

DWN	29APR2007
CHK	ALEX SHOAL
APVD	29APR2007
PRODUCT SPEC	WENKE HE
APPLICATION SPEC	STEVEN YAO
WEIGHT	108-78292
	-
	0.87g
CUSTOMER DRAWING	

Tyco Electronics Corporation Shanghai P.R.CHINA 200233	
NAME	
RECEPTACLE ASSEMBLY 2.0mm PITCH 7POS. BATTERY CONNECTOR	
SIZE	CAGE CODE
A3	00779
DRAWING NO	RESTRICTED TO
©-1932008	
SCALE	SHEET
7:1	1 OF 2
REV	B4

4

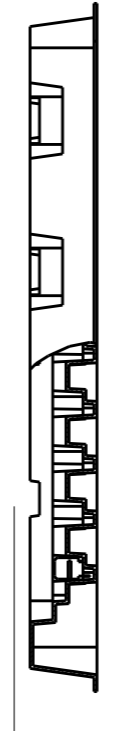
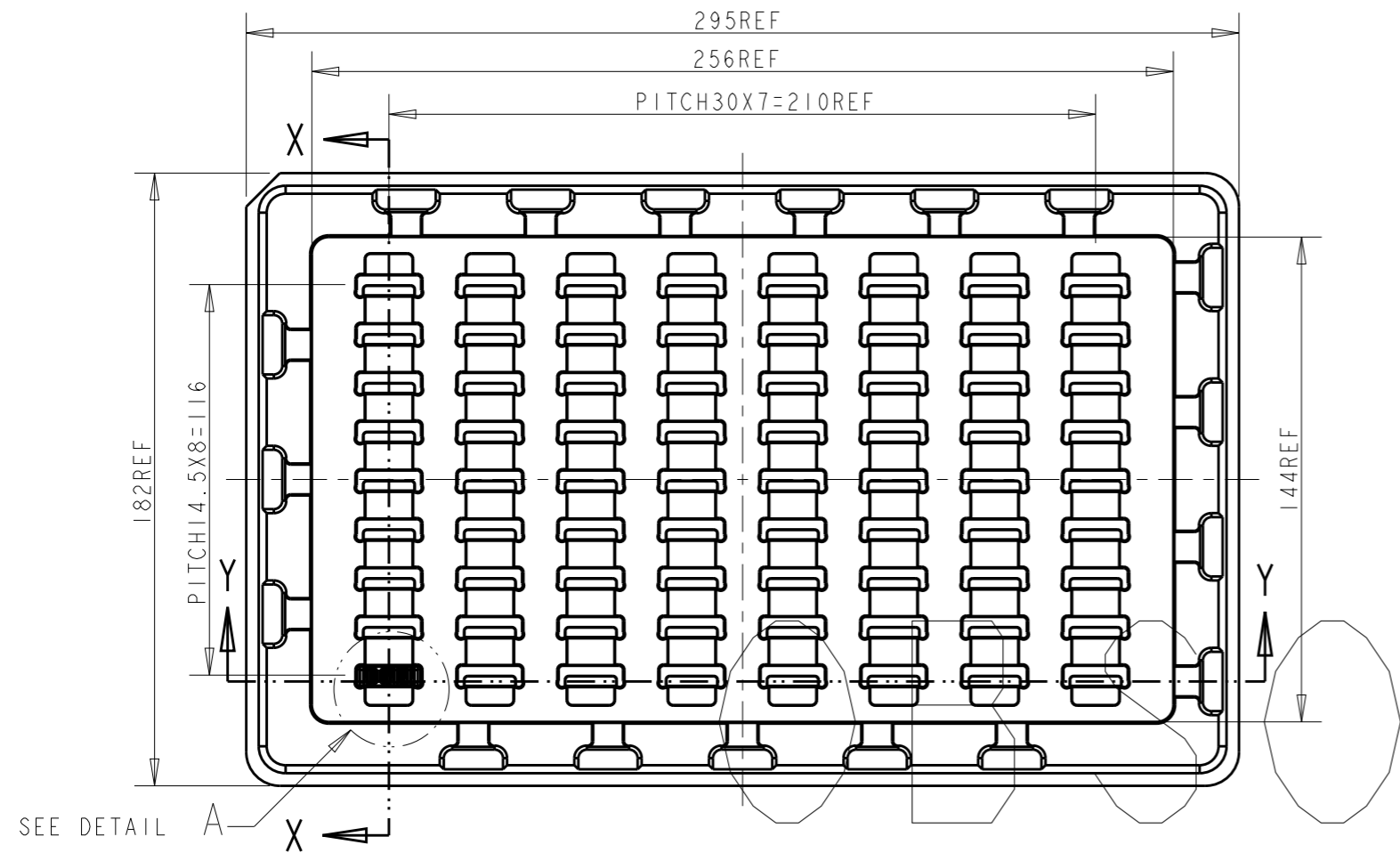
3

2

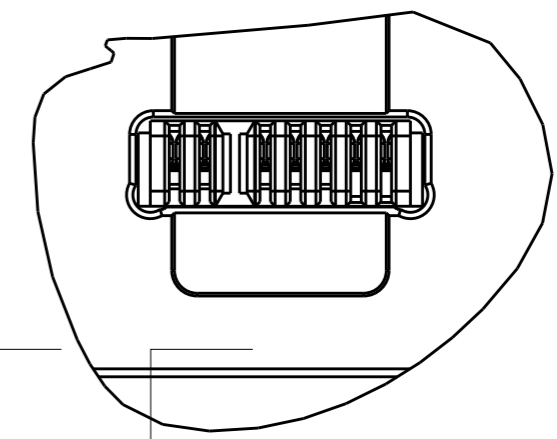
1

THIS DRAWING IS UNPUBLISHED. RELEASED FOR PUBLICATION 20
 © COPYRIGHT 20 BY TYCO ELECTRONICS CORPORATION. ALL RIGHTS RESERVED.

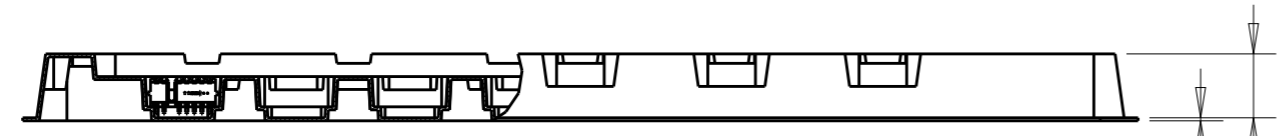
LOC	DIST	REVISIONS			
P	LTR	DESCRIPTION	DATE	DWN	APVD
ES	-	SEE SHEET 1	-	-	-



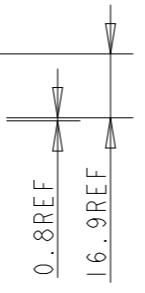
SECTION X - X



DETAIL A
SCALE 2:1



SECTION Y - Y



AS SHOWN: 1932008-1/1-1932008-1
72PCS/TRAY

THIS PRINT IS
PRELIMINARY
 UNQUALIFIED PRODUCT
 CONTACT PRODUCT ENGINEERING
 BEFORE USING THIS PRINT

<small>THIS DRAWING IS A CONTROLLED DOCUMENT FOR TYCO ELECTRONICS CORPORATION IT IS SUBJECT TO CHANGE AND THE CONTROLLING ENGINEERING ORGANIZATION SHOULD BE CONTACTED FOR THE LATEST REVISION.</small>	
DIMENSIONS: mm	TOLERANCES UNLESS OTHERWISE SPECIFIED: 0 PLC ±- 1 PLC ±0.3 2 PLC ±0.3 3 PLC ±0.3 4 PLC ±- ANGLES ±-
MATERIAL -	FINISH -

DWN ALEX SHOAL 29APR2007	Tyco Electronics Corporation Shanghai P.R.CHINA 200233
CHK WENKE HE 29APR2007	
APVD STEVEN YAO 29APR2007	
PRODUCT SPEC 108-78292	NAME RECEPTACLE ASSEMBLY 2.0mm PITCH 7POS. BATTERY CONNECTOR
APPLICATION SPEC -	SIZE A3
WEIGHT 0.87g	CAGE CODE 00779
CUSTOMER DRAWING	DRAWING NO G-1932008
SCALE 7:1	
SHEET 2 OF 2	
REV B4	

单击下面可查看定价，库存，交付和生命周期等信息

[>>TE Connectivity\(泰科\)](#)