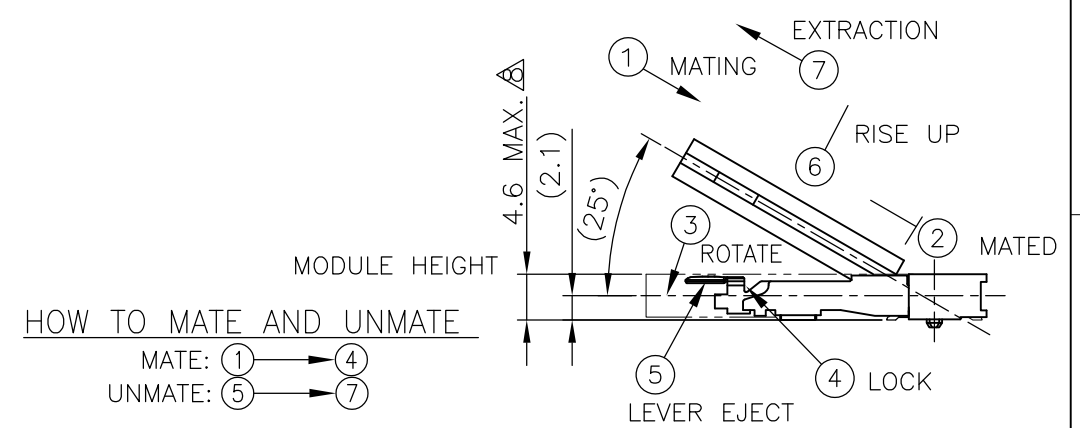
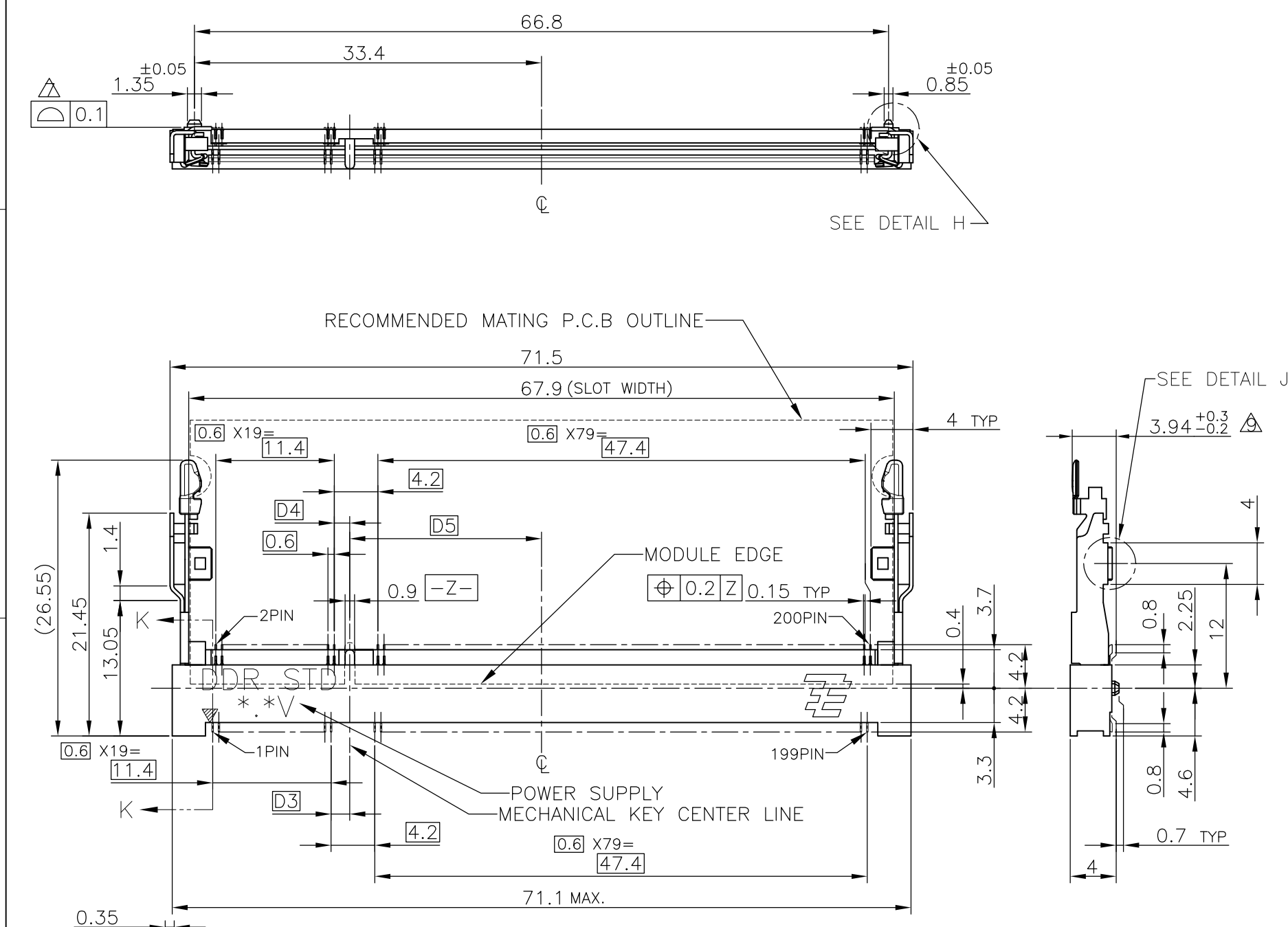
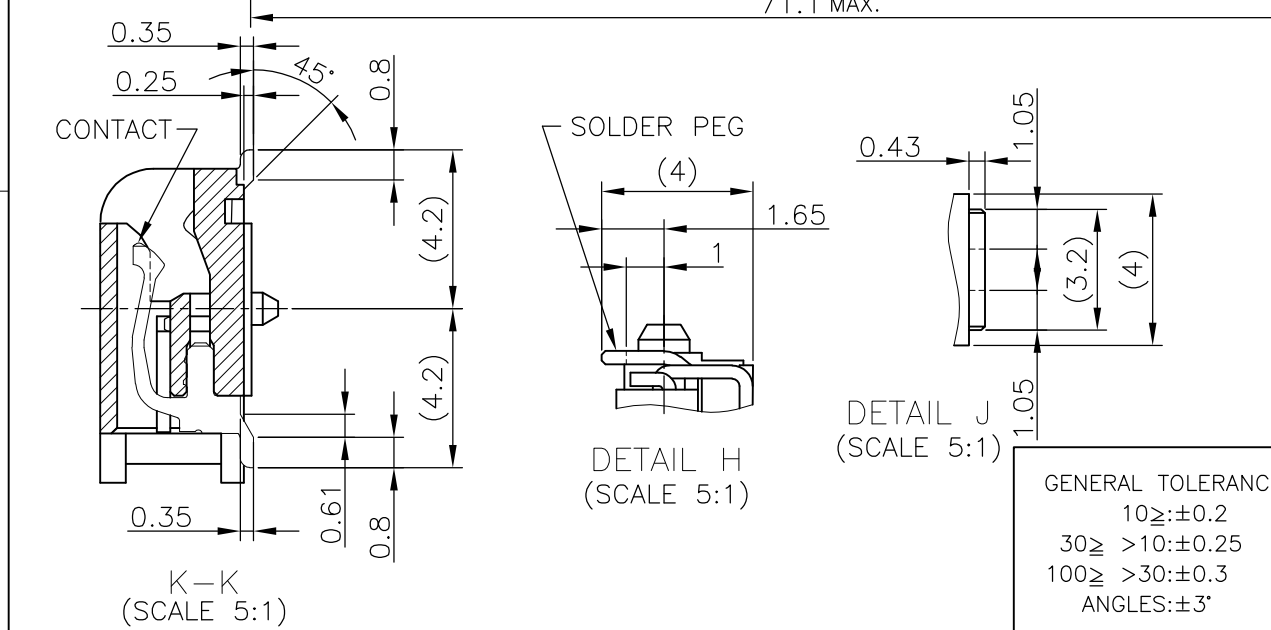


THIS DRAWING IS UNPUBLISHED. RELEASED FOR PUBLICATION OCT ,2001.  
 © COPYRIGHT 2001 BY TYCO ELECTRONICS CORPORATION. ALL RIGHTS RESERVED.

LOC		DIST		REVISIONS			
P	LTR	DESCRIPTION		DATE	DWN	APVD	
	D1	ECR-10-014776		20JUL10	B.W	S.Y	



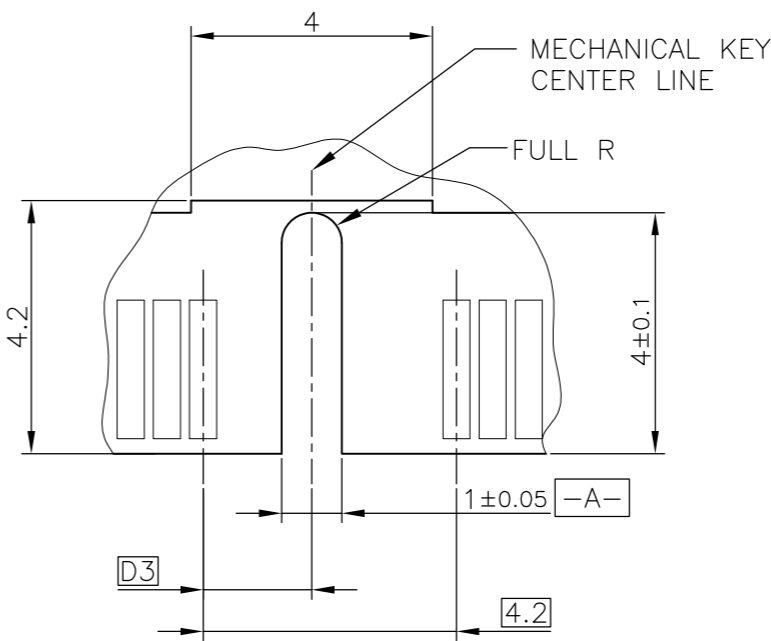
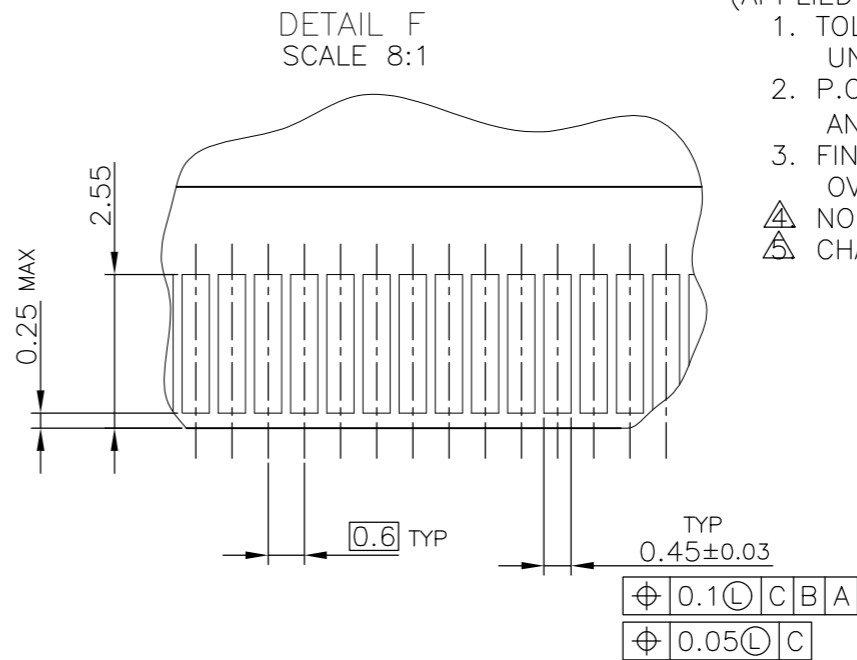
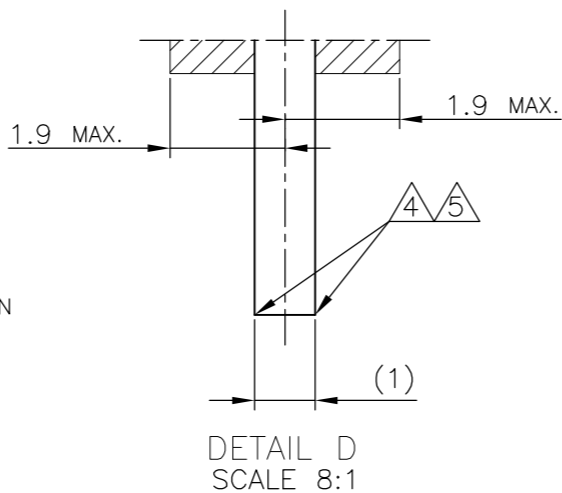
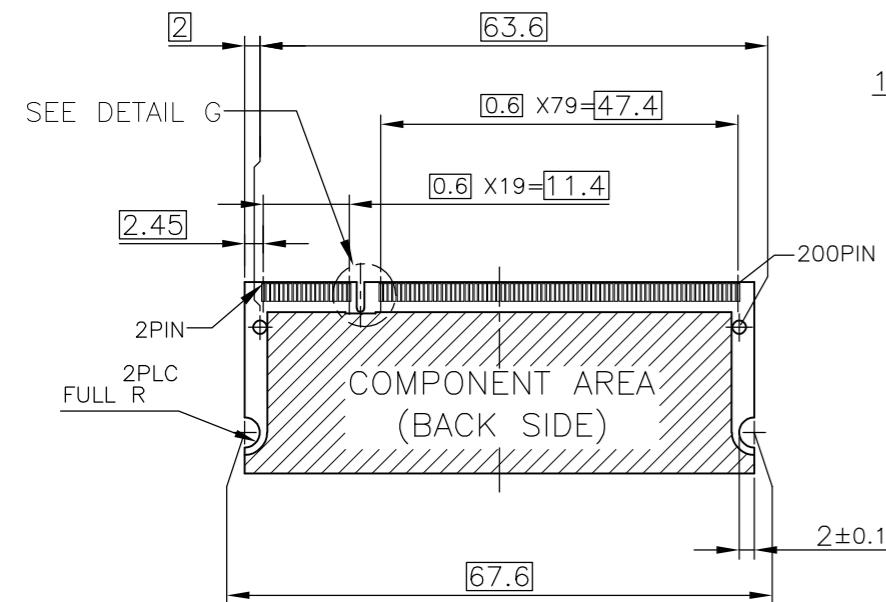
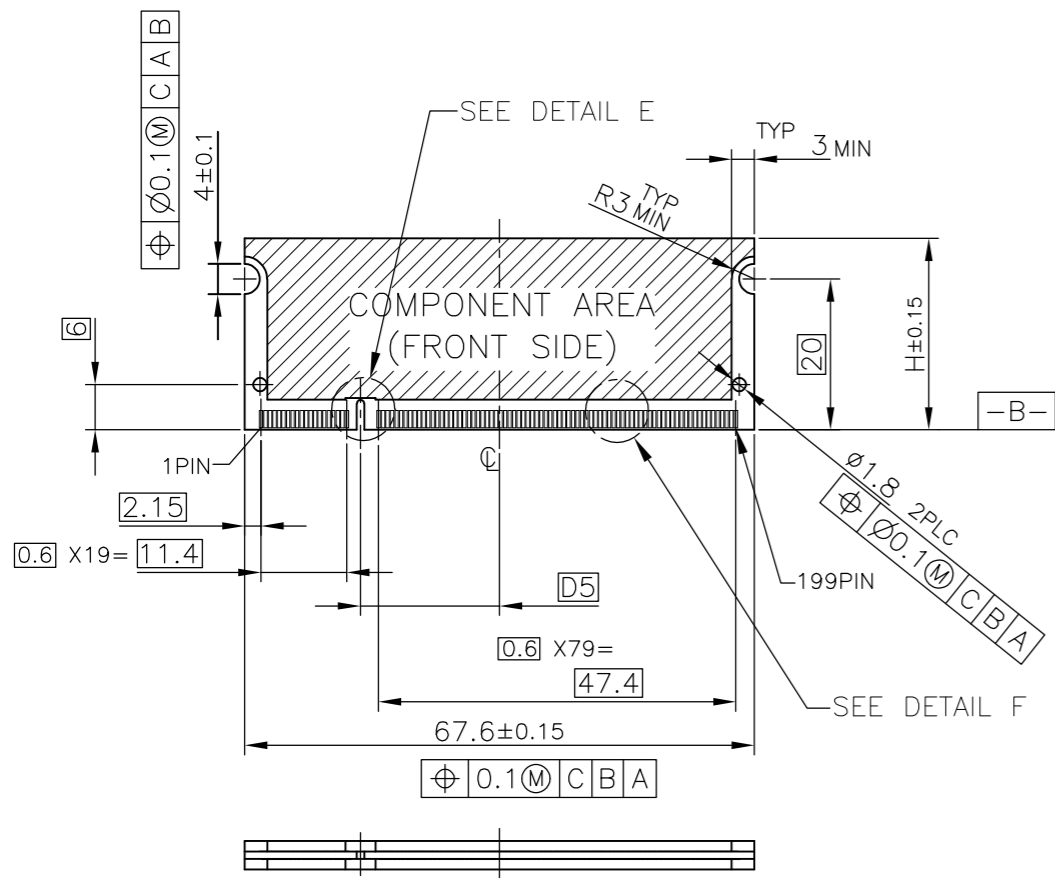
- (APPLIED TO SHEET 1-2)
- MATERIAL ; HOUSING: HIGH TEMPERATURE THERMO PLASTIC UL94V-0  
CONTACT: COPPER ARROY  
LOCK LEVER: STAINLESS STEEL
  - FINISH ; CONTACT AREA: GOLD FLASH ON 0.0013MIN ALL OVER NICKEL.  
SOLDERING AREA: GOLD FLASH PLATING.  
LOCK LEVER: TIN PLATING.
- ⚠ MECHANICAL KEY POSITION OF CONNECTOR SEE TABLE.
  - ⚠ TOLERANCES NON-CUMULATIVE.
  - ⚠ NOT TO SCALE.
  - ⚠ [ ] INSIDE MUST BE RESIST COAT EXCEPT SOLDER PATTERN.
  - ⚠ COPLANARITY : 0.1 MAX.
  - ⚠ THE FLOATING VALUE BY SOLDERING IS NOT INCLUDED.
  - ⚠ NOT MATING CONDITION.
- 10 IF THE MODULE DOESN'T INSERT AND LOCK IN THE LATCH SMOOTHLY, OPEN WIDE BOTH LATCHES BY MANUAL. AND THE MODULE MUST BE INSERTED AND LOCKED IN THE LATCH.



AVAILABLE	—  —	1.8V (DDR2)	17.55	2.4	2.7	200	1746540-4
NOT AVAILABLE	—  —	2.5V (DDR1)	18.45	1.5	1.8	200	—
TOOLING STATUS	REMARK	POWER SUPPLY	D5	D4	D3	POS	PART NO.
THIS DRAWING IS A CONTROLLED DOCUMENT.		DWN B.WONG 20JUL10	Tyco Electronics AMP K.K. Kawasaki, Japan				
DIMENSIONS: MM		CHK C.WANG 20JUL10	NAME				
TOLERANCES UNLESS OTHERWISE SPECIFIED:		APVD S.YAO 20JUL10	PRODUCT SPEC				
0 PLC ±		108-5701					
1 PLC ±		APPLICATION SPEC					
2 PLC ±		SIZE CAGE CODE DRAWING NO RESTRICTED TO					
3 PLC ±		WEIGHT 3.2 g A3 00779 C-1746540					
4 PLC ±		CUSTOMER DRAWING SCALE 2:1 SHEET 1 OF 4 REV D1					
ANGLES ±							
FINISH							



LOC		DIST		REVISIONS					
J				P	LTR	DESCRIPTION	DATE	DWN	APVD
				-		SEE SHEET 1	-	-	-



- (APPLIED TO SHEET 3)
1. TOLERANCES ON ALL DIMENSIONS ±0.15 UNLESS OTHERWISE SPECIFIED.
  2. P.C.BOARD THICKNESS APPLIES ACROSS TABS AND INCLUDES PLATING AND/OR METALIZATION.
  3. FINISH OF PAD : GOLD PLATING 0.00076 MIN. OVER Ni PLATING 0.002MIN.
- △ NO BURR
- △ CHAMFER 0.25 MAX x 45° IF EXIST.

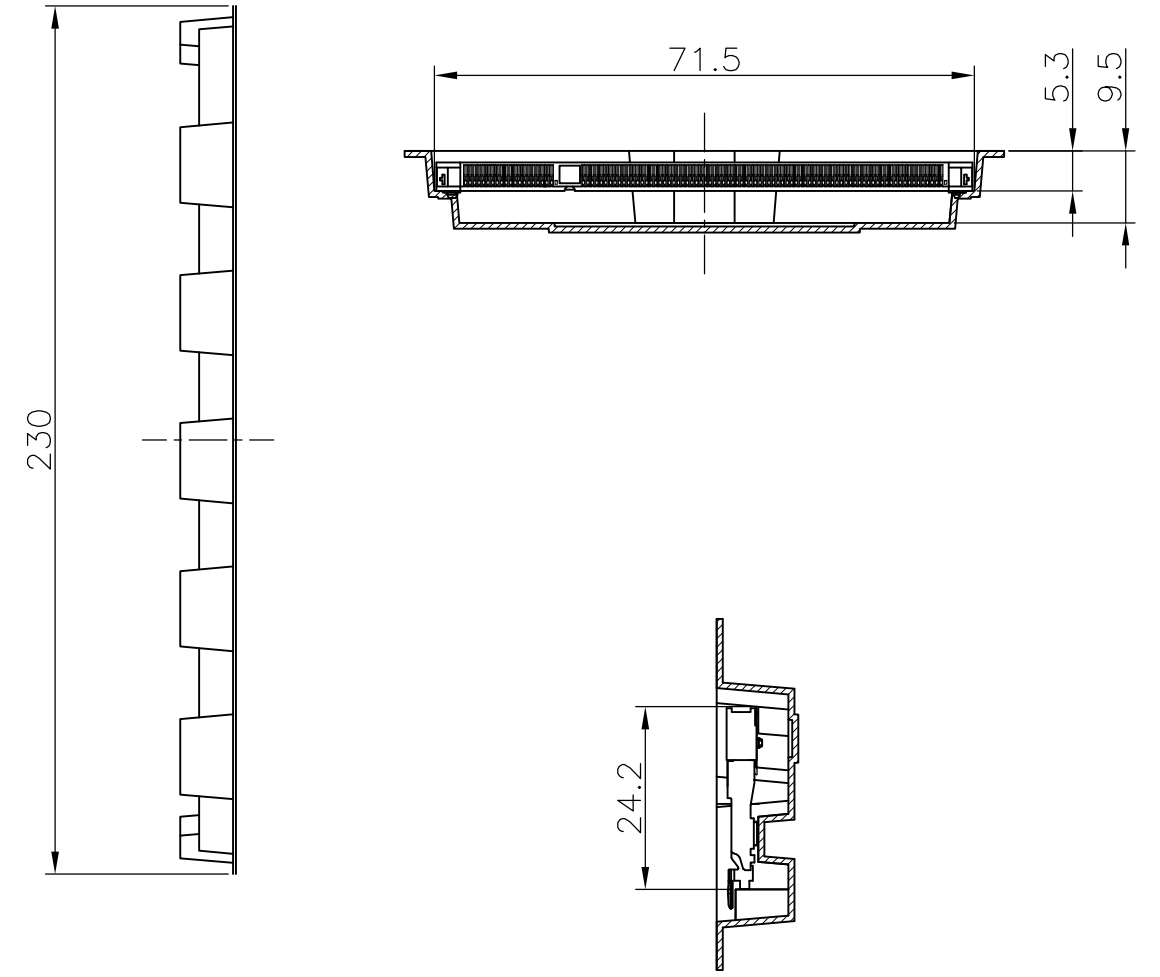
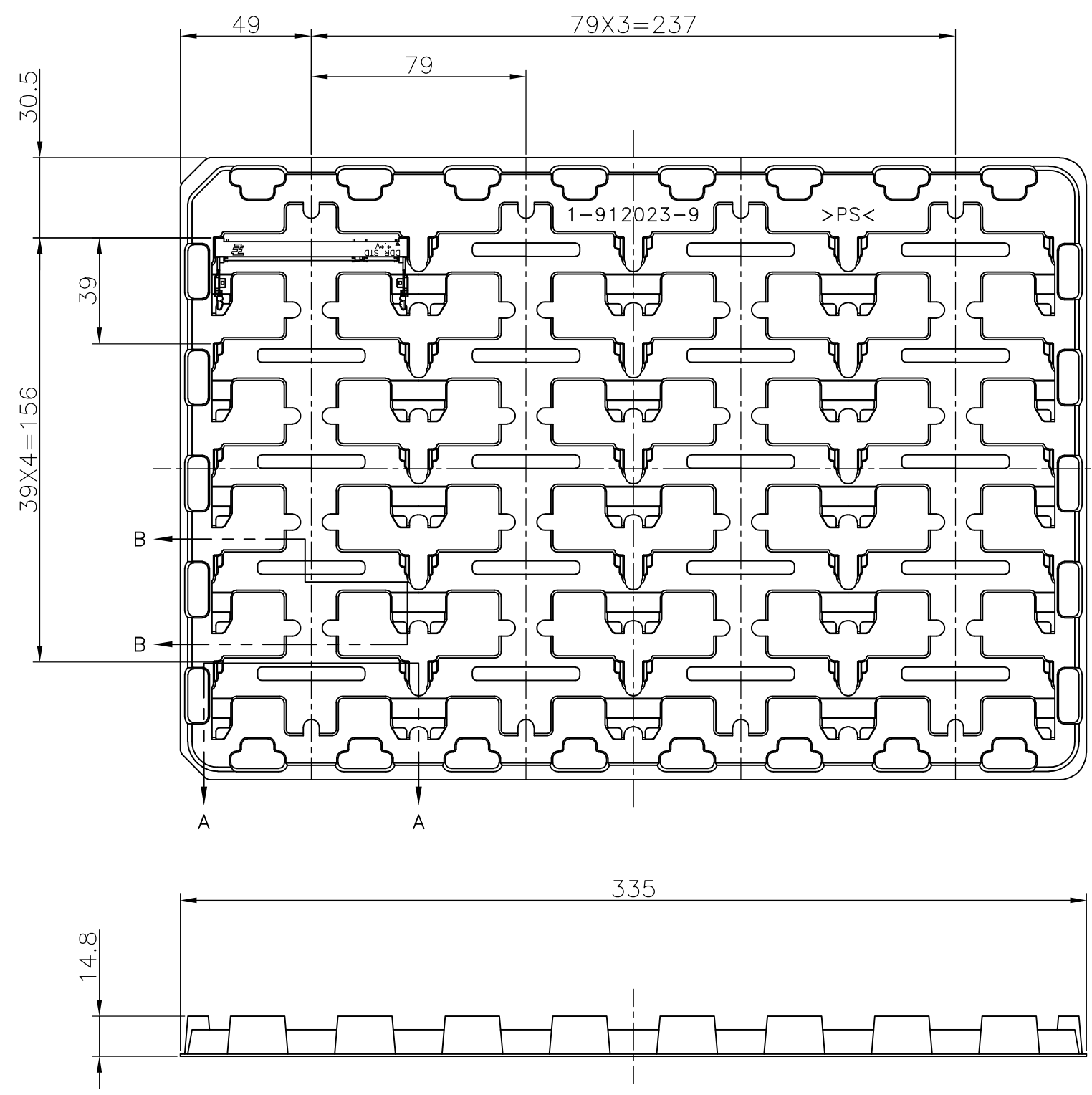
RECOMMENDED MATING P.C.B CONFIGURATION

THIS DRAWING IS A CONTROLLED DOCUMENT.		DWN		
DIMENSIONS: MM		CHK		
TOLERANCES UNLESS OTHERWISE SPECIFIED:		APVD		
0 PLC ±		PRODUCT SPEC		
1 PLC ±		APPLICATION SPEC		
2 PLC ±		WEIGHT		
3 PLC ±		CUSTOMER DRAWING		
4 PLC ±				
ANGLES ±				
MATERIAL				
FINISH				

31.75	1.8V	17.55	2.4	2.7
25.4	2.5V	18.45	1.5	1.8
H	POWER SUPPLY	D5	D4	D3
Tyco Electronics		Tyco Electronics AMP K.K. Kawasaki, Japan		
NAME				
DDR1 & DDR2 SODIMM SOCKET 0.6mm PITCH 200POS LOW PROFILE STANDARD TYPE (LATCH DIRECT SOLDERING TYPE)				
SIZE	CAGE CODE	DRAWING NO	RESTRICTED TO	
A3	00779	C-1746540		
SCALE 2:1		SHEET 3 OF 4		REV D1

THIS DRAWING IS UNPUBLISHED. RELEASED FOR PUBLICATION OCT, 2001.  
 © COPYRIGHT 2001 BY TYCO ELECTRONICS CORPORATION. ALL RIGHTS RESERVED.

LOC	DIST	REVISIONS				
P	LTR	DESCRIPTION	DATE	DWN	APVD	
J		SEE SHEET 1	-	-	-	



(APPLIED TO SHEET 4)  
 1. THE DIRECTION OF EACH CONNECTOR ON A TRAY IS REFERRED TO THIS DRAWING.  
 2. GENERAL TOLERANCE : ±0.5

AVAILABLE	20EA/TRAY	1746540-4
NOT AVAILABLE		-
TOOLING STATUS	QTY	P/N

THIS DRAWING IS A CONTROLLED DOCUMENT.		DWN		Tyco Electronics AMP K.K. Kawasaki, Japan	
DIMENSIONS: MM		CHK			
TOLERANCES UNLESS OTHERWISE SPECIFIED:		APVD		NAME	
0 PLC ±		PRODUCT SPEC		DDR1 & DDR2 SODIMM SOCKET 0.6mm PITCH	
1 PLC ±		APPLICATION SPEC		200POS LOW PROFILE STANDARD TYPE	
2 PLC ±		WEIGHT		(LATCH DIRECT SOLDERING TYPE)	
3 PLC ±		CUSTOMER DRAWING		SIZE	RESTRICTED TO
4 PLC ±		SCALE 1:2		A3	-
ANGLES ±		SHEET 4 OF 4		CAGE CODE 00779	DRAWING NO C-1746540
FINISH		REV D1			

单击下面可查看定价，库存，交付和生命周期等信息

[>>TE Connectivity\(泰科\)](#)