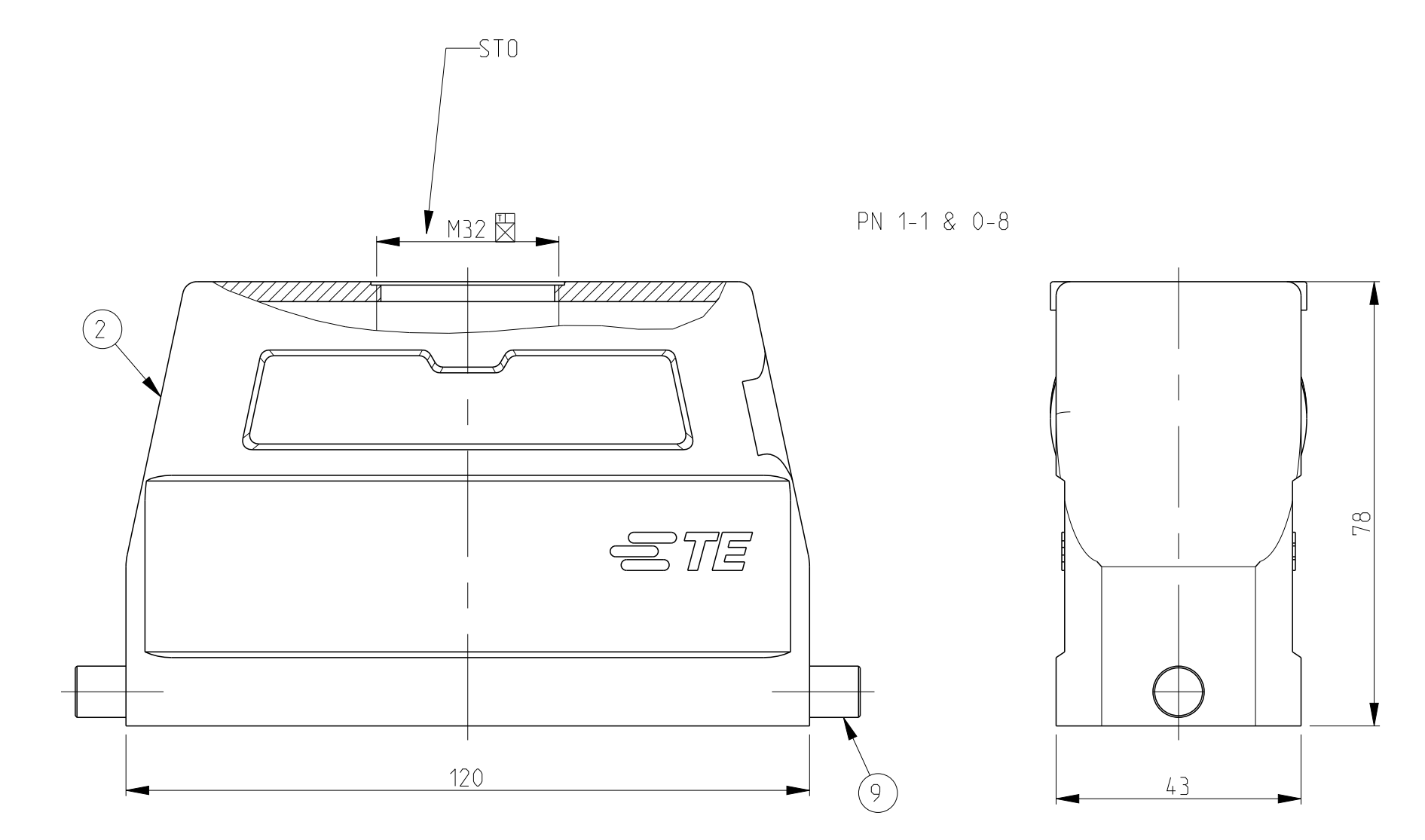
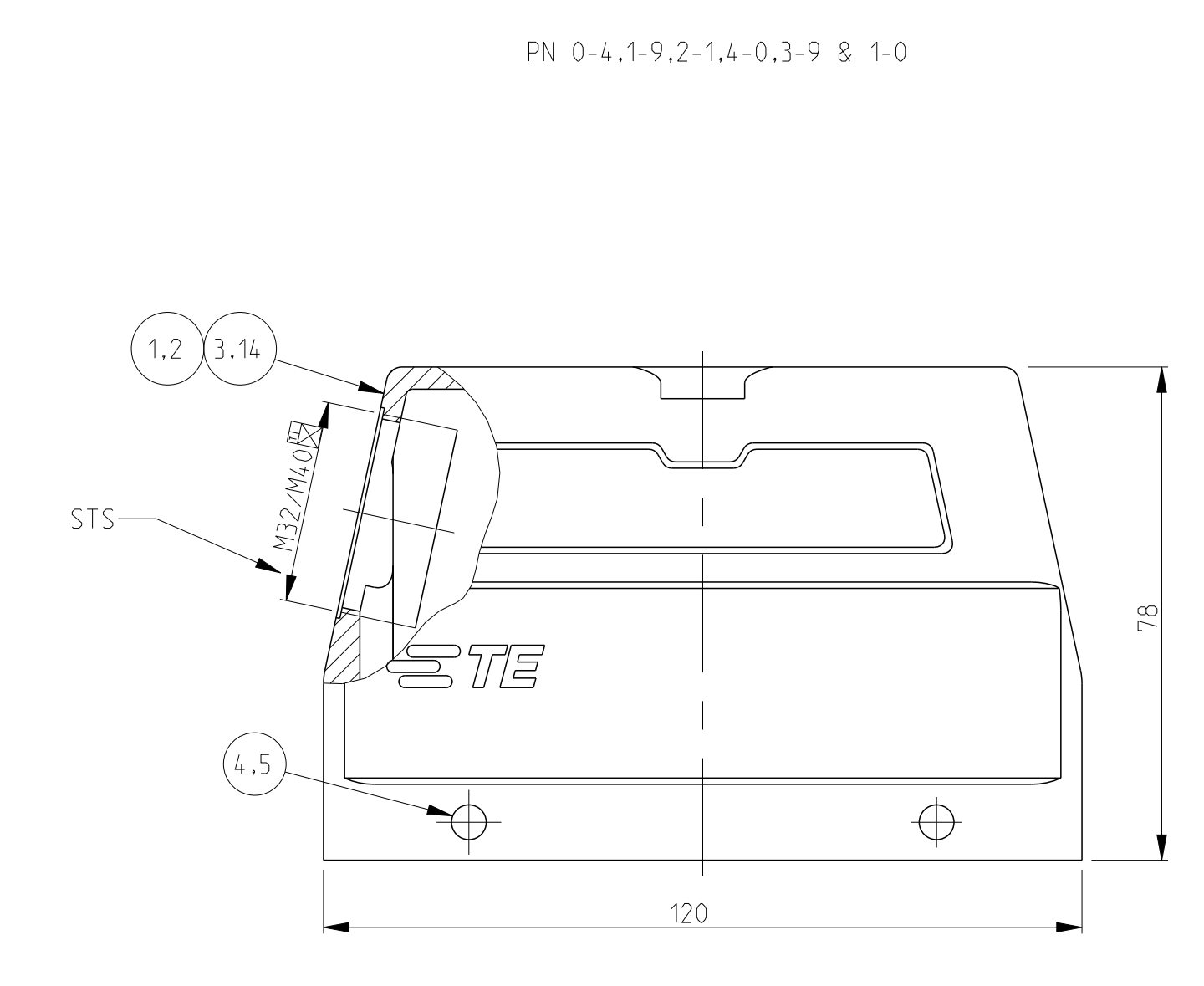
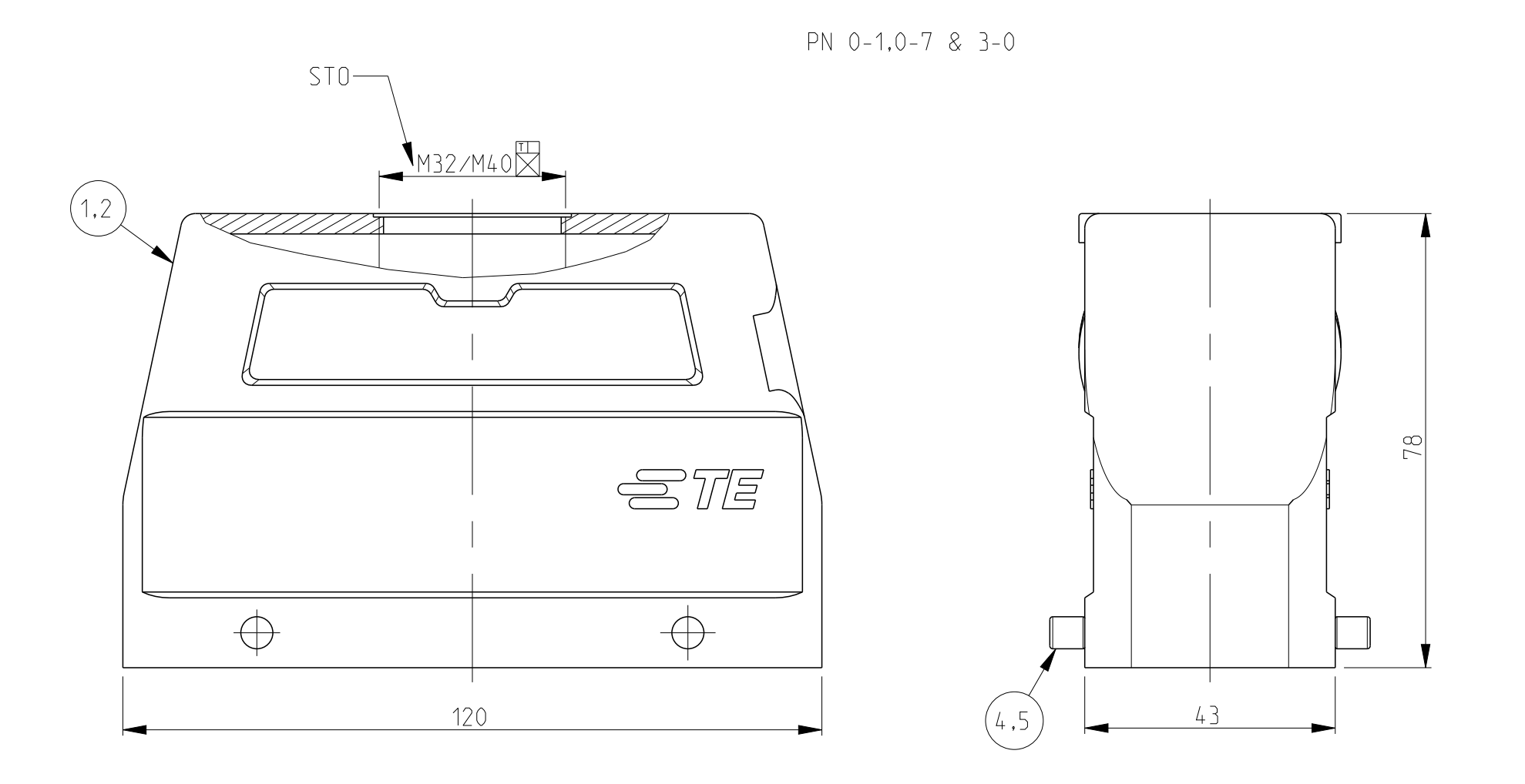
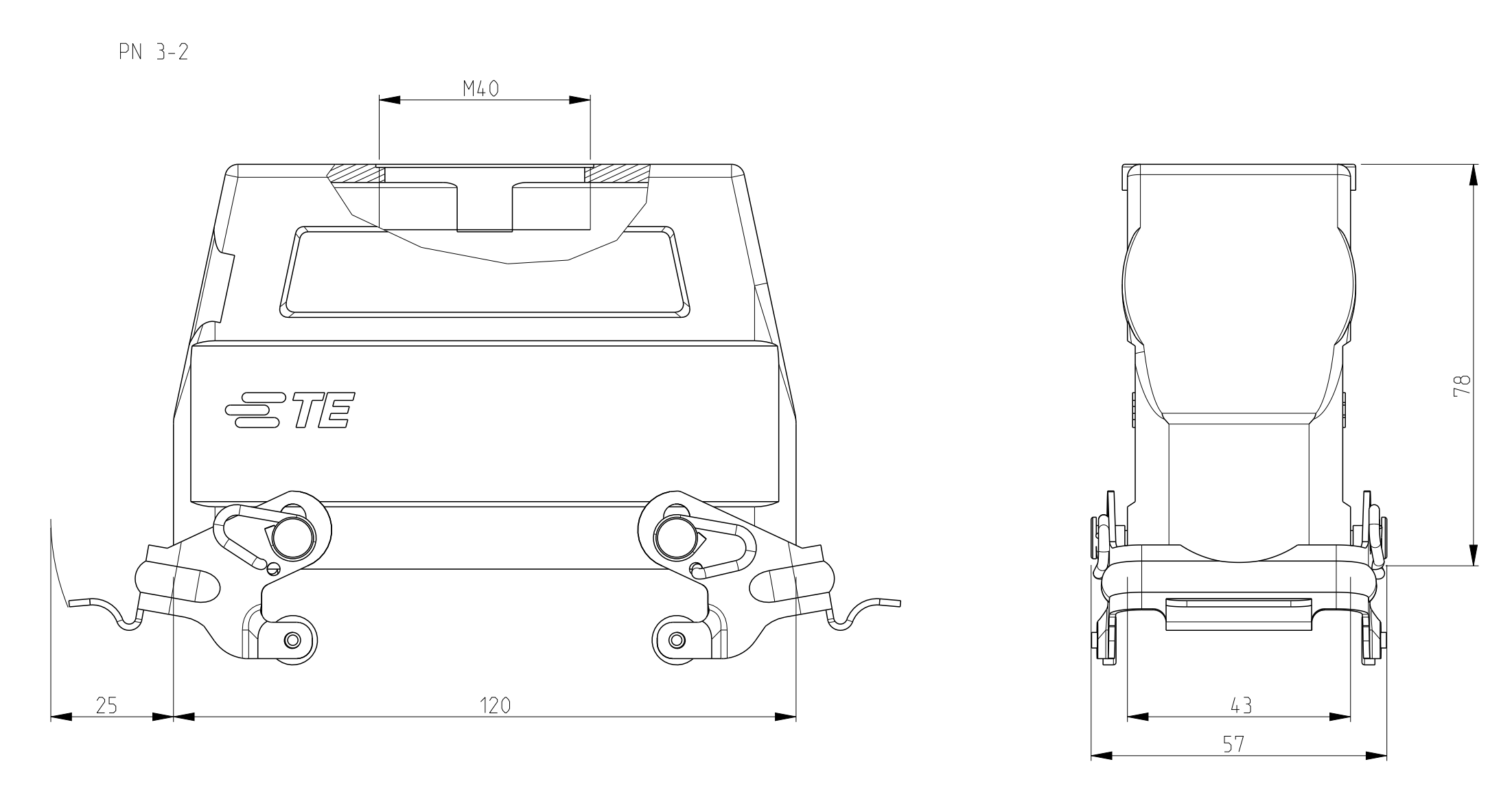
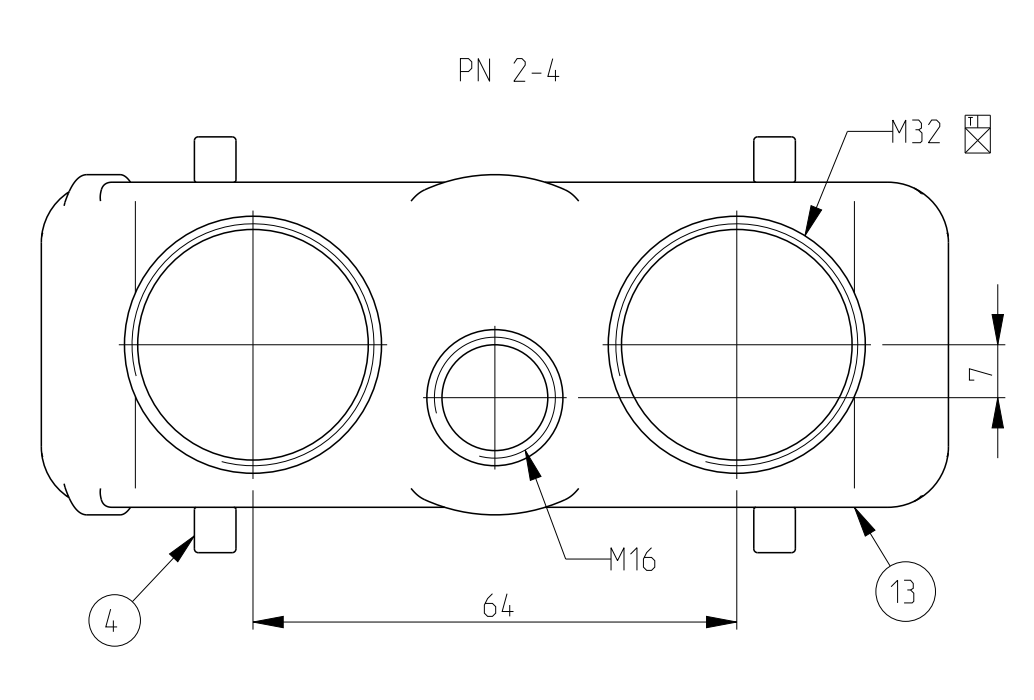
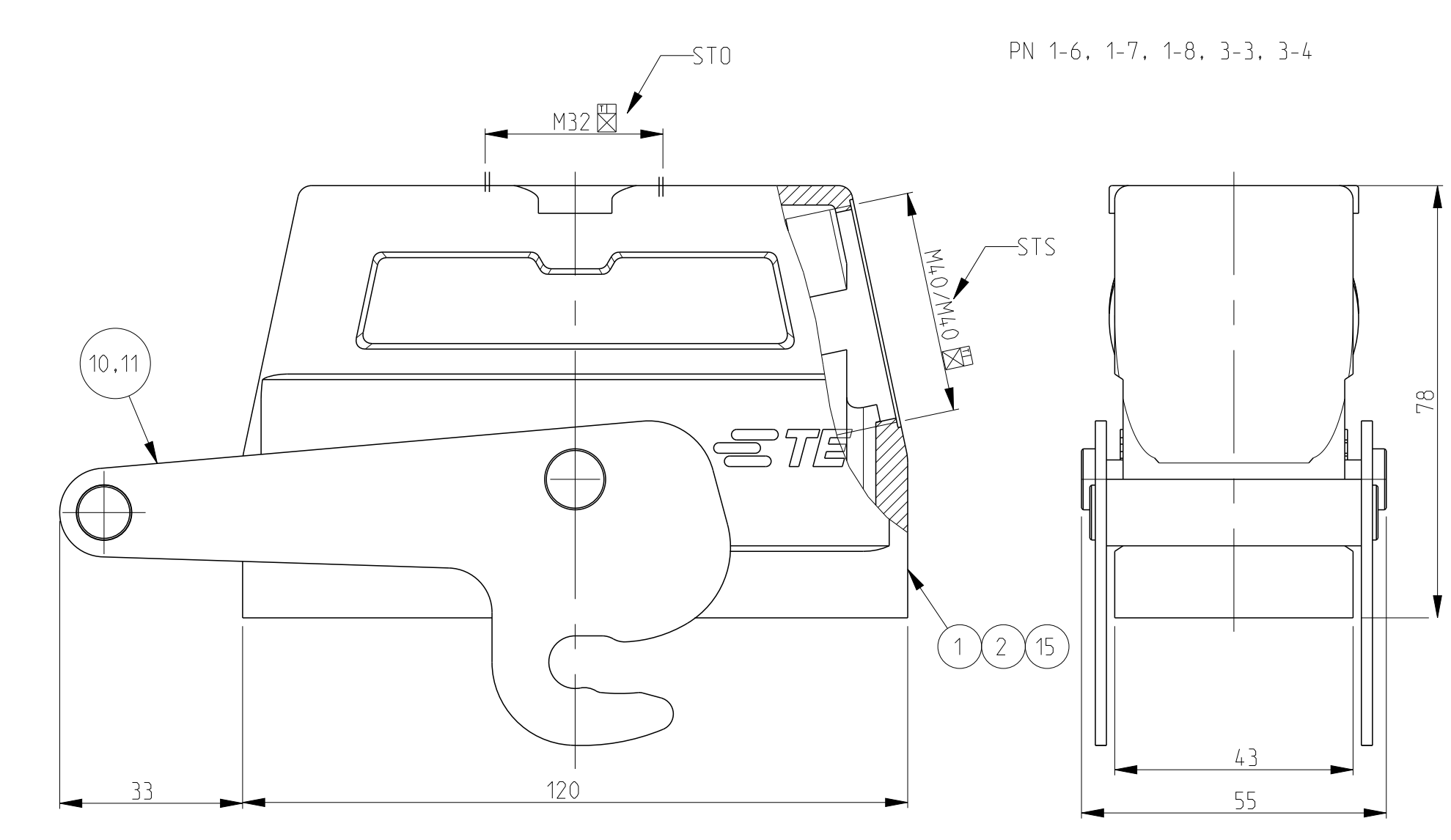
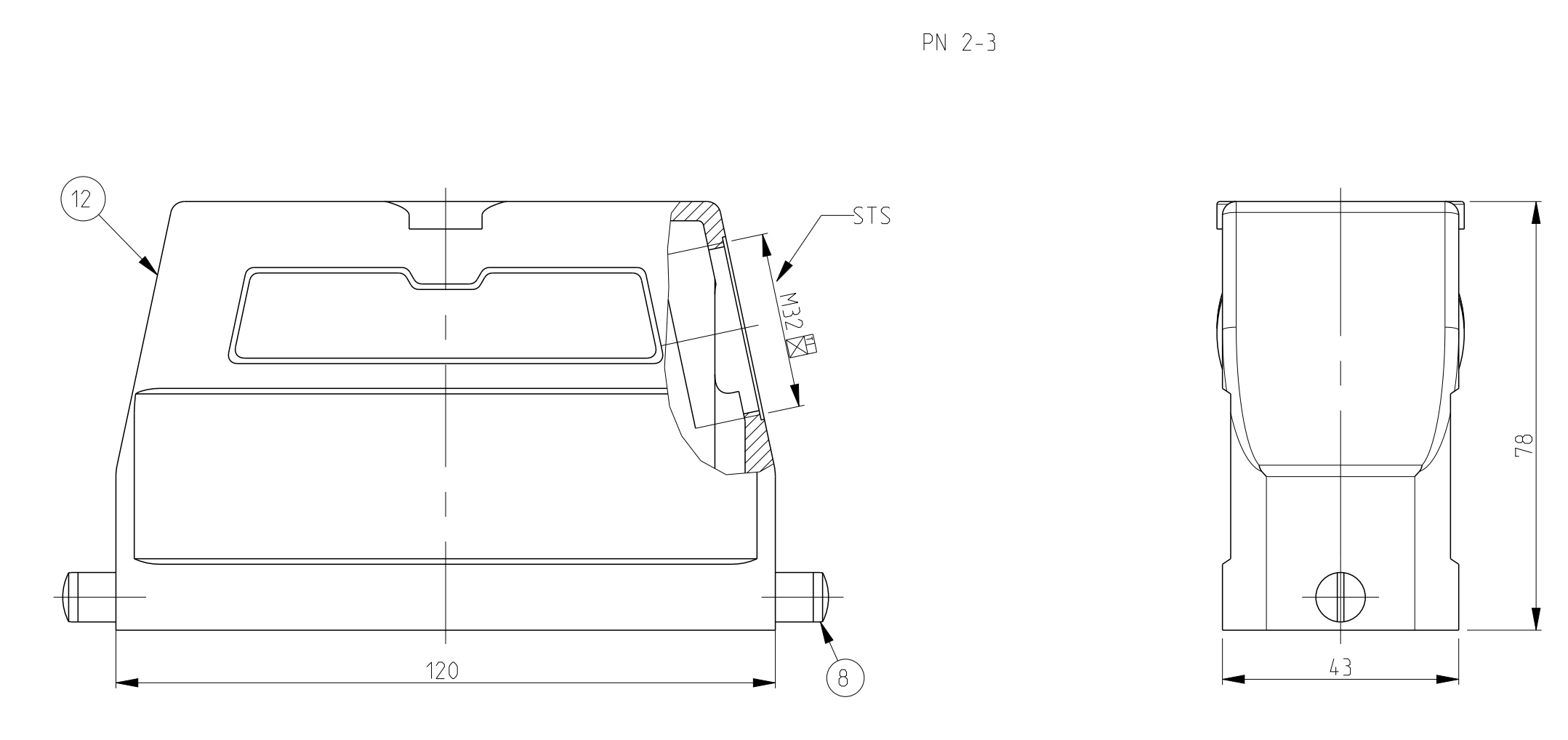
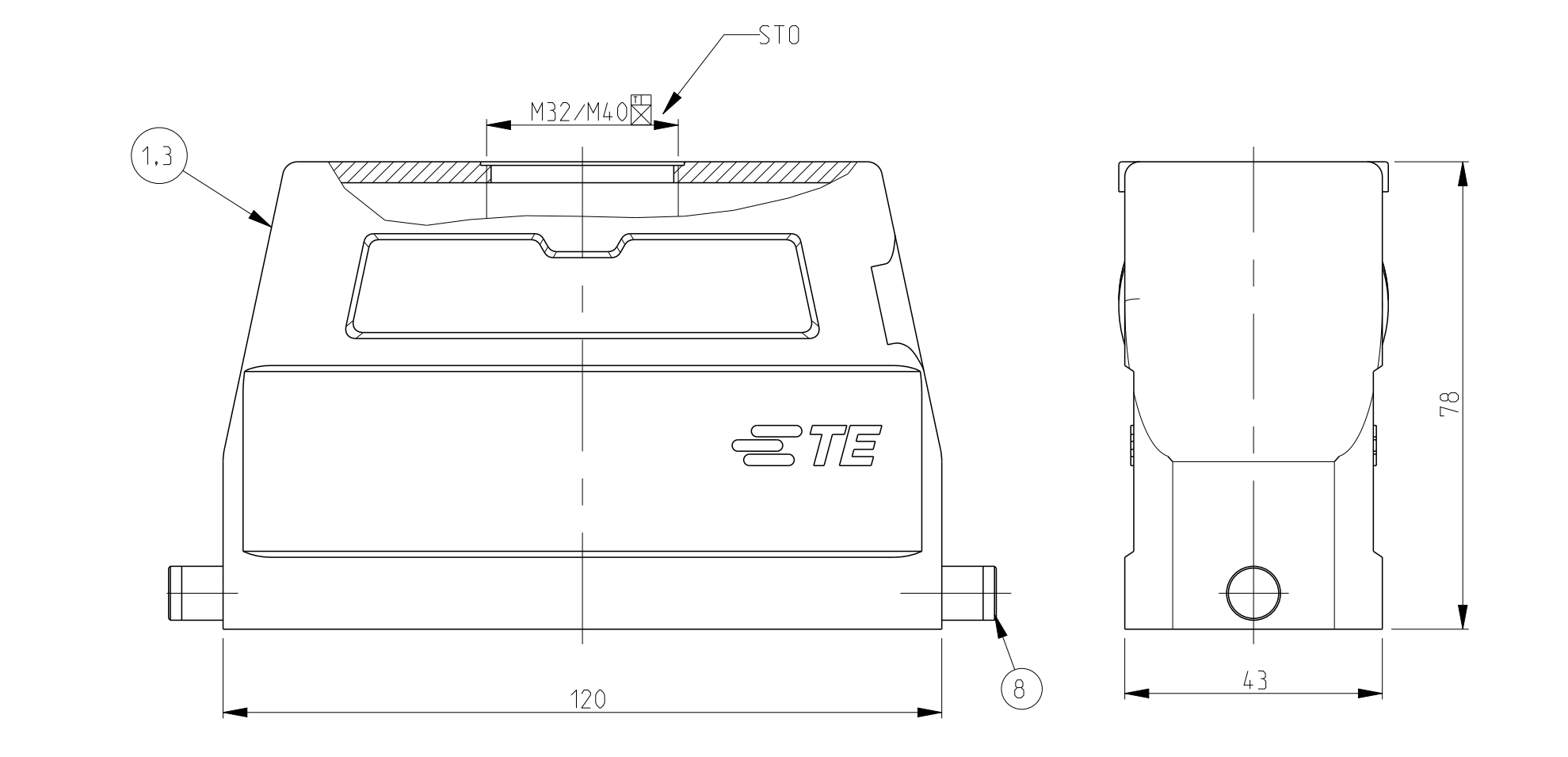
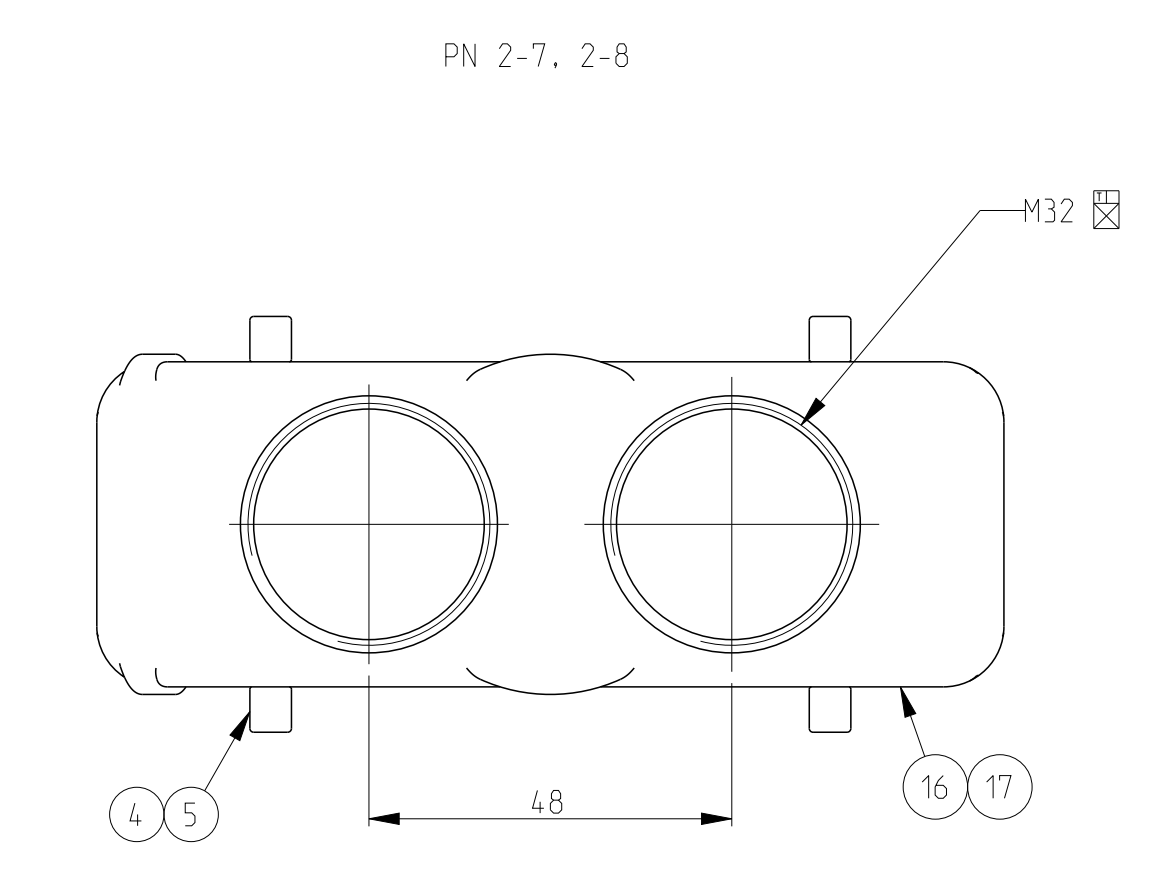
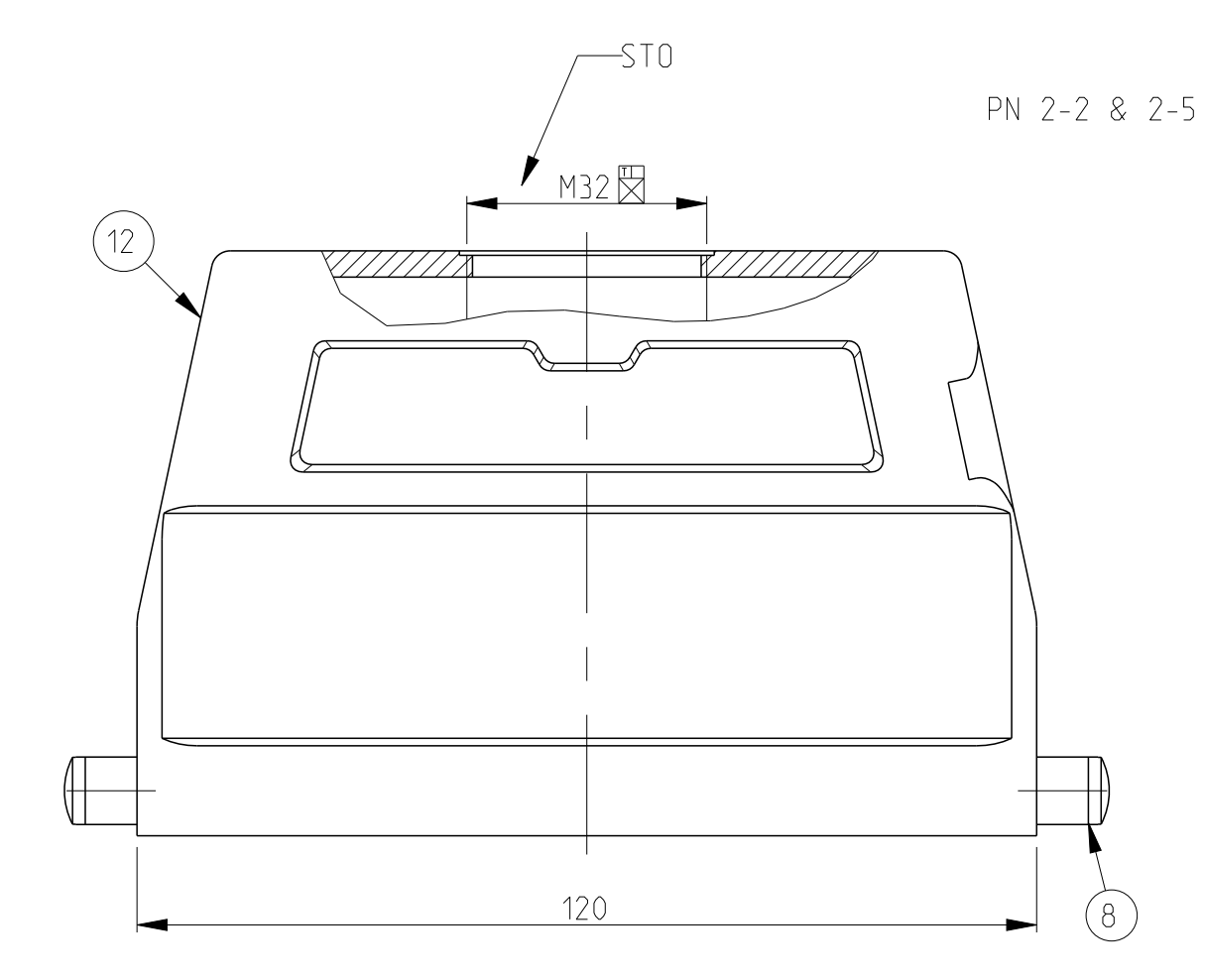
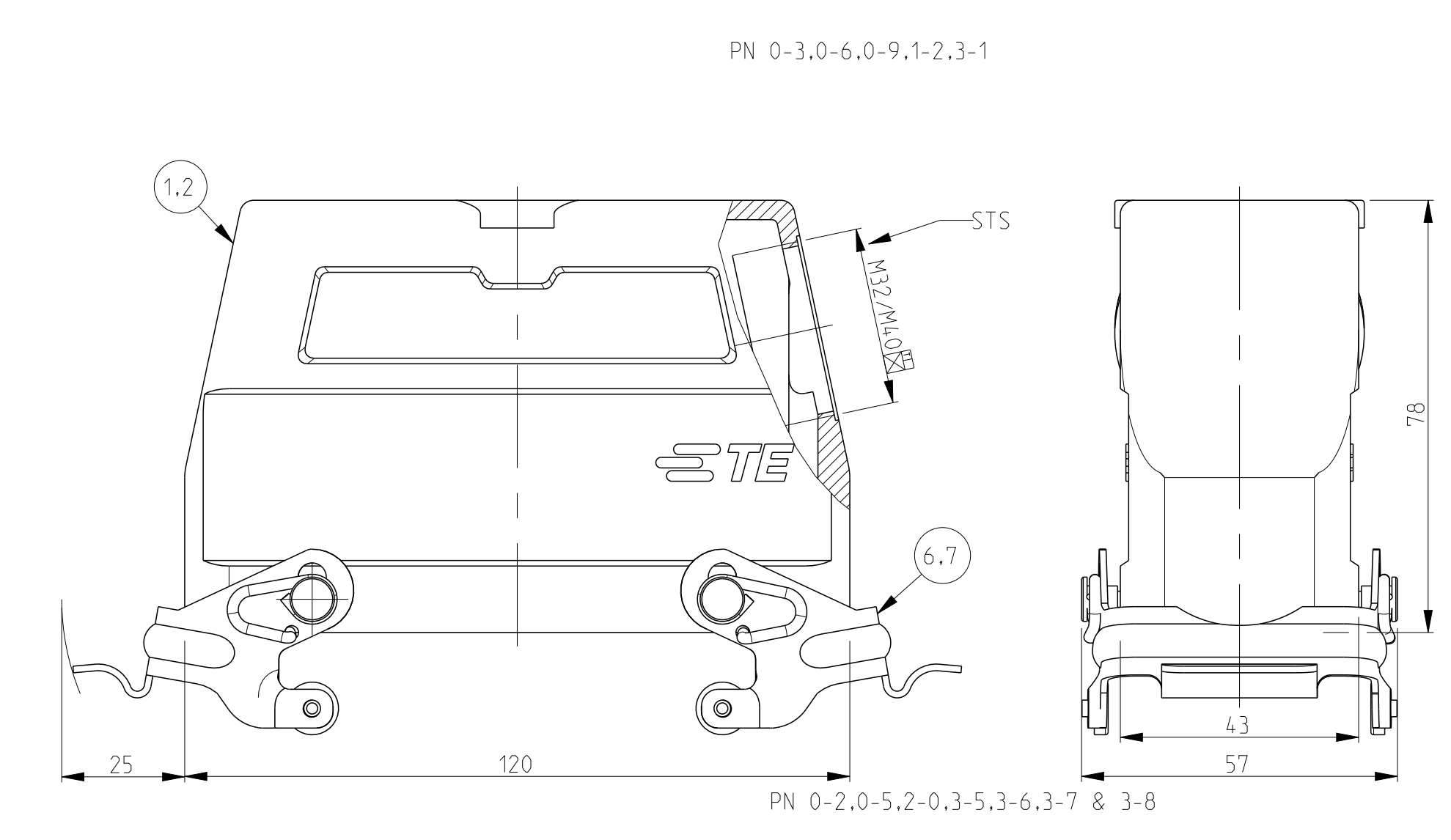


LOC	DIST	REVISIONS			
		REV	DATE	BY	APPD
A1	-	A16	ECR-14-013782	23SEP2014	RK MKO
		A17	ECR-16-016696	24MAY2017	GM MKO
		A18	ECR-16-016780	19NOV2017	GR MKO
		A19	REVISED PER ECR-17-014013	14FEB2018	SRG MKO



- NOTES:
- Material:Housing:Aluminium Diecasting Alloy
  - Surface:Varnish grey
  - Varnish on the inside not necessary
  - Packaging Quantity 5 Pieces in a box
  - Without TE-Product sign
  - Special Packaging Quantity 50 Pieces in a Kanban box



NO.	QTY	DESCRIPTION	MATERIAL	SURFACE	COLOR	ITEM NO	NOTES
1	1	HD-K HOOD	Aluminium	Aluminium oxide	Black	17	
1	1	HD HOOD	Aluminium		GREY	16	
1	1	HD HOOD	Aluminium		GREY	15	
1	1	HD-EMV Hood	Aluminium	chromit Al passivation	Black	14	
1	1	HD Hood	Aluminium		Grey	13	
1	1	HD Hood	Aluminium	Neutral	Grey	12	Without TE-Logo
1	1	ZB-Central clip	Stainless steel	Blank		11	
1	1	ZB-Central clip	Steel	Zinc plated	Blue	10	
2	2	LB-Clip bolt	Stainless steel	Blank		9	
2	2	LB-Clip bolt	Steel	Zinc plated	Blue	8	
2	2	VS-Side clip	Stainless steel	Blank		7	
2	2	VS-Side clip	Steel	Zinc plated	Blue	6	
2	2	VS-Clip bolt	Stainless steel	Blank		5	
2	2	VS-Clip bolt	Steel	Zinc plated	Blue	4	
2	2	HD Hood	Aluminium		Grey	3	Without TE-Logo
2	2	HD-K Hood	Aluminium	Aluminium oxide	Black	2	
2	2	HD Hood	Aluminium		Grey	1	

单击下面可查看定价，库存，交付和生命周期等信息

[>>TE Connectivity\(泰科\)](#)