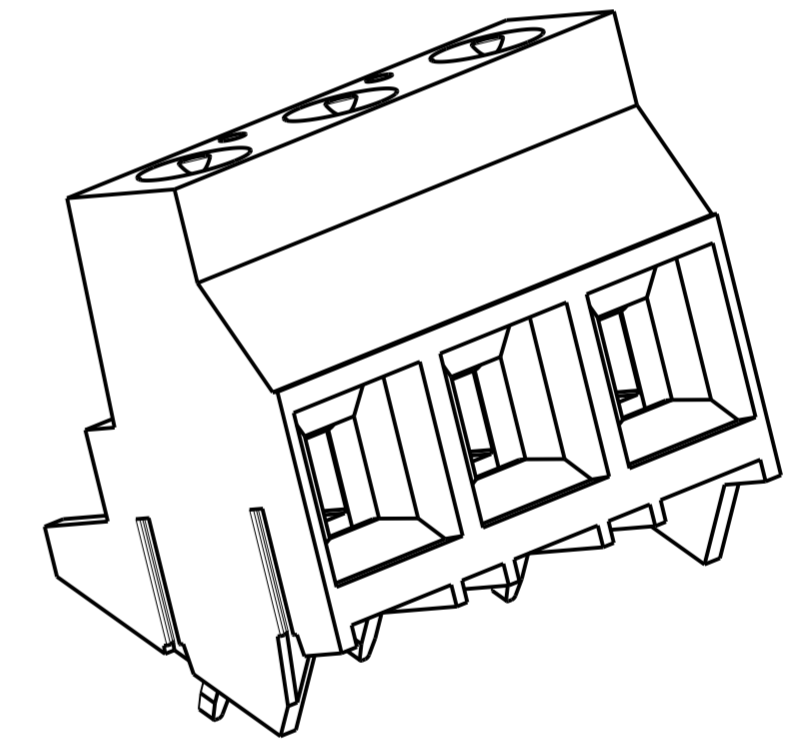
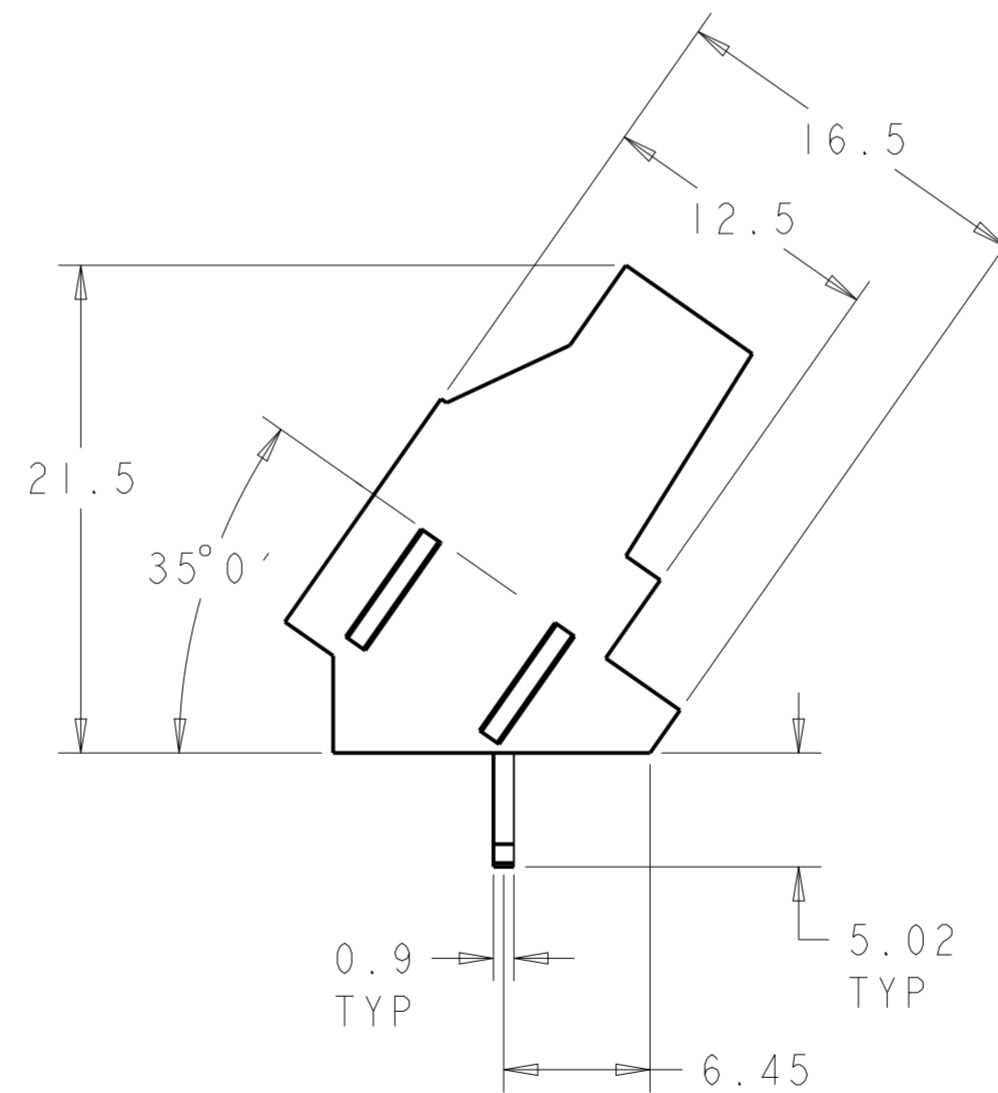
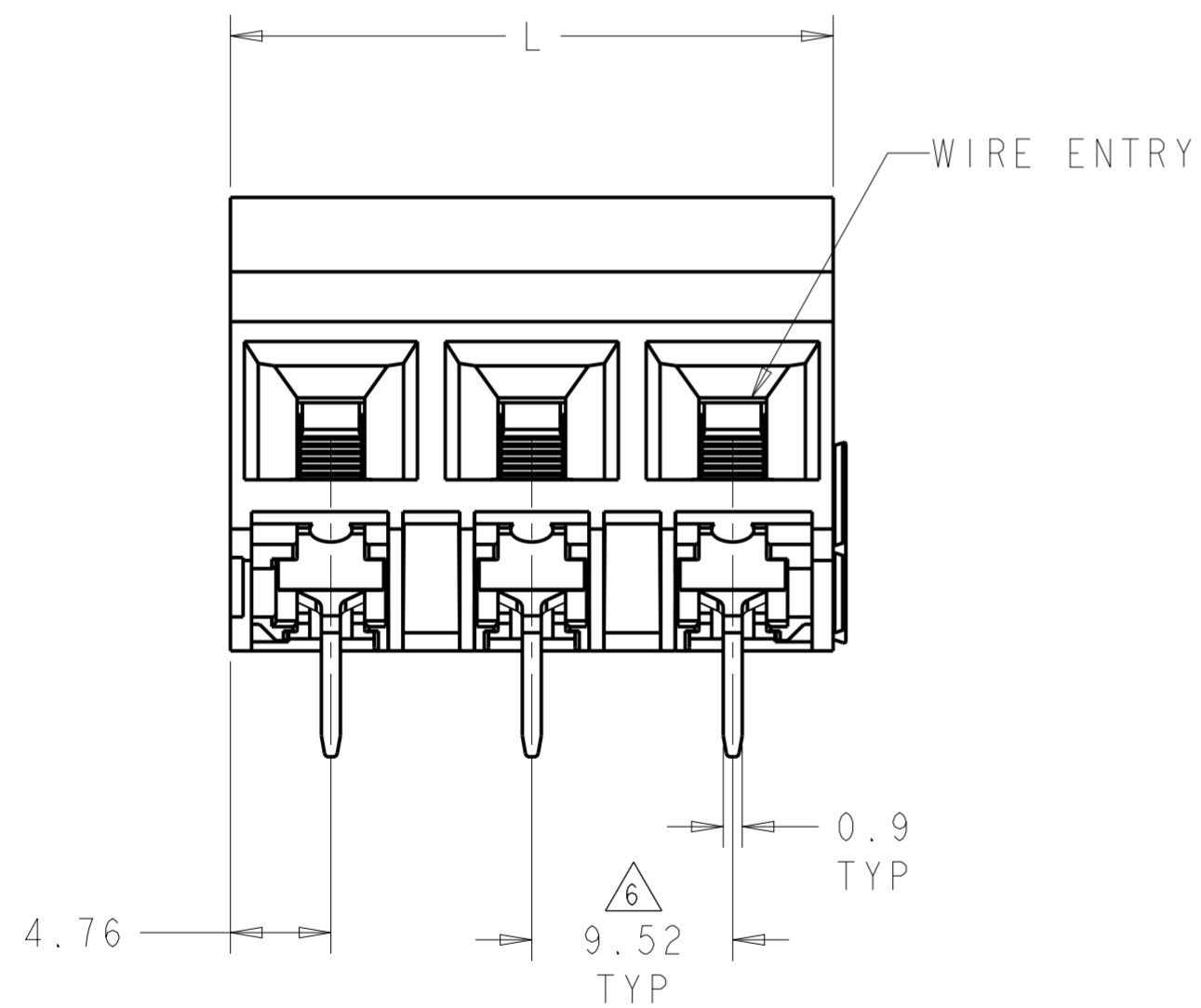
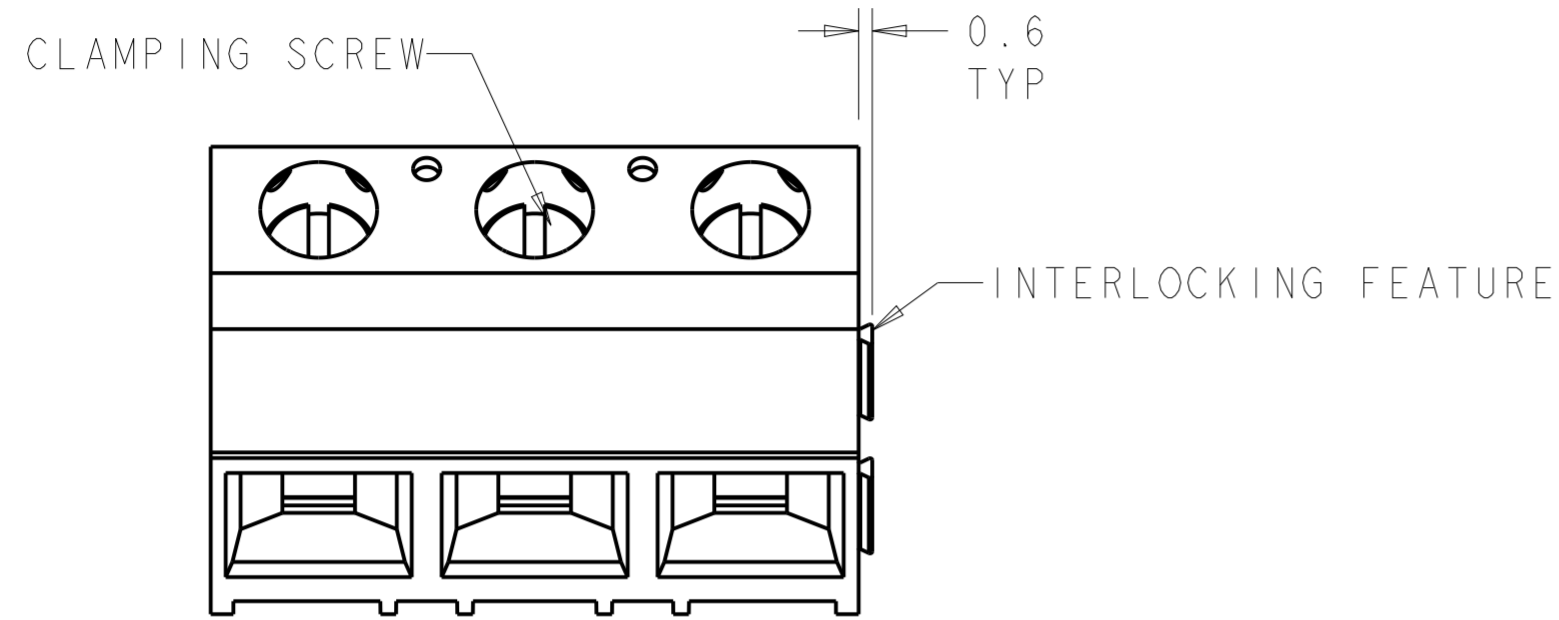
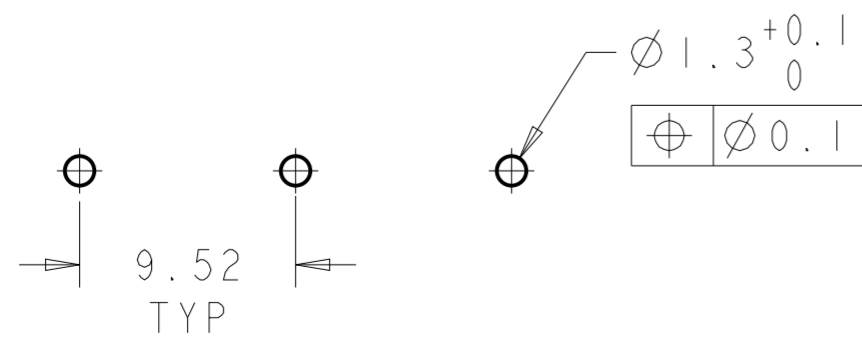


P	LTR	DESCRIPTION	DATE	DWN	APVD
C		PACKAGING CHANGED FROM BLACK POLYURETHANE SPOUNGE TO TRAYS	06MAY20		
CI		796741-6 AND 796741-8 OBSOLETE	16FEB2021	DV	PS



796741-3 AS SHOWN

OBSOLETE	76.16	8	796741-8
OBSOLETE	57.12	6	796741-6
	28.56	3	796741-3
	19.04	2	796741-2
	L	No. POS.	PART NUMBER



RECOMMENDED PC BOARD LAYOUT


DIMENSIONS:		TOLERANCES UNLESS OTHERWISE SPECIFIED:		APVD		NAME	
mm		0 PLC ±0.15		DWN	06MAR2001	TE Connectivity	
		1 PLC ±0.2		CHK	06MAR2001	TERMINAL BLOCK, PCB MOUNT	
		2 PLC ±0.2		CHK	06MAR2001	35 deg. WIRE ENTRY, HIGH CURRENT	
		3 PLC ±		APVD	06MAR2001	W/INTERLOCK, 9.52mm PITCH	
		4 PLC ±		APVD	06MAR2001	SIZE CAGE CODE DRAWING NO RESTRICTED TO	
		ANGLES ±		APVD	D. BIEVENOUR	A200779 C-796741	
MATERIAL		FINISH ±		PRODUCT SPEC		SCALE 3:1 SHEET 1 OF 2 REV C1	
SEE NOTES				APPLICATION SPEC			
				WEIGHT			
				CUSTOMER DRAWING			

REVISIONS

P	LTR	DESCRIPTION	DATE	DWN	APVD
-		SEE SHEET 1	-	-	-

NOTES:

- MATERIALS AND FINISH
HOUSING: PA 6-6, UL 94-VO, COLOR: GREEN
CLAMP: BRASS, NICKEL PLATED.
CLAMPING SCREW: M3.5, BRASS, NICKEL PLATED.
TERMINAL: BRASS, TIN PLATED.
- MECHANICAL
WIRE STRIPPING LENGTH : 7.0-8.0 mm
MIN. PC BOARD HOLES DIAMETER : 1.3 mm
MAX. PC BOARD THICKNESS : 4 mm
RECOMMENDED TIGHTENING TORQUE FOR SCREW : 0.8 Nm.
- ELECTRICAL
WIRE RANGE : 10-30 AWG
MAX. VOLTAGE : 600 V
MAX CURRENT : 30 A
CONTACT RESISTANCE : <15 m Ohm
INSULATION RESISTANCE : >1000 M Ohm (500V DC)
- END-TO-END STACKABLE W/INTERLOCK, WITHOUT LOSS OF CENTERLINE SPACING.
- RECOGNIZED UNDER THE COMPONENT PROGRAM OF UNDERWRITERS LABORATORY INC. FILE No. E60677.
- ⚠ NOT CUMULATIVE TOLERANCE.
- PACKED IN TRAY.

THIS DRAWING IS A CONTROLLED DOCUMENT.		DWN E. ZANOLINI 06MAR2001	 TE Connectivity	
DIMENSIONS: mm		CHK E. ZANOLINI 06MAR2001		
TOLERANCES UNLESS OTHERWISE SPECIFIED: 0 PLC ±0.15 1 PLC ±0.2 2 PLC ±0.2 3 PLC ± 4 PLC ± ANGLES ± FINISH		APVD D. BIEVENOUR 06MAR2001	NAME TERMINAL BLOCK, PCB MOUNT 35 deg. WIRE ENTRY, HIGH CURRENT W/INTERLOCK, 9.52mm PITCH	
MATERIAL		PRODUCT SPEC -	RESTRICTED TO	
SEE NOTES		APPLICATION SPEC -	SIZE A2	CAGE CODE 00779
SEE NOTES		WEIGHT -	DRAWING NO C-796741	SCALE 3:1
CUSTOMER DRAWING		SHEET 2 OF 2		REV C1

单击下面可查看定价，库存，交付和生命周期等信息

[>>TE Connectivity\(泰科\)](#)