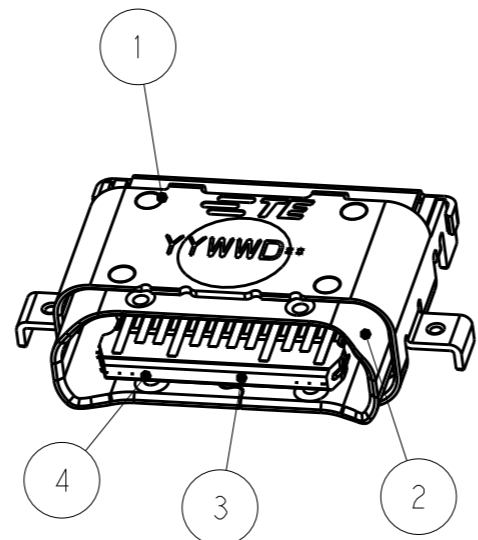
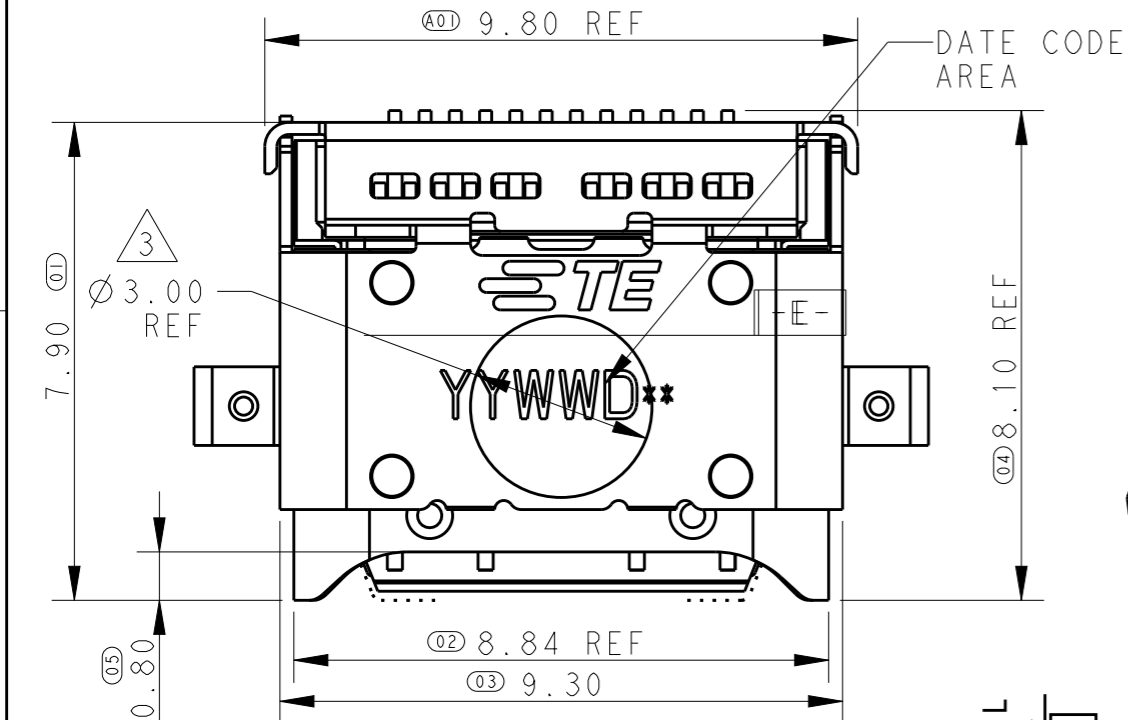


THIS DRAWING IS UNPUBLISHED. RELEASED FOR PUBLICATION 20
 © COPYRIGHT 20 BY - ALL RIGHTS RESERVED.

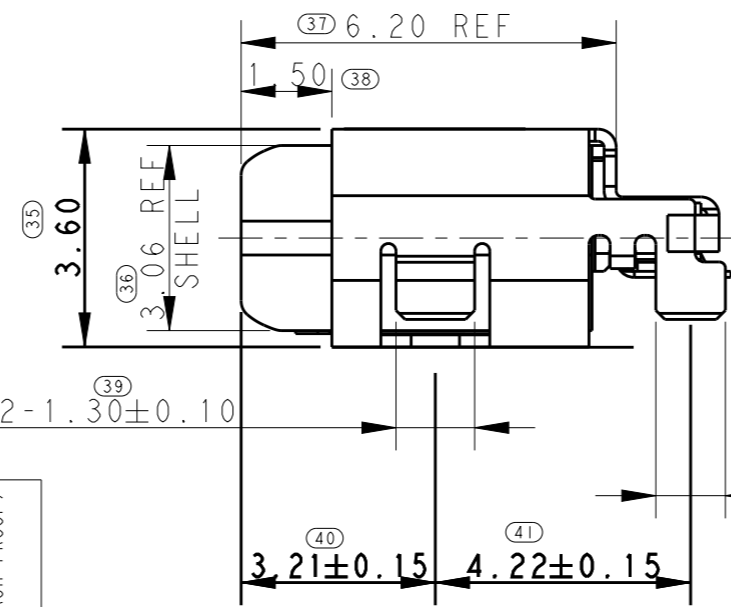
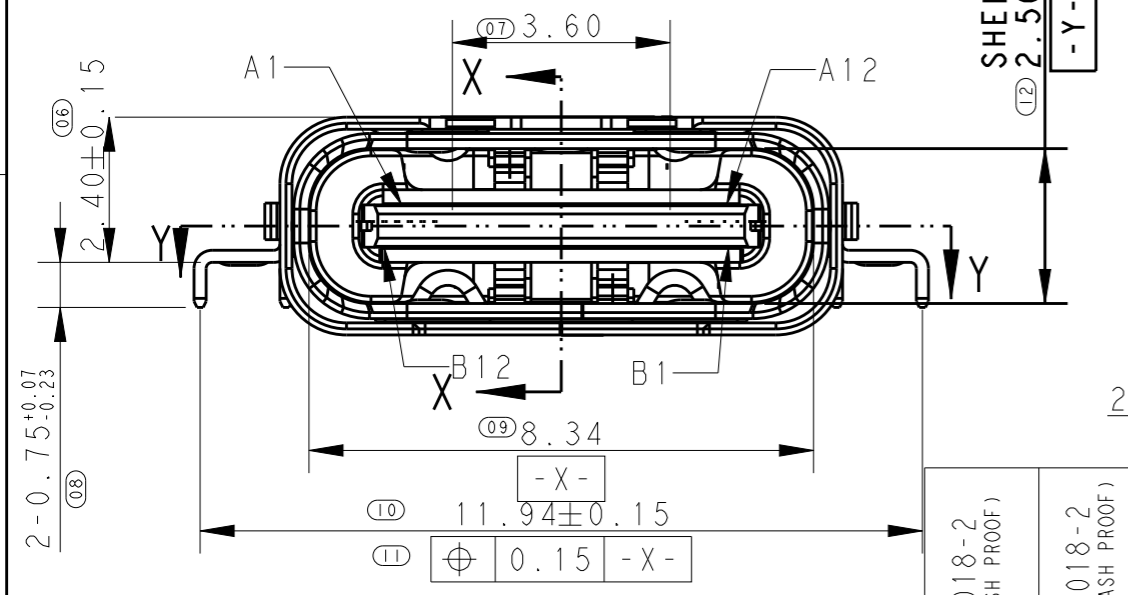
REVISIONS				
P	LTR	DESCRIPTION	DATE	APVD
A		REVISED	07APR2017	A.X H.WU
A1		REVISED PER ECR-17-004423	13NOV2017	S.ZH S.L
B		REVISED PER ECR-18-010233	T.Z	S.L

SHOWN AS; 2295018-2



- NOTES:
 1. MATERIAL : SEE TABLE "A"
 2. FINISH : SEE TABLE "A"
 3. PICKING AREA
 4. DATE CODE
 5. FEATURES IDENTIFIED AS STATISTICALLY TOLERANCED (ST)

DAY SHIFT OR NIGHT SHIFT
 YYWWD**
 ASSY LINE NO. A,B,C,***



FOR ALL SMT CONTACT TAILS BEFORE REFLOW 0.08MAX. AFTER REFLOW 0.10MAX.

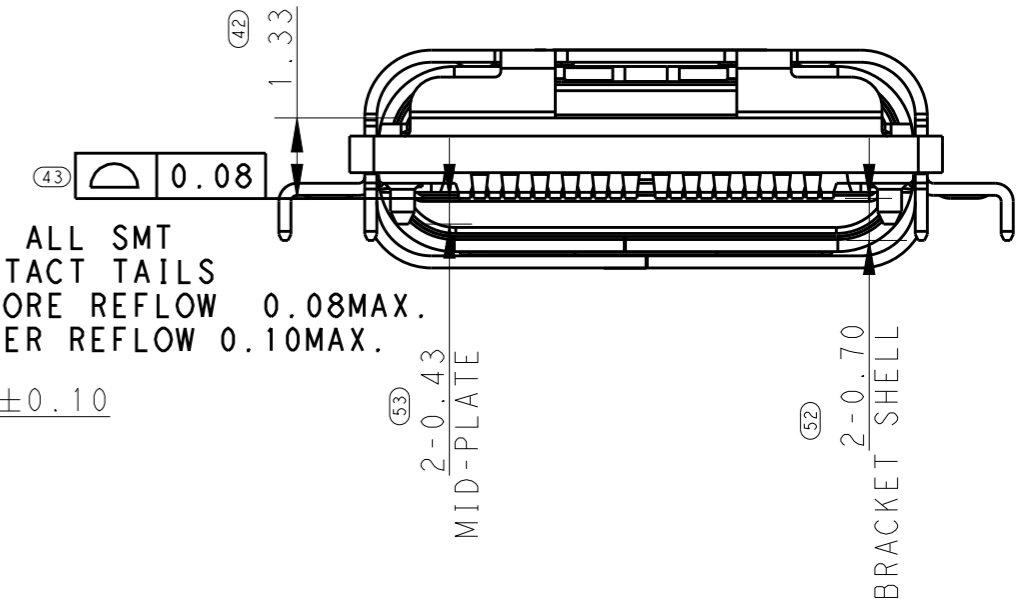


TABLE "A"

ITEM	DESCRIPTION	MATERIAL AND FINISH	Q'TY	Q'TY
-	PACKAGE	-	-	-
11	POTTING	SILICONE	1	1
10	MYLAR	POLYIMID TAPE	1	-
9	LOWER CONTACT	ALLOY. CONTACT AREA:0.75um MIN Au PLATED. SOLDER AREA:GOLD FLASH.	1	1
8	UPPER CONTACT	ALL OVER:1.27 um MIN NI PLATED	1	1
7	LOWER CONTACT IM	HIGH TEMPERATURE PLASTIC,BLACK, UL94V-0	1	1
6	UPPER CONTACT IM	HIGH TEMPERATURE PLASTIC,BLACK, UL94V-0	1	1
5	INNER SHELL	STAINLESS STEEL, CLEANING	2	2
4	MID-PLATE	STAINLESS STEEL, OVER ALL, 1.27um MIN NI PLATED.	1	1
3	MAIN IM HOUSING	HIGH TEMPERATURE PLASTIC,BLACK, UL94V-0	1	1
2	MAIN SHELL	STAINLESS STEEL, OVER ALL, 1.27 um MIN NI PLATED.	1	1
1	BRACKET SHELL	STAINLESS STEEL, OVER ALL, 1.27 um MIN NI PLATED.	1	1

2295018-2 (SPLASH PROOF)
 1-2295018-2 (NONE SPLASH PROOF)

51

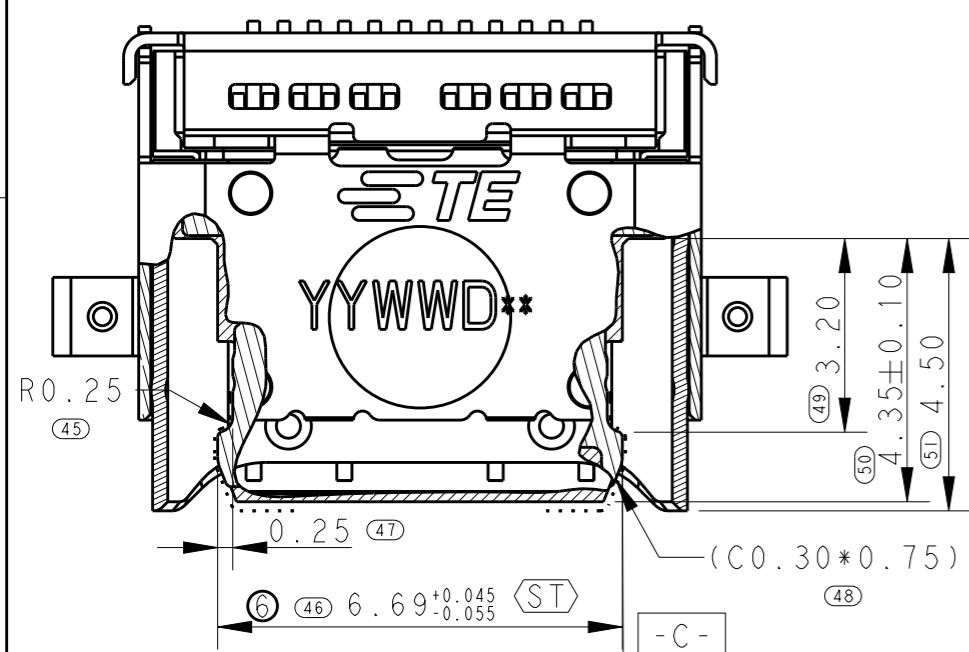
THIS DRAWING IS A CONTROLLED DOCUMENT.		DWN S.ZH 18AUG2015	 TE Connectivity	NAME USB C, RECEPTACLE, DUAL ROW SMT, OFFSET 0.65MM
DIMENSIONS: mm		CHK H.WU 18AUG2015		
TOLERANCES UNLESS OTHERWISE SPECIFIED:		APVD H.WU 18AUG2015		
0 PLC ±0.25 1 PLC ±0.25 2 PLC ±0.25 3 PLC ±0.25 4 PLC ±0.25 ANGLES ±3°		PRODUCT SPEC 108-115109-2		
MATERIAL SEE DRAWING		FINISH -	APPLICATION SPEC 501-115141-2	RESTRICTED TO -
-		-	WEIGHT -	SIZE A3
-		-	CUSTOMER DRAWING	CAGE CODE -
-		-	SCALE 1:1	DRAWING NO C-2295018
-		-	SHEET 1 OF 4	REV B1

THIS DRAWING IS UNPUBLISHED. RELEASED FOR PUBLICATION 20
COPYRIGHT 20 BY - ALL RIGHTS RESERVED.

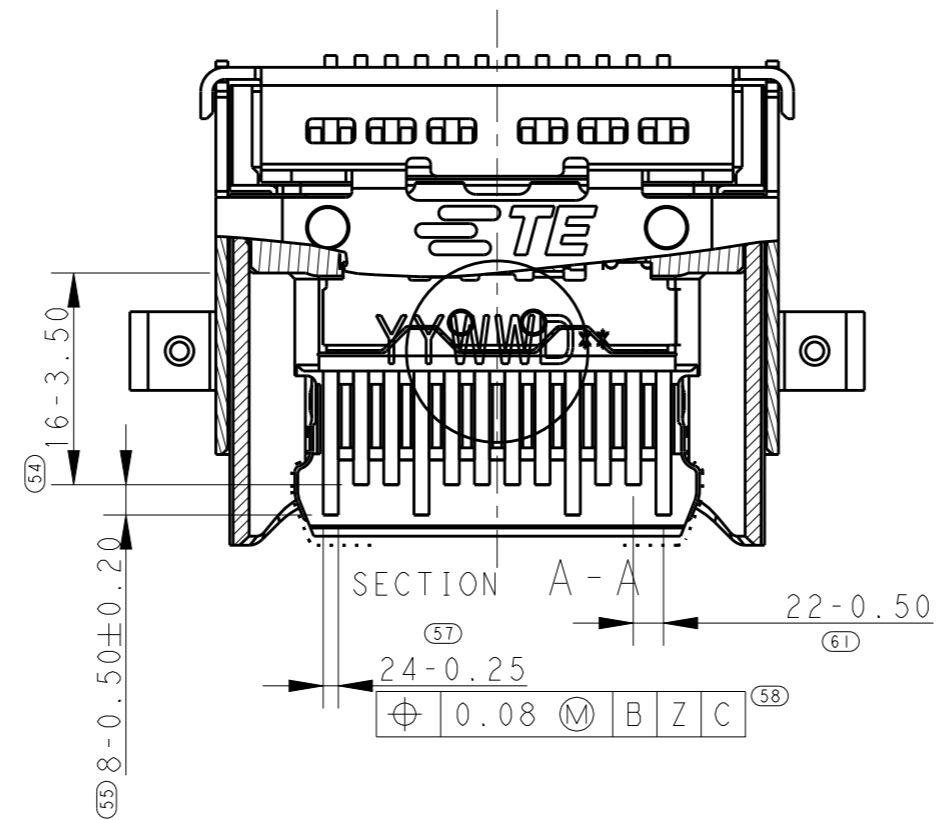
REVISIONS

P	LTR	DESCRIPTION	DATE	DWN	APVD
-	-	SEE SHEET 1	-	-	-

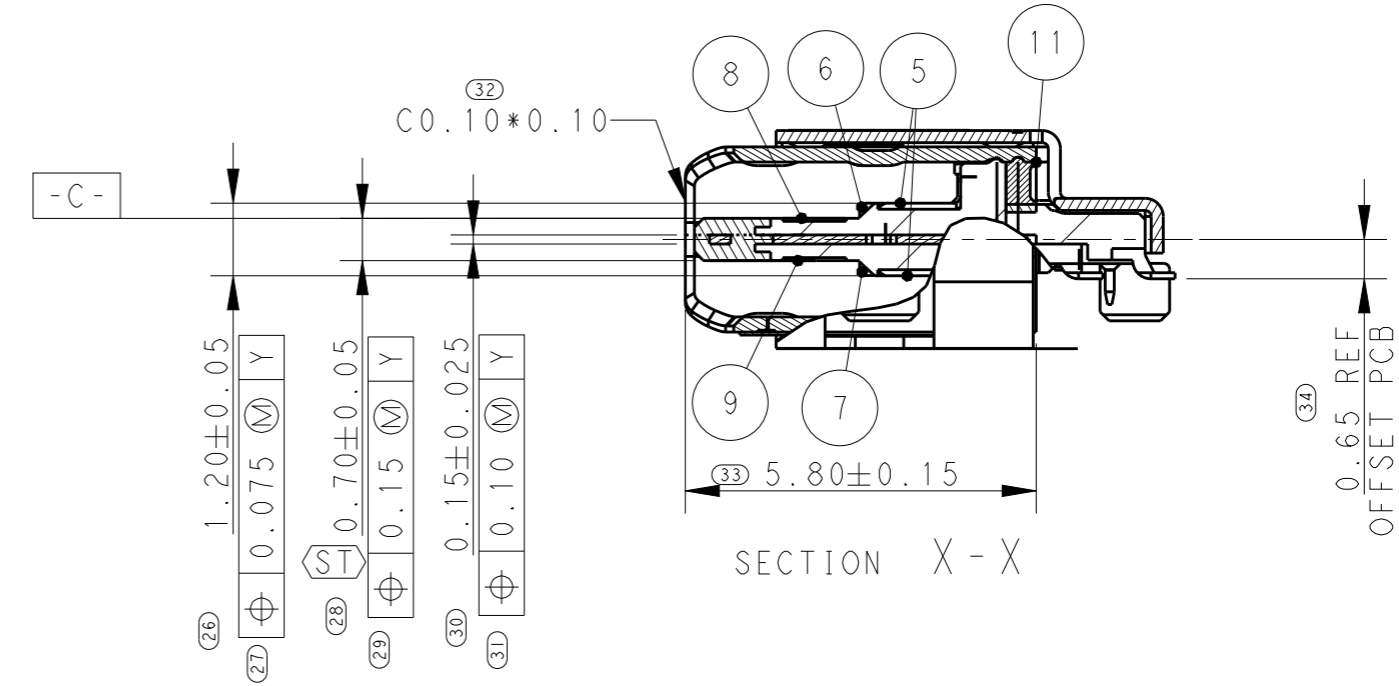
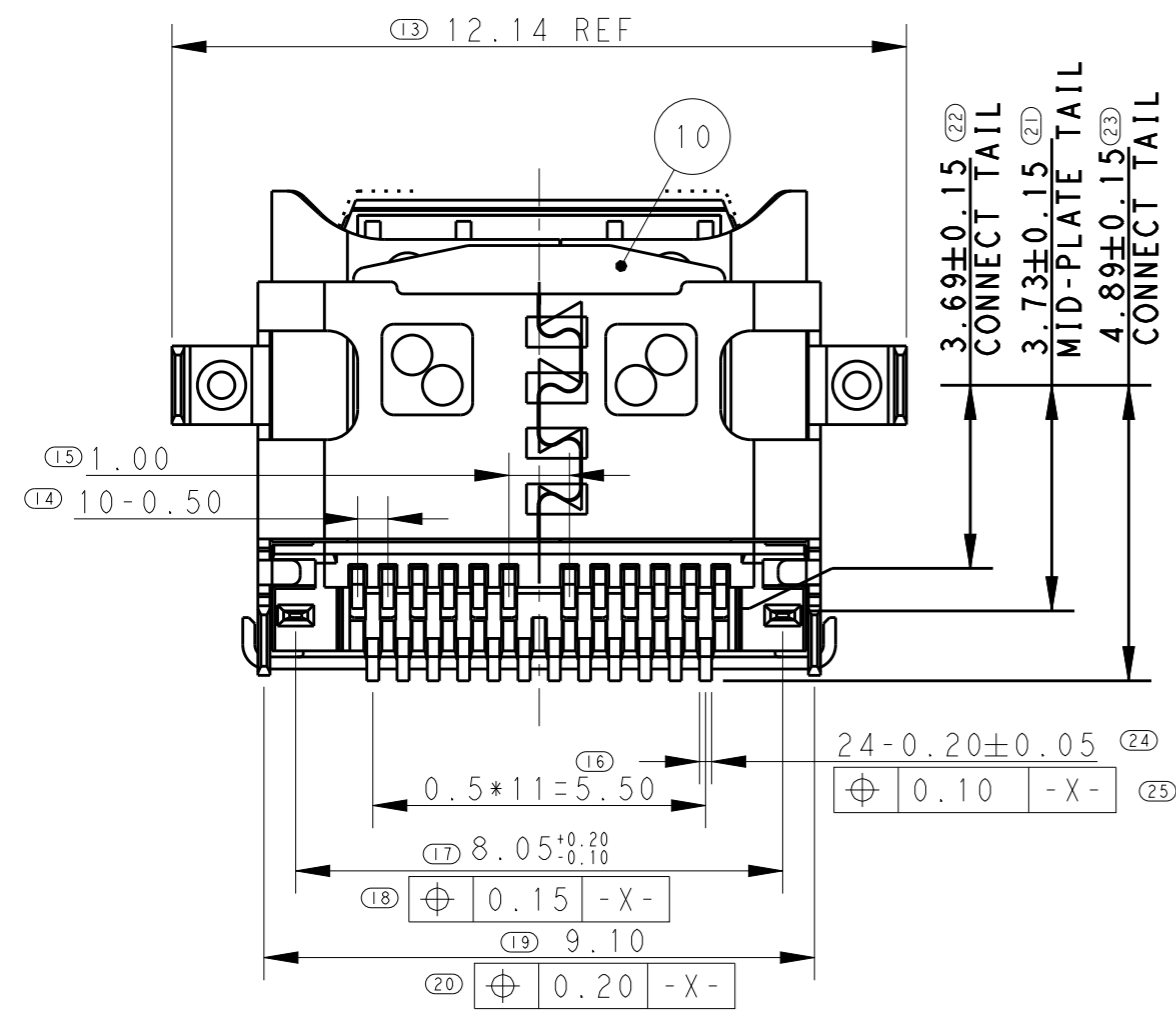
SHOWN AS; 2295018-2




SECTION Y - Y



SECTION A - A



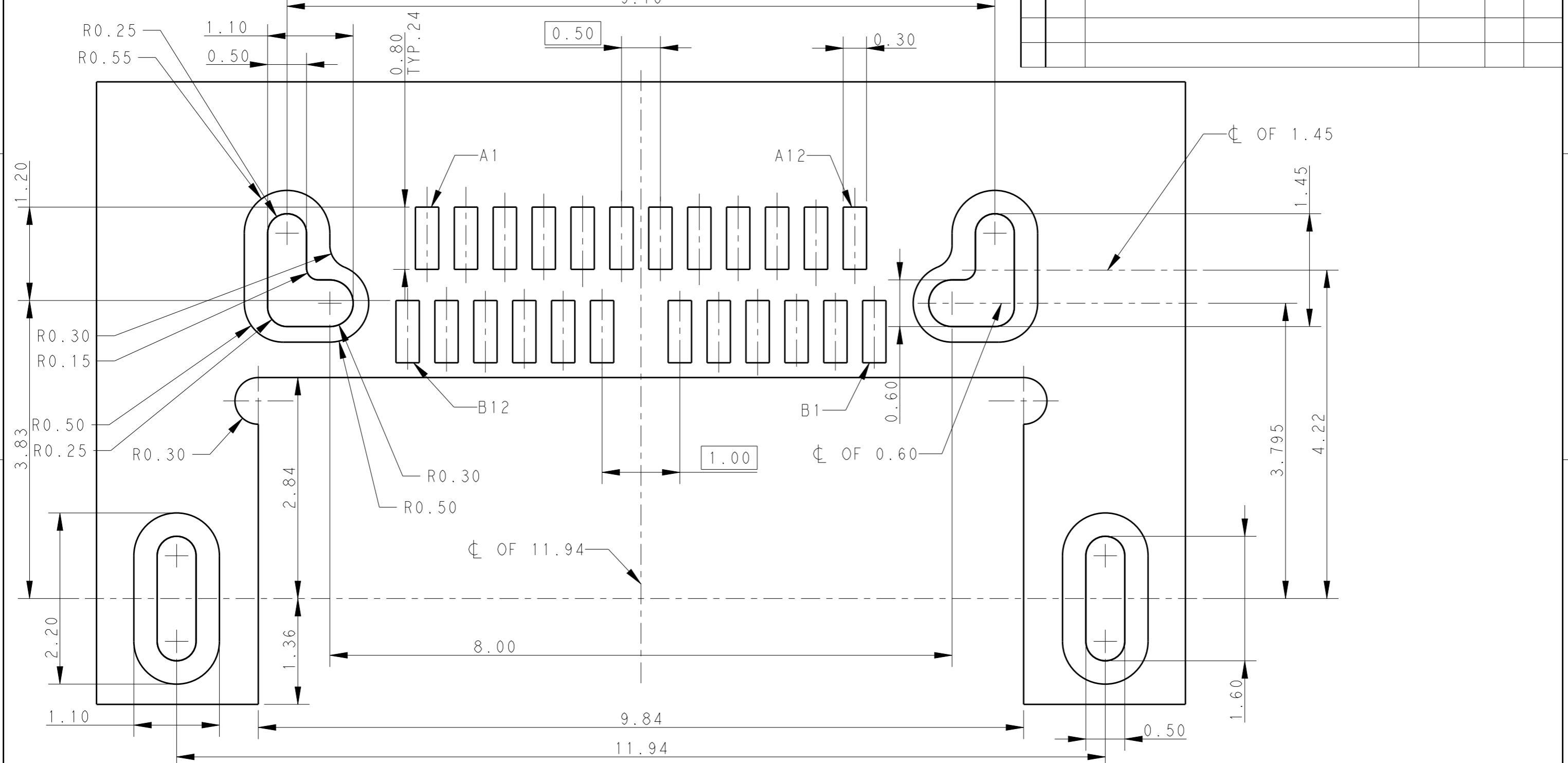
SECTION X - X

THIS DRAWING IS A CONTROLLED DOCUMENT.		DWN S.ZH 18AUG2015	 TE Connectivity	
DIMENSIONS: mm		CHK H.WU 18AUG2015		
TOLERANCES UNLESS OTHERWISE SPECIFIED:		APVD H.WU 18AUG2015	NAME USB C, RECEPTACLE, DUAL ROW SMT, OFFSET 0.65MM	
0 PLC ±0.25		PRODUCT SPEC 108-115109-2	SIZE A3	
1 PLC ±0.25		APPLICATION SPEC 501-115141-2	CAGE CODE -	
2 PLC ±0.25		WEIGHT -	DRAWING NO C-2295018	
3 PLC ±0.25		CUSTOMER DRAWING	RESTRICTED TO -	
4 PLC ±0.25			SCALE 1:1	
ANGLES ±3°			SHEET 2 OF 4	
FINISH -			REV B1	

THIS DRAWING IS UNPUBLISHED. RELEASED FOR PUBLICATION 20
 © COPYRIGHT 20 BY - ALL RIGHTS RESERVED.

REVISIONS				
P	LTR	DESCRIPTION	DATE	APVD
-	-	SEE SHEET 1	-	-

SHOWN AS; 2295018-2, 1-2295018-2
 9.10



ONLY REFERENCE PCB LAYOUT (TOP VIEW)
 THICKNESS: 0.80MM
 GENERAL TOLERANCE: ±0.03

SCALE 20:1

RECEPTACLE PIN LABEL:

A1	A2	A3	A4	A5	A6	A7	A8	A9	A10	A11	A12
GND	TX1+	TX1-	VBUS	CC1	D+	D-	SBU1	VBUS	RX2-	RX2+	GND
GND	RX1+	RX1-	VBUS	SBU2	D-	D+	CC2	VBUS	TX2-	TX2+	GND
B12	B11	B10	B9	B8	B7	B6	B5	B4	B3	B2	B1

THIS DRAWING IS A CONTROLLED DOCUMENT.	
DIMENSIONS: mm	TOLERANCES UNLESS OTHERWISE SPECIFIED:
	0 PLC ±0.25
	1 PLC ±0.25
	2 PLC ±0.25
	3 PLC ±0.25
	4 PLC ±0.25
	ANGLES ±3°
MATERIAL SEE DRAWING	FINISH
	-

DWN	S.ZH	18AUG2015
CHK	H.WU	18AUG2015
APVD	H.WU	18AUG2015
PRODUCT SPEC	108-115109-2	
APPLICATION SPEC	501-115141-2	
WEIGHT	-	
CUSTOMER DRAWING		

TE Connectivity		NAME	
		USB C, RECEPTACLE, DUAL ROW SMT, OFFSET 0.65MM	
SIZE	CAGE CODE	DRAWING NO	RESTRICTED TO
A3	-	©-2295018	-
SCALE 1:1		SHEET 3 OF 4	REV B1

4

3

2

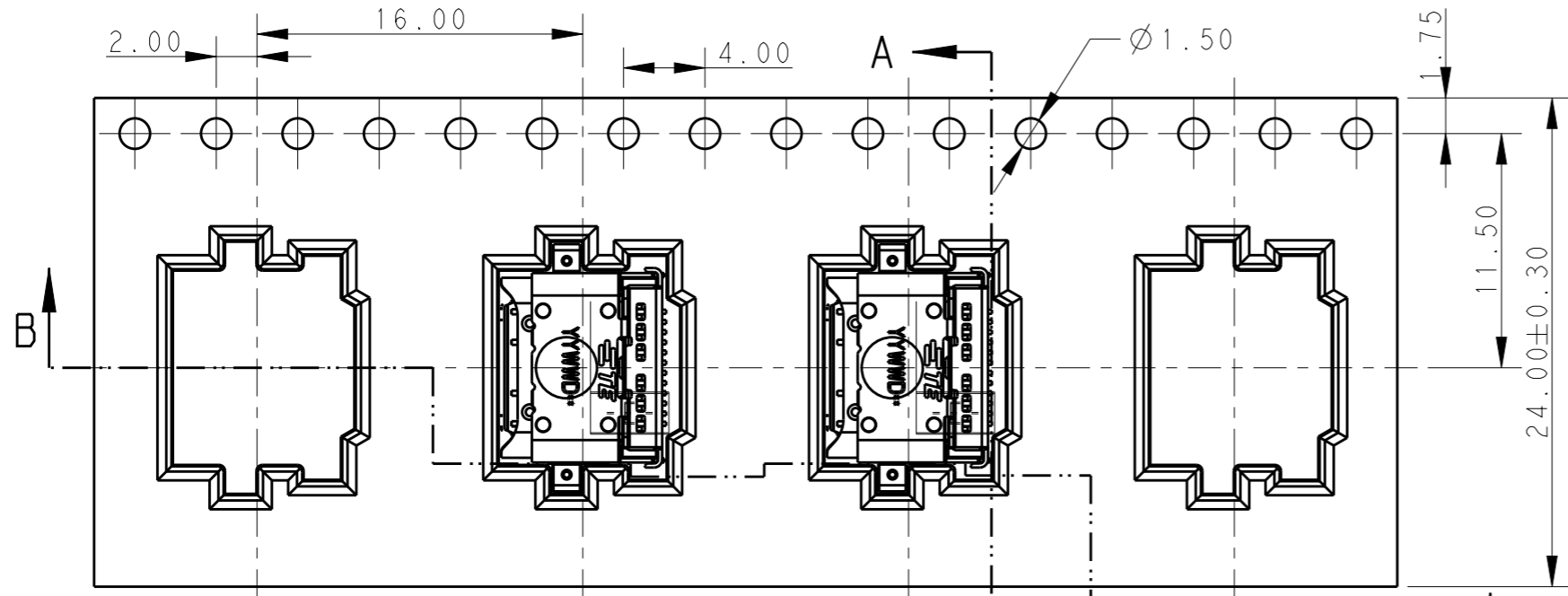
1

THIS DRAWING IS UNPUBLISHED. RELEASED FOR PUBLICATION 20
© COPYRIGHT 20 BY - ALL RIGHTS RESERVED.

REVISIONS					
P	LTR	DESCRIPTION	DATE	DWN	APVD
-	-	SEE SHEET 1	-	-	-

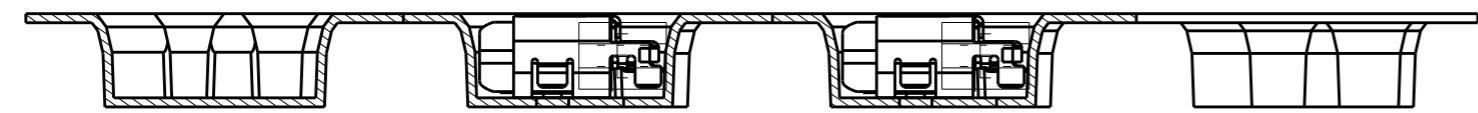
SHOWN AS; 2295018-2, 1-2295018-2

CUSTOMER FEED DIRECTION →

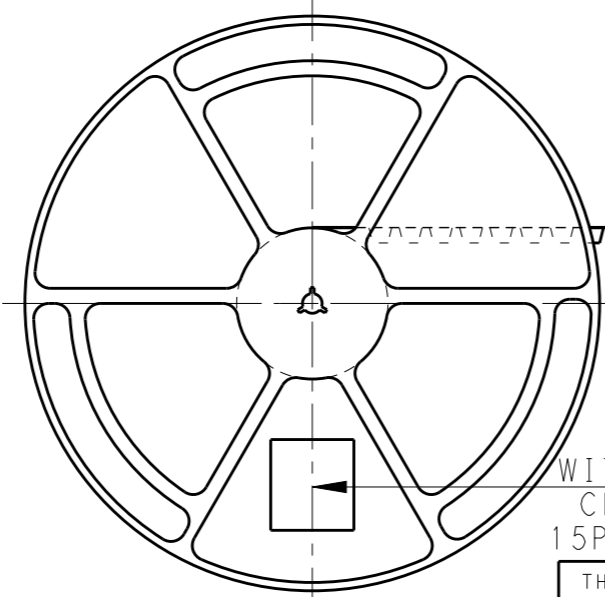
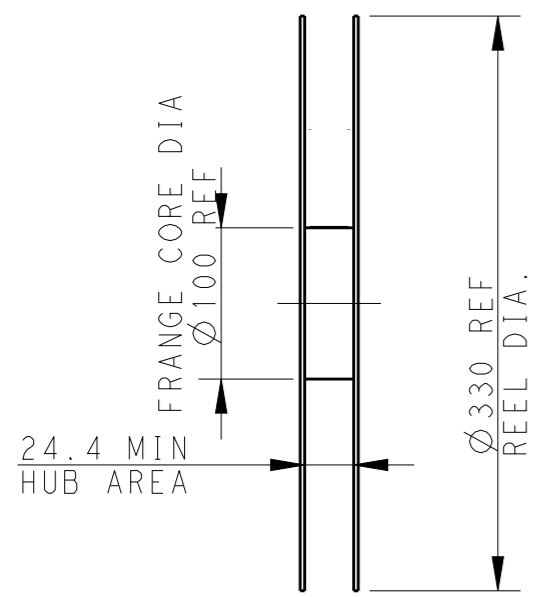


SCALE 3:1

SECTION A-A



SECTION B-B



USER PULL OUT DIRECTION →

WITHOUT CHARGE 15PCS REF WITH PRODUCT CHARGE 900PCS WITHOUT CHARGE 10PCS REF

THIS DRAWING IS A CONTROLLED DOCUMENT.		DWN S.ZH 18AUG2015	STE TE Connectivity
DIMENSIONS: mm		CHK H.WU 18AUG2015	
TOLERANCES UNLESS OTHERWISE SPECIFIED:		APVD H.WU 18AUG2015	NAME USB C, RECEPTACLE, DUAL ROW SMT, OFFSET 0.65MM
0 PLC ±0.25		PRODUCT SPEC 108-115109-2	SIZE A3
1 PLC ±0.25		APPLICATION SPEC 501-115141-2	CAGE CODE -
2 PLC ±0.25		WEIGHT -	DRAWING NO C-2295018
3 PLC ±0.25		CUSTOMER DRAWING	RESTRICTED TO -
4 PLC ±0.25		SCALE 1:1	SHEET 4 OF 4
ANGLES ±3°		REV B1	
FINISH -			
MATERIAL SEE DRAWING			

单击下面可查看定价，库存，交付和生命周期等信息

[>>TE Connectivity\(泰科\)](#)