

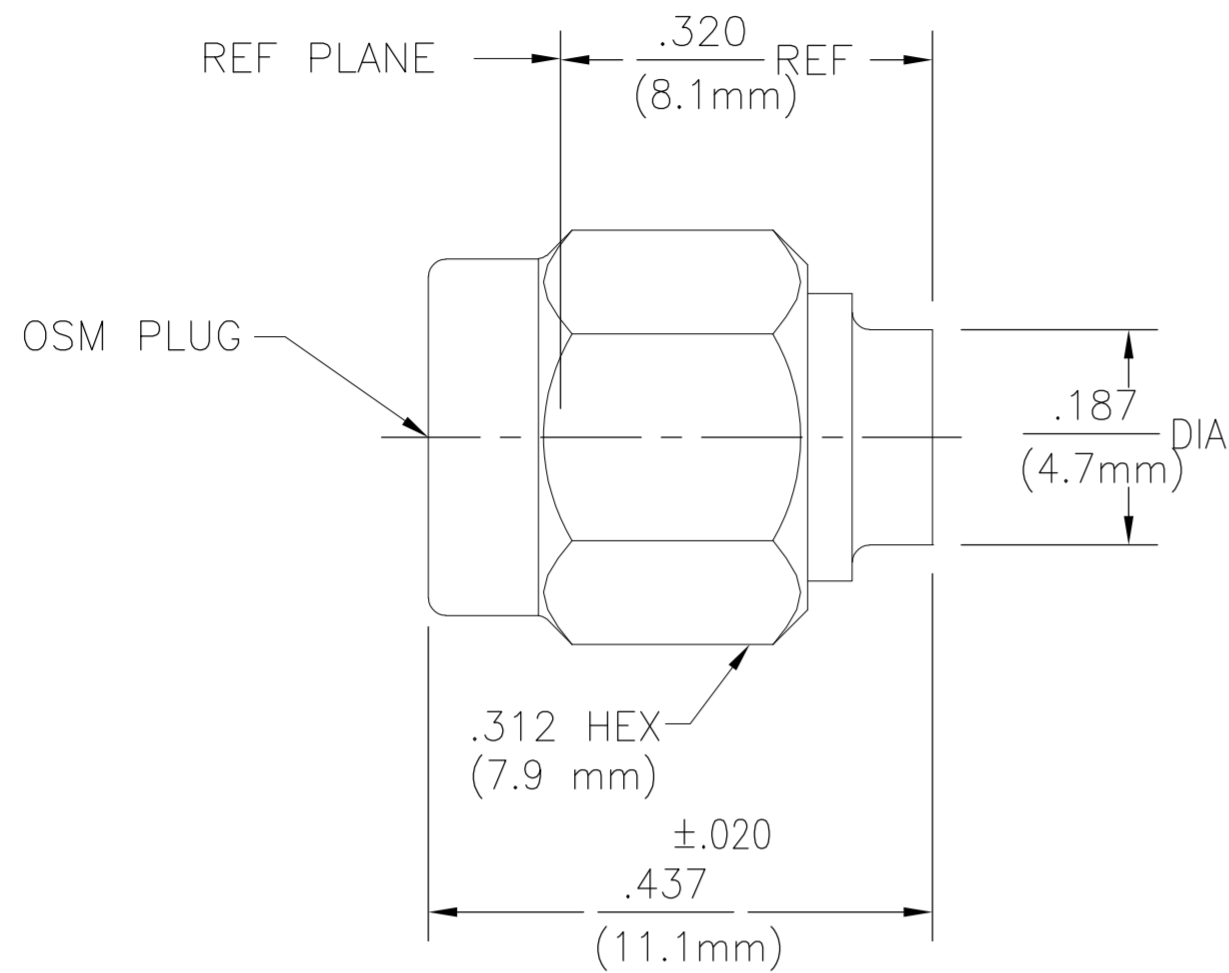
THIS DRAWING IS UNPUBLISHED. RELEASED FOR PUBLICATION  
 © COPYRIGHT BY TYCO ELECTRONICS CORPORATION. ALL INTERNATIONAL RIGHTS RESERVED.

DESIGNED FOR USE WITH  
 .085 DIA S.R. CABLE  
 CABLE ENTRY DIAMETER  
 MINIMUM

CONTACT	.021
HOUSING	.089

LOC DIST  
 AJ 00

REVISIONS						
P	LTR	DESCRIPTION	DATE	DWN	APVD	
B		REV PER ECO 07-004710	03-14-07	DW	KW	
C		REVISED PER ECO-08-030676	02-24-09	AEG	JKO	



- ① BRASS
- ② STAINLESS STEEL
- ③ BERYLLIUM COPPER
- ④ PTFE
- ⑤ GOLD PLATE
- ⑥ PASSIVATED
- ⑦ SILICONE RUBBER
- ⑧ NICKEL PLATE

ELECTRICAL	MECHANICAL	ENVIRONMENTAL
Nominal Impedance (Ohms) <u>50</u>	Interface Dimensions MIL-STD-348, Fig. <u>310.1</u>	TEMPERATURE RATING <u>-65°C TO 105°C</u>
Frequency Range (GHz) DC to <u>18.0</u>	Recommended Mating Torque <u>7 to 10 in-lbs</u>	Vibration MIL-STD-202, Method 204, Condition D.
Volt Rating (VRMS MAX) @ Sea Level <u>335</u>	Coupling Nut: Retention (lbs MIN) <u>60</u>	Shock MIL-STD-202, Method 213, Condition I.
VSWR <u>1.07 + .008 f(GHz)</u>	Proof Torque (in-lbs MIN) <u>15</u>	Thermal Shock MIL-STD-202, Method 107, Condition B, EXCEPT HIGH TEMP <u>115°C.</u>
Insertion Loss (dB MAX) <u>.03 √f(GHz)</u>	Force to Engage and Disengage (in-lbs MAX) <u>2.0</u>	Moisture Resistance MIL-STD-202, Method 106.
RF Leakage (dB MIN) <u>-[90-f(GHz)]</u>	Center Contact Captivation Axial (lbs) <u>N/A</u>	Corrosion - MIL-STD-202, Method 101, Condition B, 5% salt spray.
Dielectric Withstanding Voltage (VRMS MIN) @ Sea Level <u>1,000</u>	Radial (in-oz) <u>N/A</u>	
Contact Resistance (Milliohms MAX) Center Contact <u>3.0</u>	Cable Retention Axial Force (lbs MIN) <u>30</u>	
Outer Contact <u>2.0</u>	Torque (in-oz MIN) <u>16</u>	
RF High Potential @ Sea Level (VRMS MIN @ 5 MHz) <u>670</u>	Weight (Grams) <u>2.2</u>	
I.R.(Megohms MIN) <u>10,000</u>		

④	③⑤	①⑤	①⑧	⑦	③	1050651-2
④	③⑤	②⑤	②⑥	⑦	③	1050651-1
DIELECTRIC	CONTACT	HOUSING	COUPLING NUT	GASKET	RETAINING RING	TE PN

THIS DRAWING IS A CONTROLLED DOCUMENT.		DWN <u>SD</u> 9/23/92	Tyco Electronics Corporation Harrisburg, PA 17105-3608			
DIMENSIONS: INCHES		CHK -	NAME OSM STRAIGHT CABLE PLUG DIRECT SOLDER ATTACHMENT			
TOLERANCES UNLESS OTHERWISE SPECIFIED:		APVD <u>BB</u> 9/23/92	SIZE <u>A2</u> CAGE CODE <u>00779</u> DRAWING NO <u>C=1050651</u> RESTRICTED TO -			
0 PLC ± -		PRODUCT SPEC -	SCALE <u>6:1</u> SHEET <u>1 of 1</u> REV <u>C</u>			
1 PLC ± -		APPLICATION SPEC -				
2 PLC ± -		WEIGHT -				
3 PLC ± .005		CUSTOMER DRAWING				
4 PLC ± -						
ANGLES ± 1°						
FINISH -						

单击下面可查看定价，库存，交付和生命周期等信息

[>>TE Connectivity\(泰科\)](#)