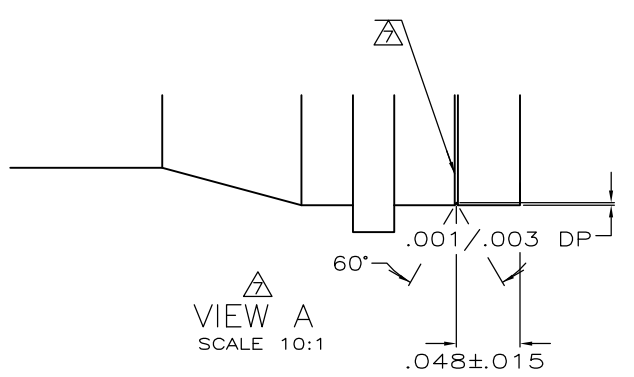
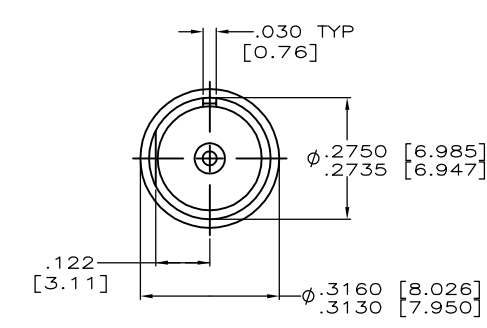
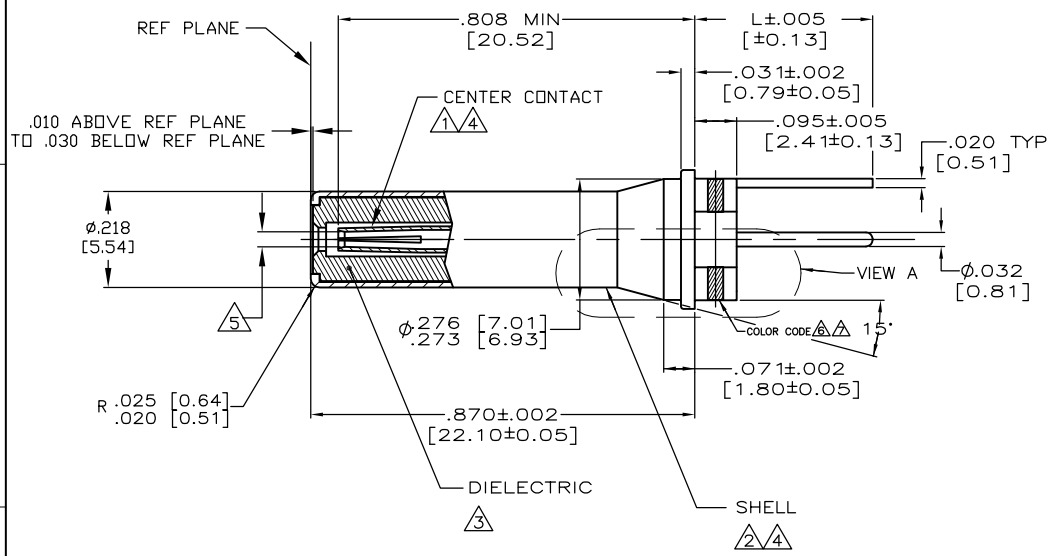


THIS DRAWING IS UNPUBLISHED. RELEASED FOR PUBLICATION
 © COPYRIGHT - By - ALL RIGHTS RESERVED.

REVISIONS					
P	LTR	DESCRIPTION	DATE	DWN	APVD
F1	REV PER ECO	18-005508	5-1-18	CT	FB



- ⚠ BERYLLIUM COPPER PER ASTM-B-196
- ⚠ BRASS PER ASTM-B-16.
- ⚠ PTFE PER ASTM-D-1710.
- ⚠ GOLD PLATE PER MIL-G-45204, TYPE 1, GRADE C, CLASS 1 OVER NICKEL PLATE PER QQ-N-290, CLASS 2, .000050 [0.00127] THK.
- ⚠ SOCKET MATES WITH .040±.001 [0.76±0.03] PIN MIN SEPARATION FORCE: 1.5 OUNCES
- ⚠ COLOR CODE PER MIL-C-39029, .020-.050 [0.51-1.27] WIDTH
- ⚠ IF PART DOES NOT HAVE COLOR CODE GROVE WILL BE PRESENT

PRELIMINARY- NOT RELEASED FOR PRODUCTION	.652 [16.6]	448540-5
	.300 [7.62]	448540-4
	.525 [13.33]	448540-3
	.402 [10.21]	448540-2
	DIM L	PART NUMBER

THIS DRAWING IS A CONTROLLED DOCUMENT.		DWN C.C.THOMAS 10-15-92	TE Connectivity																			
DIMENSIONS: INCHES [mm]		CHK C.SHELLY 10-15-92	NAME																			
TOLERANCES UNLESS OTHERWISE SPECIFIED:		APVD C.SHELLY 10-15-92	PIN, COAX PCB, SIZE B, ARINC-TRIAx																			
<table border="1"> <tr><td>0 PLC</td><td>±</td><td>-</td></tr> <tr><td>1 PLC</td><td>±</td><td>-</td></tr> <tr><td>2 PLC</td><td>±</td><td>-</td></tr> <tr><td>3 PLC</td><td>±</td><td>.001 [0.03]</td></tr> <tr><td>4 PLC</td><td>±</td><td>-</td></tr> <tr><td>ANGLES</td><td>±</td><td>± Z</td></tr> </table>		0 PLC	±	-	1 PLC	±	-	2 PLC	±	-	3 PLC	±	.001 [0.03]	4 PLC	±	-	ANGLES	±	± Z	PRODUCT SPEC	SIZE	
0 PLC	±	-																				
1 PLC	±	-																				
2 PLC	±	-																				
3 PLC	±	.001 [0.03]																				
4 PLC	±	-																				
ANGLES	±	± Z																				
MATERIAL 1 2 3		APPLICATION SPEC	CAGE CODE DRAWING NO																			
FINISH 4		WEIGHT 0	A2 00779 C-448540																			
		CUSTOMER DRAWING	RESTRICTED TO																			
		SCALE 5:1	SHEET 1 of 1 REV F1																			

单击下面可查看定价，库存，交付和生命周期等信息

[>>TE Connectivity\(泰科\)](#)