

4

3

2

1

THIS DRAWING IS UNPUBLISHED.

RELEASED FOR PUBLICATION

20

© COPYRIGHT 20 BY -

ALL RIGHTS RESERVED.

REVISIONS

P	LTR	DESCRIPTION	DATE	DWN	APVD
	A	INITIAL RELEASE	02JUN2015	DL	CW
	A1	ECR-17-017115	28NOV2017	CH	CW
	B	ECR-21-109004	13AUG2021	WQR	CW

4X 77.50  
8X M3 THREAD  
8X M3 螺纹孔  
4X Ø5.5  
2X 27.00  
2X 9.20  
2X 65.00  
2X 110.00

(94.0)  
82.50  
(86.0)  
(56.3)

NOTES:  
1. TECHNICAL CHARACTERISTICS:  
BODY MATERIAL: DIE CAST ALUMINIUM ALLOY  
SURFACE TREATMENT: POWDER COATED, GREY  
DEGREE OF PROTECTION: IP65 (MATED)

注释:  
1. 技术参数:  
主体材料: 铝合金  
表面处理: 灰色粉末喷涂  
防护等级: IP65(配合)

4X Ø5.40  
86.00  
71.00  
2X 110.00  
2X 65.00

开孔安装示意图  
PANNEL CUT OUT

94.00  
2X 47.50  
(6.5)  
(37.6)  
(127.5)

SCALE 1:2

THIS DRAWING IS A CONTROLLED DOCUMENT.

DWN DAVID.LI 02JUN2015

CHK CHRIS.WANG 02JUN2015

APVD XIANG.XU 02JUN2015

PRODUCT SPEC

108-137013

APPLICATION SPEC

114-137013

WEIGHT -

Customer Drawing

NAME H32B-AG

TE Connectivity

DIMENSIONS:

mm

TOLERANCES UNLESS OTHERWISE SPECIFIED:

0 PLC	±-
1 PLC	±-
2 PLC	±-
3 PLC	±-
4 PLC	±-
ANGLES	±-
FINISH	-

MATERIAL

-

Customer Drawing

SIZE

A3

CAGE CODE

-

DRAWING NO

C-T1410322000X00

RESTRICTED TO

-

SCALE

1:1

SHEET

1 OF 2

REV

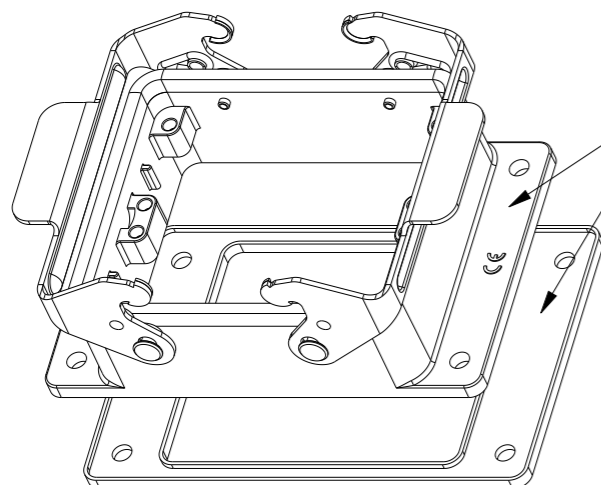
B

1470-19 (3/13)

Downloaded From [Onevac.com](http://Onevac.com)

REVISIONS

P	LTR	DESCRIPTION	DATE	DWN	APVD
-		SEE SHEET 1	-	-	-



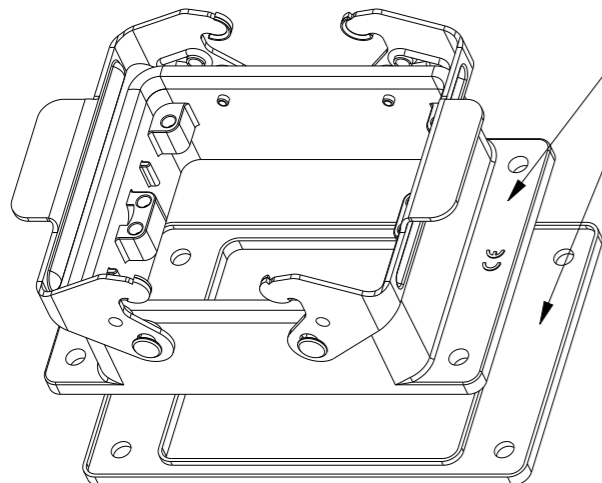
FLANGE SEALING SHOULD NOT BE STICKED TOGETHER WITH HOUSING. PUT TOGETHER SEPARATELY.  
包边密封垫不需和下壳粘在一起, 分开放在一起即可.

SCALE 1:2

TYPE 1  
类型 I

NOTES:

SEE SHEET 1



FLANGE SEALING SHOULD BE STICKED TOGETHER WITH HOUSING USING GLUE FULLY.  
包边密封垫需和下壳用胶水粘在一起

SCALE 1:2

TYPE 2: THIS TYPE IS SAME AS TYPE 1, ONLY FLANGE SEALING SHOULD BE STICKED TOGETHER WITH HOUSING USING GLUE FULLY.  
类型 2: 此类型同类型 I, 只是包边密封圈需要用胶水和壳体粘在一起而已.

T1410322000-100	H32B-AG	H32B HOUSING, BULKHEAD MOUNTED, METAL DOUBLE LOCKING, SEAL, POWDER COATED, GREY H32B下壳, 开孔安装, 彩锌双扣, 带密封垫, 灰色粉末喷涂	TYPE 2 类型 2
T1410322000-000	H32B-AG	H32B HOUSING, BULKHEAD MOUNTED, METAL DOUBLE LOCKING, POWDER COATED, GREY H32B下壳, 开孔安装, 彩锌双扣, 灰色粉末喷涂	TYPE 1 类型 I
PART NUMBER 料号	PART DESCRIPTION 描述		TYPE 类型

THIS DRAWING IS A CONTROLLED DOCUMENT.

DWN 02JUN2015

DAVID.LI

CHK 02JUN2015

CHRIS.WANG

APVD 02JUN2015

XIANG.XU

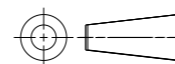
NAME  
H32B-AG



TE Connectivity

DIMENSIONS:

mm



TOLERANCES UNLESS OTHERWISE SPECIFIED:

0 PLC	±-
1 PLC	±-
2 PLC	±-
3 PLC	±-
4 PLC	±-
ANGLES	±-
FINISH	-

MATERIAL

-

-

PRODUCT SPEC  
108-137013

APPLICATION SPEC  
114-137013

WEIGHT

-

Customer Drawing

SIZE	CAGE CODE	DRAWING NO	RESTRICTED TO
A3	-	©-T1410322000X00	-

SCALE 1:1 SHEET 2 OF 2 REV B

单击下面可查看定价，库存，交付和生命周期等信息

[>>TE Connectivity\(泰科\)](#)