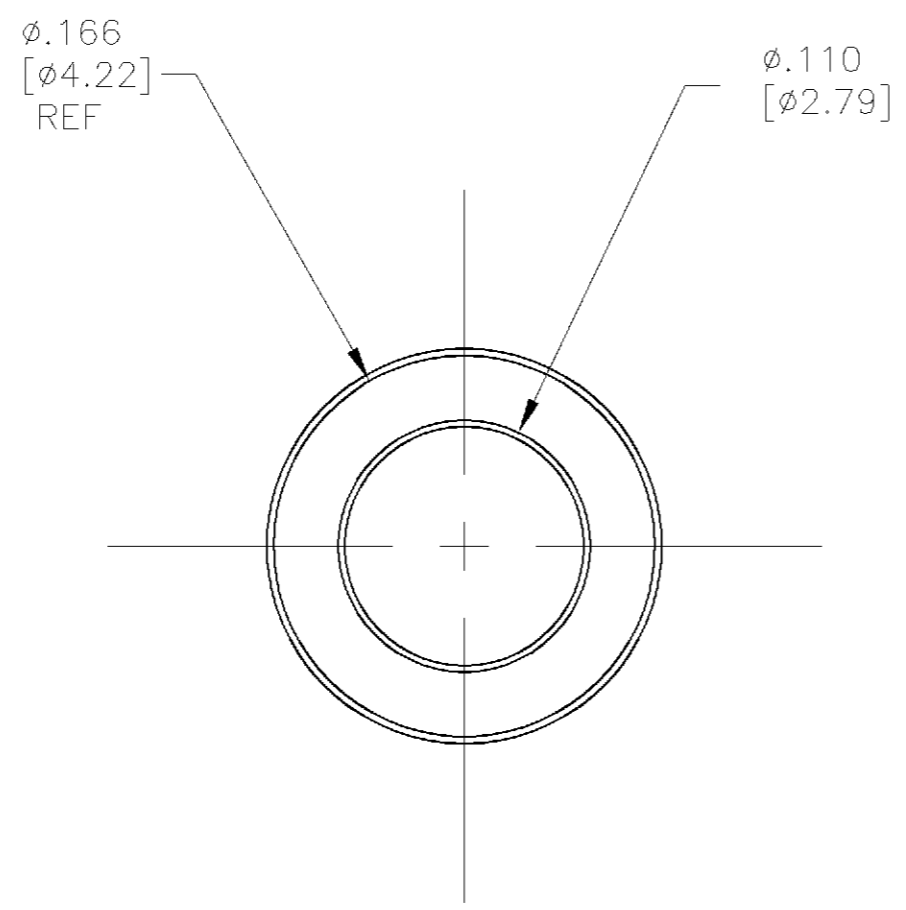


THIS DRAWING IS UNPUBLISHED. RELEASED FOR PUBLICATION  
 © COPYRIGHT BY TYCO ELECTRONICS CORPORATION. ALL RIGHTS RESERVED.

LOC	DIST	REVISIONS			
P	LTR	DESCRIPTION	DATE	DWN	APVD
		0	RELEASED PER OS14-0176-02.	-	JGH JGH



COLOR	MATERIAL	PART NUMBER
BLUE	FLOUROSILICONE PER MIL-R-25988, CLASS I, TYPE I	1405423-2
BLACK	BUNA N (NITRILE) PER MIL-P-25732	1405423-1

THIS DRAWING IS A CONTROLLED DOCUMENT.		DWN J. HAVENER 17APR2002	Tyco Electronics Corporation Harrisburg, PA 17105-3608	
DIMENSIONS: INCHES [mm]		CHK J. HAVENER 25APR02		
TOLERANCES UNLESS OTHERWISE SPECIFIED:		APVD J. HAVENER 25APR02	NAME GASKET, O-RING, OSSP (4700-26)	
0 PLC ± - 1 PLC ± - 2 PLC ± .005 [0.13] 3 PLC ± - 4 PLC ± - ANGLES ± -		PRODUCT SPEC N/A	RESTRICTED TO -	
MATERIAL SEE TABLE		FINISH N/A	APPLICATION SPEC N/A	SIZE A3
		WEIGHT -	CAGE CODE 00779	DRAWING NO C-1405423
CUSTOMER DRAWING			SCALE 12:1	SHEET 1 OF 1
			REV 0	

单击下面可查看定价，库存，交付和生命周期等信息

[>>TE Connectivity\(泰科\)](#)