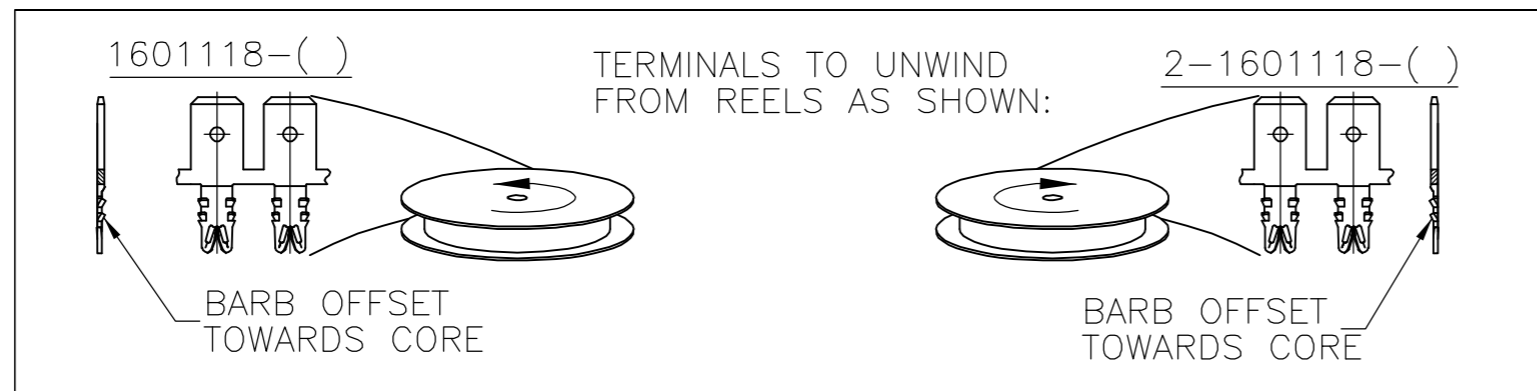
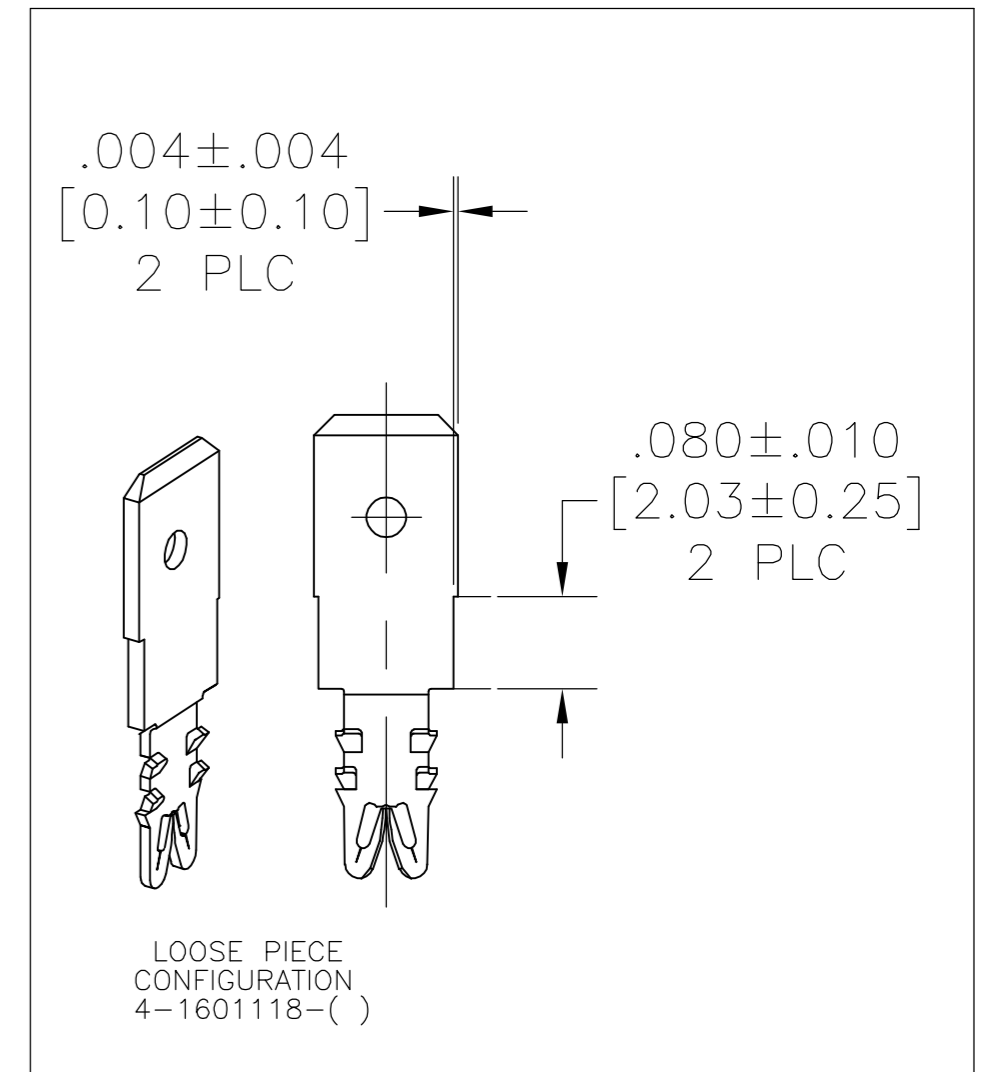
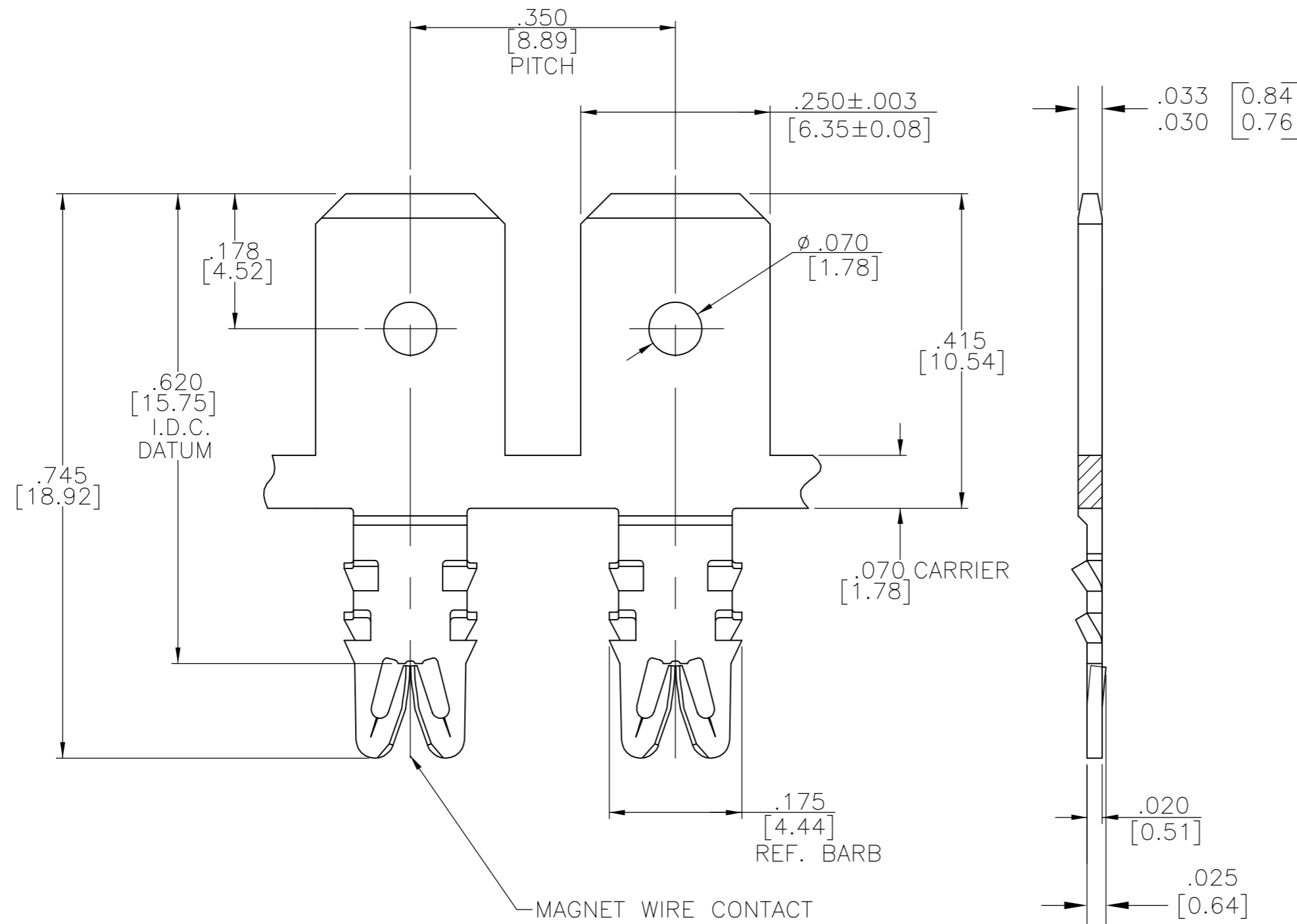


THIS DRAWING IS UNPUBLISHED. RELEASED FOR PUBLICATION  
 © COPYRIGHT BY TYCO ELECTRONICS CORPORATION. ALL RIGHTS RESERVED.

LOC	DIST	REVISIONS			
P	LTR	DESCRIPTION	DATE	DWN	APVD
AF	50				
		D	REV PER ECR-06-027678	01FEB07	JR GJ

- SPECIFICATIONS:  
MAGNET WIRE #27 - #36 AWG, .015"(0.38mm) - .005"(0.13mm) DIA COPPER. OTHER SIZES MAY BE ACCOMMODATED, CONSULT TYCO ELECTRONICS FOR APPROVAL.
- POCKET RECOMMENDATION: #1601425
- TERMINAL APPLICATION TO COMPLY WITH TYCO ELECTRONICS SPECIFICATION 114-13166 FIGURE 6.
- TERMINALS SUPPLIED ON REELS, CAN BE SUPPLIED LOOSE PIECE.
- PRELIMINARY - NOT FOR PRODUCTION



-	-	-
-	-	-
-	-	-
PRE TIN PLATE	150-036-002	2-1601118-2
UNPLATED	-	5 2-1601118-1
PRE TIN PLATE	150-005-002	1601118-2
FINISH	REFERENCE PART NUMBER	TYCO PART NUMBER
THIS DRAWING IS A CONTROLLED DOCUMENT.		
DWN J.WELLER 11JAN2002		Tyco Electronics Corporation Harrisburg, PA 17105-3608
CHK M.FEHER 11JAN2002		
APVD K.RANDOLPH 11JAN2002		
PRODUCT SPEC 108-2244		
APPLICATION SPEC 3		NAME FINE RANGE WIRE TO .250 X .032 MULTI-BARB TAB SIAMEZE TERMINAL
DIMENSIONS: mm [INCHES]	TOLERANCES UNLESS OTHERWISE SPECIFIED:	SIZE CAGE CODE DRAWING NO RESTRICTED TO
	0 PLC ± -	A2 00779 C=1601118
	1 PLC ± -	SCALE 6:1 SHEET 1 OF 1 REV D
	2 PLC ± .01[0.25]	
	3 PLC ± .005[0.13]	
	4 PLC ± -	
	ANGLES ± 2°	
MATERIAL BRASS, 1/2 HARD	FINISH SEE TABLE	
CUSTOMER DRAWING		

单击下面可查看定价，库存，交付和生命周期等信息

[>>TE Connectivity\(泰科\)](#)