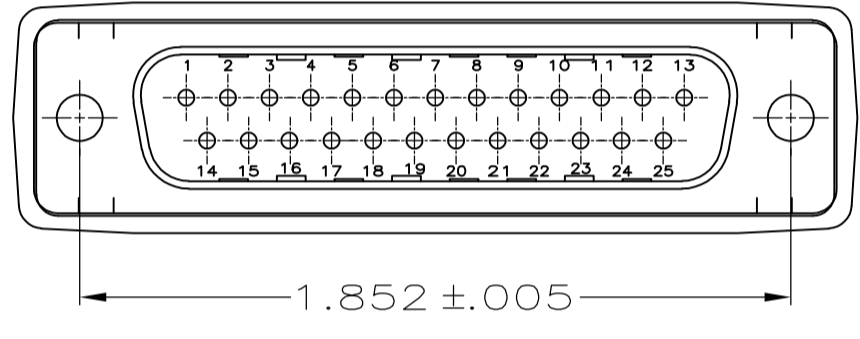
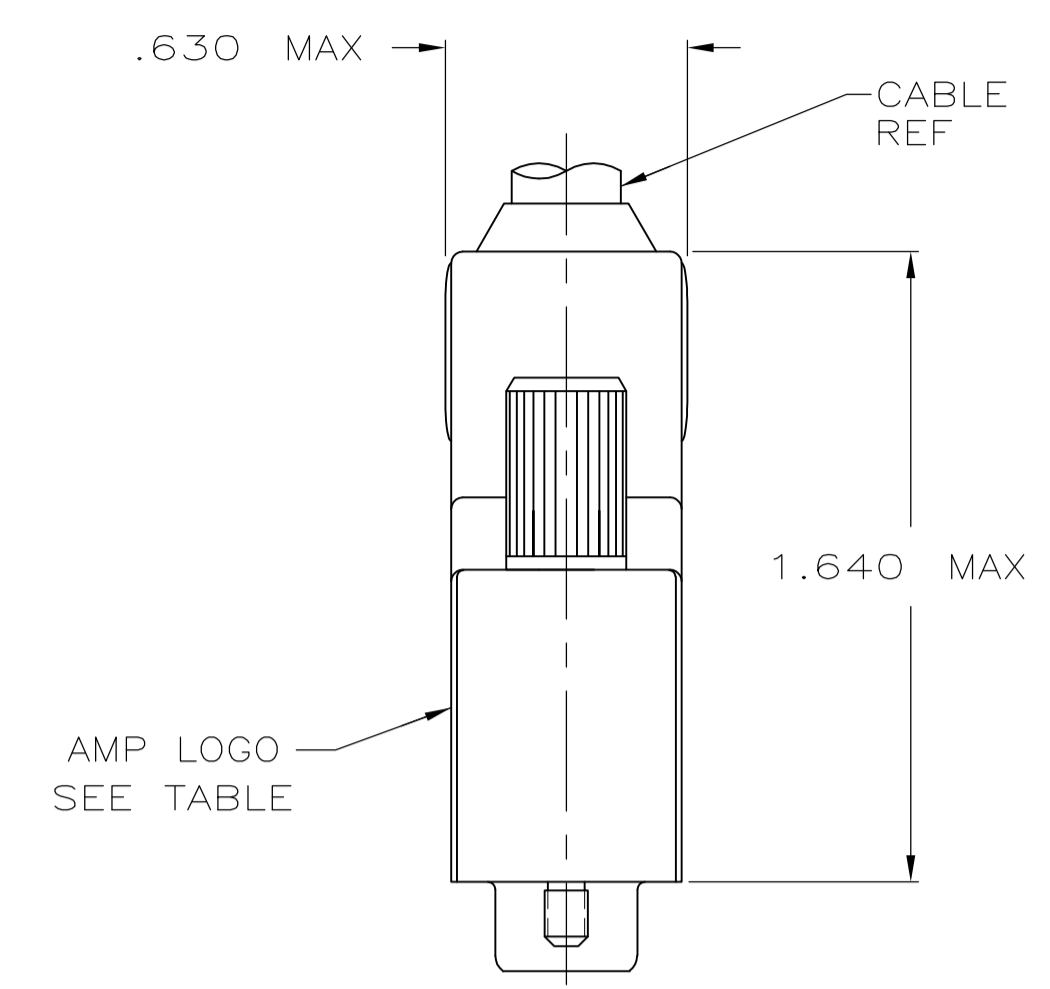
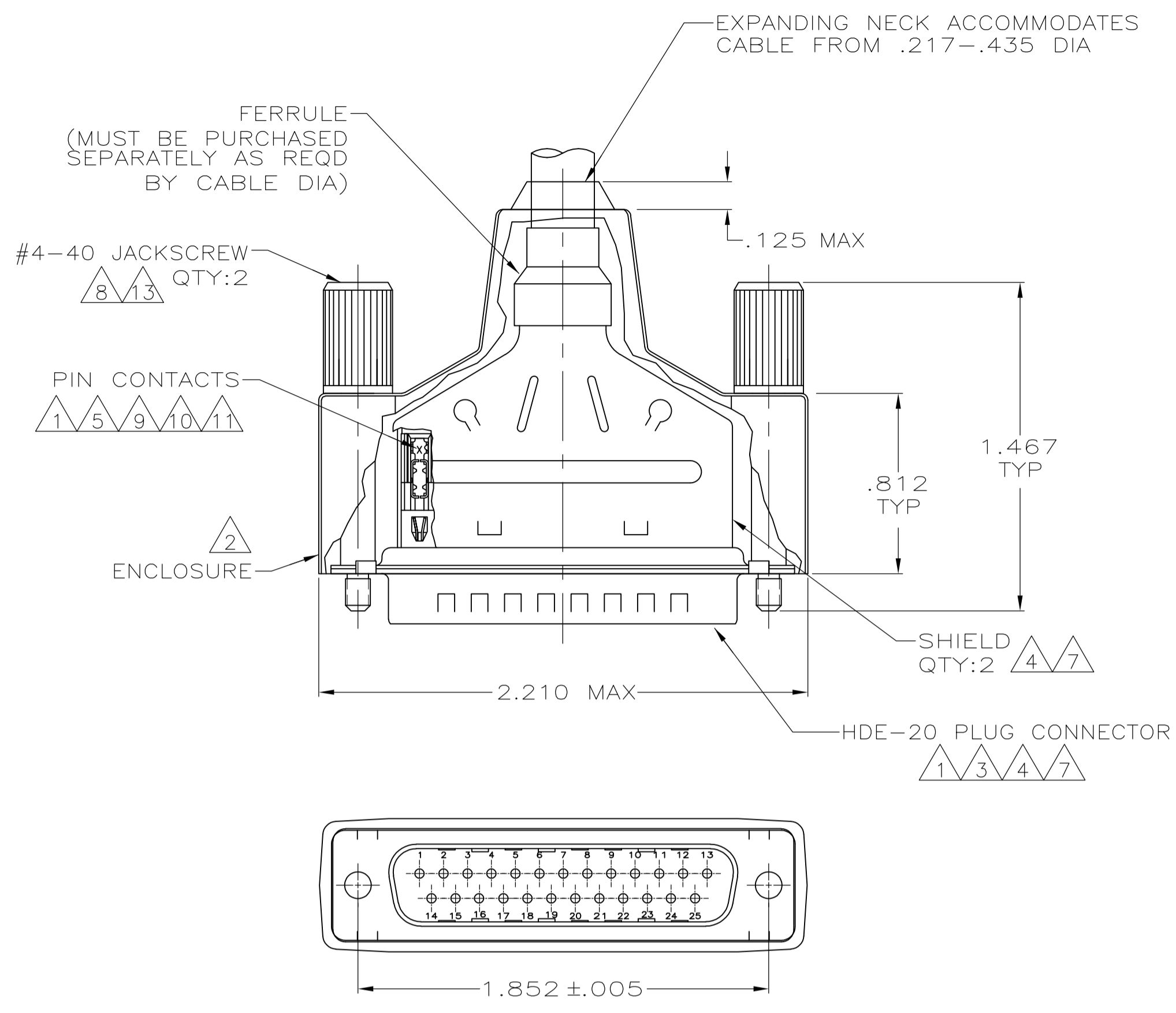


REVISIONS				
P	LTR	DESCRIPTION	DATE	APP'D
Z		REVISED PER ECO-17-002903	20MAR2017	AP DG



- 1 PLUG CONNECTOR FULLY LOADED WITH CONTACTS. ALL OTHER PARTS ARE SHIPPED UNASSEMBLED. EACH PART INDIVIDUALLY BULK PACKED.
- 2 FLAME RETARDANT 94V-0 RATED, POLYOLEFIN OR PVC, BLACK.
- 3 FLAME RETARDANT 94V-0 RATED, GLASS-FILLED, NYLON OR POLYESTER, BLACK.
- 4 STEEL PER ASTM A109.
- 5 PHOSPHOR BRONZE PER QQ-B-750.
- 6 GOLD PLATING PER MIL-G-45204, NICKEL PLATING PER QQ-N-290, TIN PLATING PER MIL-T-10727, ZINC PLATING PER B633, TYPE II, CLASS SCI, BLACK CHROMATE.
- 7 TIN PLATED.
- 8 BLACK ZINC FLAKE COATING.
- 9 CONTACTS PLATED GOLD FLASH FOR A LENGTH OF .150 MIN FROM MATING END, .000100-.000200 BRIGHT TIN OR BRIGHT TIN-LEAD IN WIRE TERMINATION AREA, ALL OVER .000030 MIN NICKEL UNDERPLATE ON ENTIRE CONTACT.
- 10 PLATED WITH .000030 MIN GOLD FOR LENGTH OF .150 MIN FROM MATING END, WITH POINT OF MEASUREMENT .075 FROM MATING END OF CONTACT, .000100-.000200 TIN OR TIN LEAD ON TERMINATION END, ALL OVER .000050 MIN NICKEL ON ENTIRE CONTACT.
- 11 NUMBER ON CONTACT INDICATES WIRE RANGE.
- 12 OBSOLETE PART NUMBER.
- 13 CARBON STEEL, C1022.
- 14 CONTACTS GOLD PLATED FOR A LENGTH OF .150 MIN FROM MATING END, .000030 MIN GOLD IN MATED AREA, .000100-.000200 MATTE TIN IN WIRE TERMINATION AREA, ALL OVER .000050 MIN NICKEL UNDERPLATE ON ENTIRE CONTACT.  
OR  
CONTACTS GOLD PLATED FOR A LENGTH OF .150 MIN FROM MATING END, GOLD FLASH OVER PALLADIUM-NICKEL, .000030 MIN TOTAL IN MATED AREA, .000100-.000200 MATTE TIN IN WIRE TERMINATION AREA, ALL OVER .000050 MIN NICKEL UNDERPLATE ON ENTIRE CONTACT.
- 15 CONTACTS PLATED GOLD FLASH FOR A LENGTH OF .150 MIN FROM MATING END, .000100-.000200 MATTE TIN IN WIRE TERMINATION AREA, ALL OVER .000030 MIN NICKEL UNDERPLATE ON ENTIRE CONTACT.
- 16 OBSOLETE PARTS: OBSOLETE CIS STREAMLINING PER D.RENAUD/D.SINISI.

REV	DESCRIPTION	DATE	BY	CHKD	APP'D
16	OBSOLETE				
15	YES	3	20-22		1-747948-9
15	YES	2	22-26		1-747948-8
15	YES	1	26-30	12	1-747948-7
14	YES	2	22-26		1-747948-6
14	YES	1	26-30		1-747948-5
9	NO	3	20-22	12	1-747948-2
9	NO	2	22-26	12	1-747948-1
9	NO	1	26-30	12	1-747948-0
10	NO	3	20-22	12	747948-9
10	NO	2	22-26	12	747948-8
10	NO	1	26-30	12	747948-7
SUPERCEDED	YES	3	20-22		<del>747948-6</del>
SUPERCEDED BY 1-747948-8	YES	2	22-26		<del>747948-5</del>
	YES	1	26-30	12	747948-4
SUPERCEDED BY 1-747948-6	YES	3	20-22	12	747948-3
SUPERCEDED BY 1-747948-5	YES	2	22-26		<del>747948-2</del>
	YES	1	26-30		<del>747948-1</del>
CONTACT FINISH	LOGO	11	WIRE RANGE		PART NUMBER

THIS DRAWING IS A CONTROLLED DOCUMENT.

DIMENSIONS: INCHES	TOLERANCES UNLESS OTHERWISE SPECIFIED:	0 PLC ± .0005	1 PLC ± .0005	2 PLC ± .0005	3 PLC ± .0005	4 PLC ± .0005	ANGLES ± .0005
--------------------	--	---------------	---------------	---------------	---------------	---------------	----------------

MATERIAL: 2 3 4 5 13 6 7 8

FINISH: CONTACTS: SEE TABLE

WEIGHT: 0.000000

CUSTOMER DRAWING

DATE: 11-17-04

APP'D: M. WALSLEY

NAME: M. WALSLEY

PRODUCT SPEC: 108-40011 & 108-40030

APPLICATION SPEC: 114-40002

SIZE: A1

SCALE: 2:1

SHEET: 1 OF 1

REV: Z

STE TE Connectivity

SHIELDING ENCLOSURE KIT, PLUG, SIZE 3, 25 POSN, AMPLIMITE HDE-20

单击下面可查看定价，库存，交付和生命周期等信息

[>>TE Connectivity\(泰科\)](#)