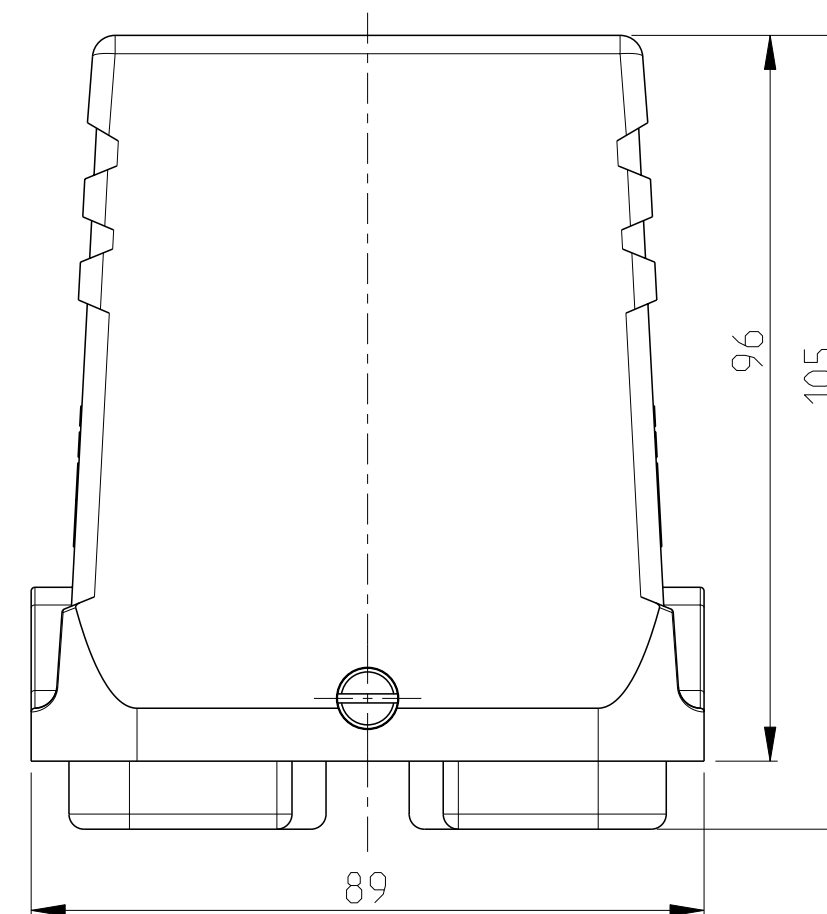
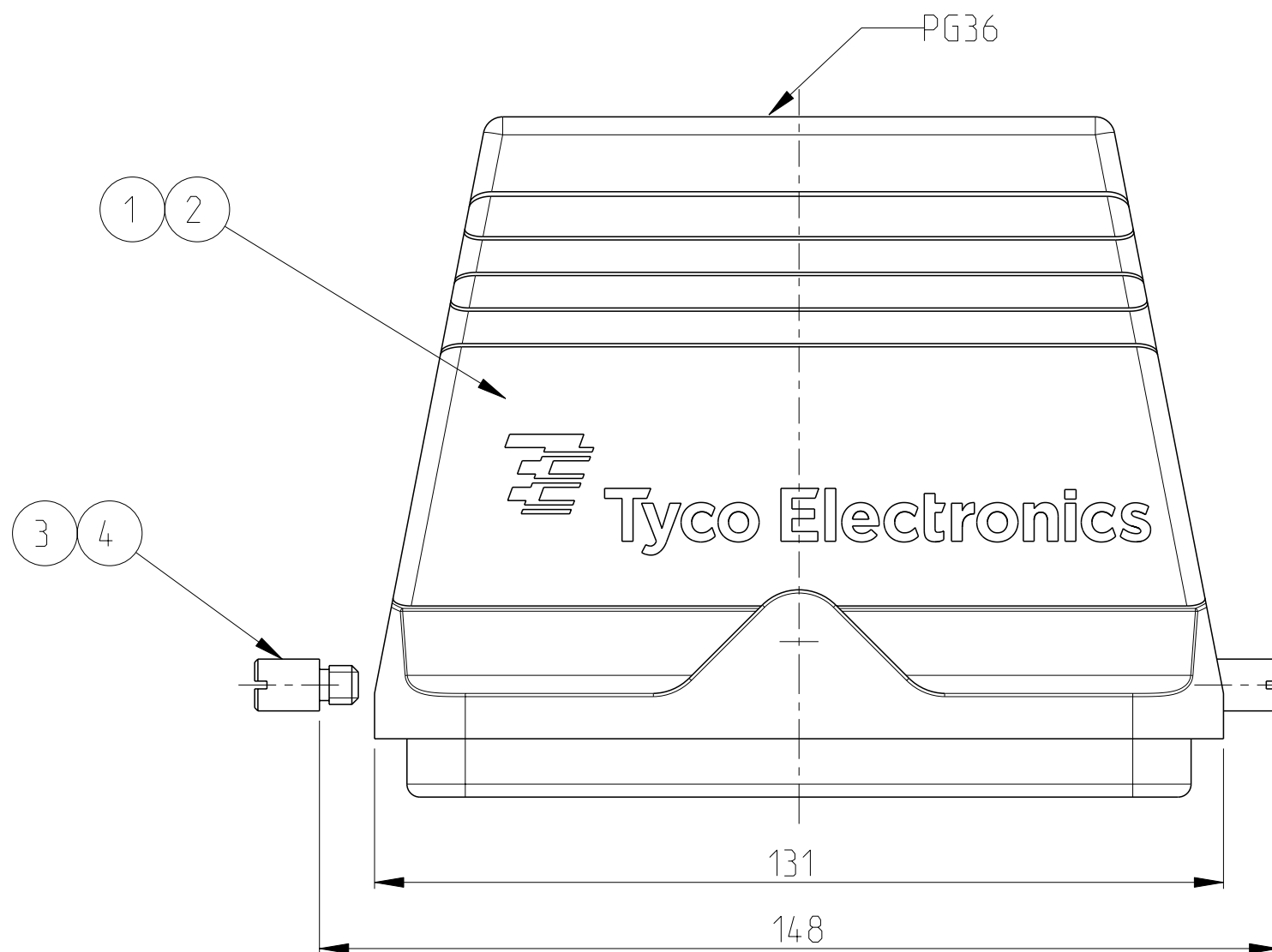


REVISIONS

P	LTR	DESCRIPTION	DATE	DWN	APVD
A3		NEW PRO/E DRAWING ECR-07-019748	20AUG2007	SR	ST
A4		REVISED PER ECR-17-013084	10JAN2018	SRG	MKO



OBSOLETE

2		CLIP BOLT	STAINLESS STEEL	BLANC		4
	2	CLIP BOLT	STEEL	ZINC PLATED	BLUE	3
	1	HOOD HB	ALUMINIUM/ALU	ALUMINIUM OXID	BLACK	2
	1	HOOD HB	ALUMINIUM/ALU		GREY	1
2-7	1-7	DESCRIPTION	MATERIAL	SURFACE	COLOR	ITEM

HB.48.STO-GR.1.36.G  
 HB-K.48.STO-GR.1.36.G

NOTES

- 1 PART SHALL BE FREE AND CLEAN OF BURRS AND OTHER FOREIGN MATERIAL
- 2 PACKAGING: QUANTITY 3 PIECES
- 3 VARNISHING INSIDE HOUSING NOT REQUIRED

THIS DRAWING IS A CONTROLLED DOCUMENT.		DWN R.SCHNEIDER 17AUG2007	<b>TE</b> TE Connectivity	
		CHK SCHNURPFEL 17AUG2007		
DIMENSIONS: mm		APVD -	NAME HOOD ASSY HB.48.STO-GR.1.29.G	
TOLERANCES UNLESS OTHERWISE SPECIFIED:		PRODUCT SPEC -	SIZE A3	
0 PLC ±		APPLICATION SPEC -	CAGE CODE 00779	DRAWING NO C=1102385
1 PLC ±		WEIGHT -	RESTRICTED TO -	
2 PLC ±		CUSTOMER DRAWING		
3 PLC ±		SCALE 1:1		
4 PLC ±		SHEET 1 OF 1		
ANGLES ±°		REV A4		
FINISH -				
MATERIAL material_2				
finish_spec_2				

单击下面可查看定价，库存，交付和生命周期等信息

[>>TE Connectivity\(泰科\)](#)