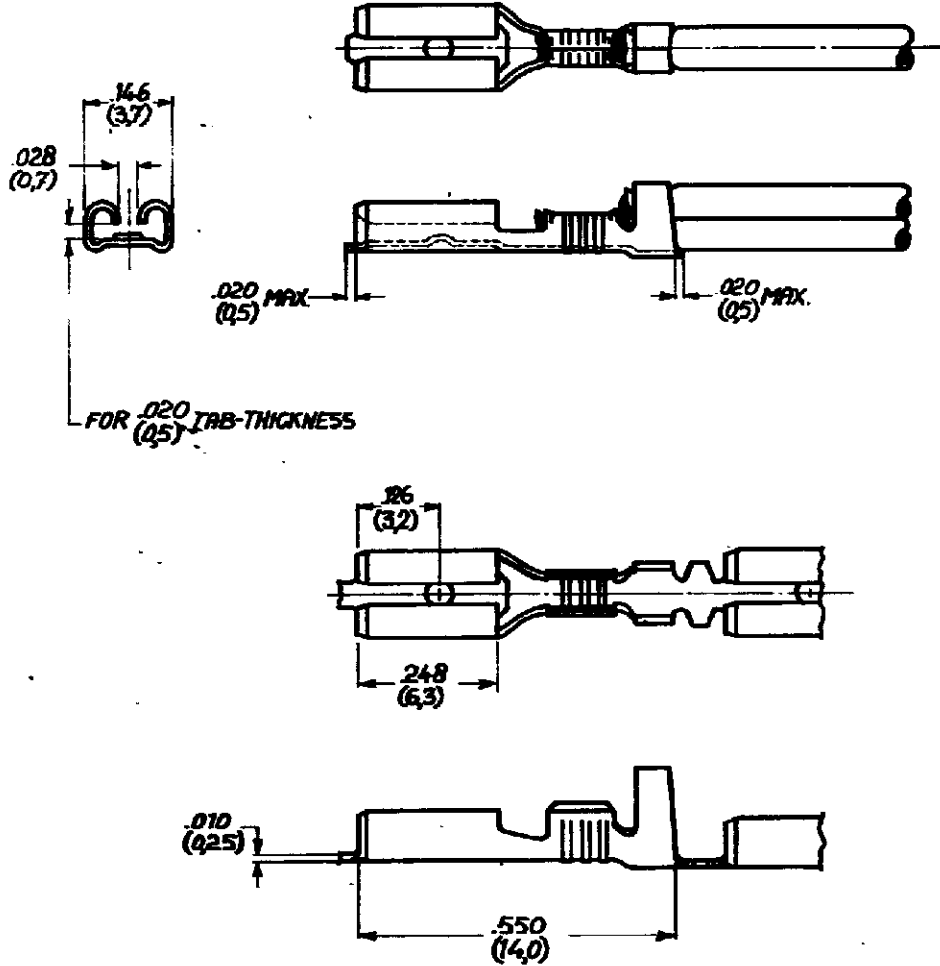


DRAWING MADE IN AMERICAN PROJECTION

⚠️ OBSOLETE PARTS: OBSOLETE CIS STREAMLINING PER D.RENAUD/D.SINISI

NUMBER C-160718



⚠️ FOR AMP-D-TATOR APPLICATION

⚠️ REELED WITH PAPER COVER

160718-9	⚠️	BRASS	PRETIN	⚠️
160718-8	⚠️	BRASS	—	⚠️
160718-5	⚠️	PHOSPHOR BR	—	—
160718-4	⚠️	BRASS	PRETIN	⚠️
160718-3	⚠️	BRASS	SILVER	—
160718-2	⚠️	BRASS	PRETIN	—
160718-1	⚠️	BRASS	—	—
ORDER NO.	MATERIAL	PLATING		
DR R. J. [Signature]	DATE 12/11/77	DATE 2/16/77		
CHK [Signature]	DATE 1/23/77	DATE 1/23/77		

CUSTOMER COPY FOR REFERENCE ONLY

©1977 BY AMP-HOLLAND N.V. ALL RIGHTS RESERVED A-MP PRODUCTS COVERED BY PATENTS AND/OR PATENTS PENDING.



WIRE RANGE 0.5-10 mm ²	INSUL RANGE 0.00-140/2x0.80 20-36 / 2x20	FIRST USED
SCALE 4 ≈ 1	LOC H	SIZE A
NO C-160718		REV E2

NAME 110 Ser FASTON RECEPTACLE

DIMENSIONS IN (MM) INCHES (DO NOT SCALE PRINT)

AMP 1252

单击下面可查看定价，库存，交付和生命周期等信息

[>>TE Connectivity\(泰科\)](#)