

THIS DRAWING IS UNPUBLISHED. RELEASED FOR PUBLICATION 2001
 BY - ALL RIGHTS RESERVED.

| LOC | DIST | REVISIONS | | | | | |
|-----|------|-----------|-----|-----------------------|-----------|-----|------|
| | | P | LTR | DESCRIPTION | DATE | DWN | APVD |
| | | | C1 | RE-ACTIVATED PARTS | 17 MAY 06 | RF | GT |
| | | | C2 | REV PER ECO-09-026495 | 30NOV09 | KK | AEG |
| | | | C3 | ECR-10-026537 | 08JUL11 | KK | HMR |


| NOTES | MATERIAL | DESCRIPTION | SUPERSEDED BY P/N | TE P/N |
|-------------|---|---|-------------------|-------------|
| SEE SHEET 5 | MATERIAL: GLASSFIBER FILLED THERMOPLASTIC UL 94-V1 COLOUR: BLACK | PANEL MOUNT RECEPTACLE ASS'Y FOR SOCKET CONTACT | 0-182920-1 | 7-1437723-6 |
| - | | | - | 7-1437723-4 |
| - | MATERIAL: GLASSFIBER FILLED THERMOPLASTIC UL 94-V1 COLOUR: BLACK | PANEL MOUNT RECEPTACLE ASS'Y FOR PIN CONTACT | 0-182641-1 | 4-1437723-0 |
| - | | | 0-211769-1 | 3-1437723-8 |
| SEE SHEET 4 | MATERIAL: GLASSFIBER FILLED THERMOPLASTIC UL 94-V1 COLOUR: BLACK | RECEPTACLE ASS'Y FOR SOCKET CONTACT | 0-182921-1 | 0-1437723-9 |
| - | | | 0-182918-1 | 7-1437723-2 |
| SEE SHEET 4 | MATERIAL: GLASSFIBER FILLED THERMOPLASTIC UL 94-V1 COLOUR: BLACK | RECEPTACLE ASS'Y FOR PIN CONTACT | 0-183075-1 | 7-1437723-0 |
| SEE SHEET 4 | | | 0-183040-1 | 3-1437723-6 |
| - | SEE RELEVANT DRAWINGS | KEYING PLUG | 0-211767-1 | 0-1437820-7 |
| - | | | 0-182917-1 | 0-1437723-7 |
| SEE SHEET 3 | MATERIAL: GLASSFIBER FILLED THERMOPLASTIC UL 94-V1 COLOUR: BLACK | PLUG ASS'Y FOR PIN CONTACT | 0-206306-2 | 6-1437723-9 |
| - | | | - | 6-1437723-8 |
| - | SEE RELEVANT DRAWINGS | PLUG ASS'Y FOR SOCKET CONTACT | 0-206043-3 | 3-1437723-4 |
| - | | | 0-211769-3 | 3-1437723-3 |
| SEE SHEET 2 | MATERIAL: GLASSFIBER FILLED THERMOPLASTIC UL 94-V1 COLOUR: BLACK | SEALING CAP (PLUG) | 0-183083-1 | 0-1437723-6 |
| - | | | 0-206151-2 | 0-1437820-5 |
| SEE SHEET 2 | MATERIAL: GLASSFIBER FILLED THERMOPLASTIC UL 94-V1 COLOUR: BLACK | BACKSHELL PG THREAD | 0-206838-2 | 6-1437723-7 |
| - | | | - | 3-1437723-2 |
| - | SEE RELEVANT DRAWINGS | BACKSHELL CABLE CLAMP | - | 3-1437723-1 |
| - | | | 0-182919-1 | 0-1437723-5 |
| - | SEE RELEVANT DRAWINGS | SEALING RING | 0-183046-1 | 6-1437718-0 |
| - | | | 0-183047-1 | 6-1437723-1 |
| - | SEE RELEVANT DRAWINGS | SEALING CUP (RECEPTACLE) | 0-182926-1 | 6-1437723-1 |
| - | | | - | 5-1437723-9 |
| - | SEE RELEVANT DRAWINGS | SEALING RING | 0-182649-1 | 2-1437723-5 |
| - | | | 0-211768-1 | 2-1437723-3 |
| - | SEE RELEVANT DRAWINGS | SEALING RING | 0-182651-1 | 0-1437723-1 |
| - | | | 0-182923-1 | 6-1437723-5 |
| - | SEE RELEVANT DRAWINGS | SEALING RING | 0-183073-1 | 6-1437723-3 |
| - | | | 0-183039-1 | 2-1437723-9 |
| - | SEE RELEVANT DRAWINGS | SEALING RING | 0-211766-1 | 2-1437723-7 |
| - | | | 0-182647-1 | 0-1437723-3 |
| - | SEE RELEVANT DRAWINGS | SEALING RING | 0-054012-1 | 9-1437723-2 |
| - | | | 0-054011-1 | 4-1437723-3 |
| - | SEE RELEVANT DRAWINGS | SEALING RING | 0-054010-1 | 0-1437820-8 |
| - | | | 0-081665-5 | 1-1437727-5 |
| - | SEE RELEVANT DRAWINGS | SEALING RING | 0-081665-2 | 7-1437726-0 |
| - | | | 0-081665-3 | 2-1437726-9 |
| - | SEE RELEVANT DRAWINGS | SEALING RING | 0-206403-3 | 8-1437723-5 |
| - | | | 0-206403-2 | 5-1437723-2 |
| - | SEE RELEVANT DRAWINGS | SEALING RING | 0-206403-1 | 1-1437723-7 |
| - | | | 0-208680-1 | 9-1437723-6 |
| - | SEE RELEVANT DRAWINGS | SEALING RING | 0-208652-1 | 9-1437723-1 |
| - | | | 0-208800-1 | 1-1437723-2 |
| SEE SHEET 2 | MATERIAL: GLASSFIBER FILLED THERMOPLASTIC UL 94-V1 COLOUR: BLACK | SEALING RING | - | 9-1437723-7 |
| - | | | 0-183041-1 | 9-1437723-8 |
| SEE SHEET 2 | MATERIAL: GLASSFIBER FILLED THERMOPLASTIC UL 94-V1 COLOUR: BLACK | SEALING RING | 0-183042-1 | 1-1437723-1 |
| - | | | - | 8-1437723-2 |
| - | SEE RELEVANT DRAWINGS | SEALING RING | - | 7-1437723-9 |
| - | | | - | 4-1437723-7 |
| - | SEE RELEVANT DRAWINGS | SEALING RING | - | 4-1437723-4 |
| - | | | - | 1-1437723-4 |
| - | SEE RELEVANT DRAWINGS | SEALING RING | 0-182930-1 | 8-1437723-6 |
| - | | | 0-182652-1 | 8-1437723-8 |
| - | SEE RELEVANT DRAWINGS | SEALING RING | 0-182661-1 | 5-1437723-6 |
| - | | | 0-182655-1 | 5-1437723-3 |
| - | SEE RELEVANT DRAWINGS | SEALING RING | 0-182928-1 | 2-1437723-0 |
| - | | | 0-182658-1 | 1-1437723-8 |

3
 SUPERSEDED 2

3

3

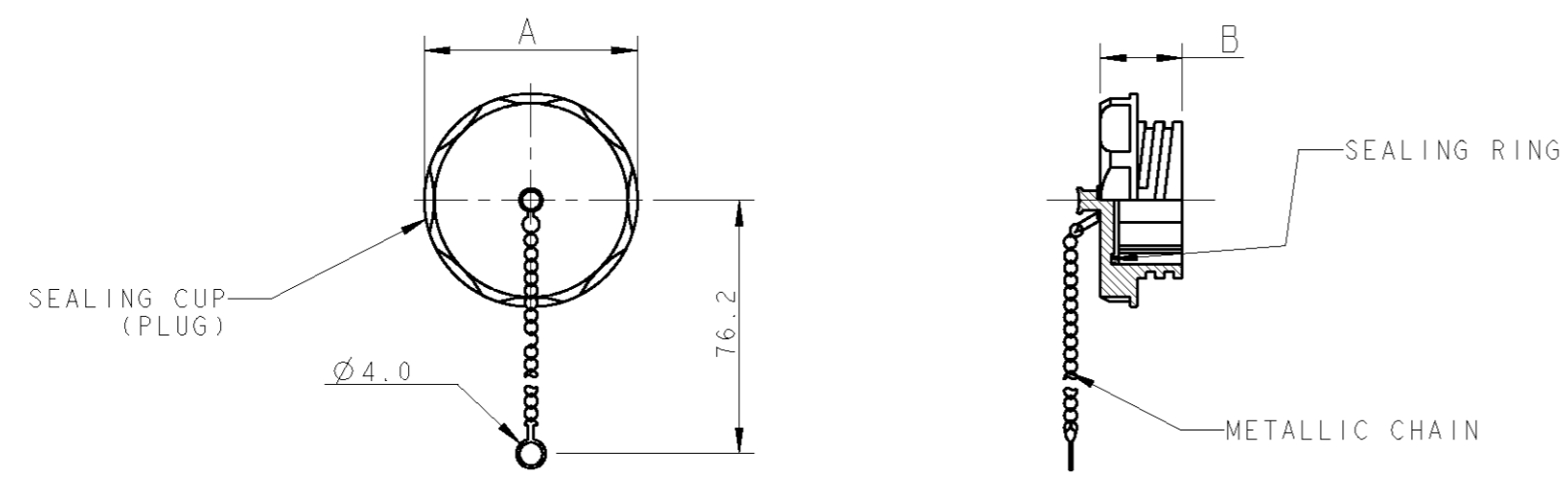
- △ PARTS SUPERSEDED BY: CPC Series 1
SEE P/NS FOR REFERENCE
- △ OBSOLETE PARTS: OBSOLETE CIS STREAMLINING
PER D.RENAUD/D.SINISI
- △ OBSOLETE

| | | | |
|---|--|----------------------------|--|
| THIS DRAWING IS A CONTROLLED DOCUMENT FOR TTD ELECTRONICS CORPORATION IT IS SUBJECT TO CHANGE AND THE CONTROLLING ENGINEERING ORGANIZATION SHOULD BE CONTACTED FOR THE LATEST REVISION. | | DWN R. FABRIS 21SEP2001 |  TE Connectivity NAME CIRCULAR PLASTIC CONNECTOR T10 SERIES PLUGS, RECEPTACLES, ACCESSORIES |
| DIMENSIONS: mm | | CHK C. TARTARI | |
| TOLERANCES UNLESS OTHERWISE SPECIFIED: 0 PLC ± 1 PLC ±0.3 2 PLC ± 3 PLC ± 4 PLC ± ANGLES ±° | | APVD - | PRODUCT SPEC - |
| MATERIAL - | | FINISH - | APPLICATION SPEC - |
| - | | WEIGHT - | RESTRICTED TO - |
| - | | CUSTOMER DRAWING | SCALE - SHEET 1 OF 5 REV C3 |

THIS DRAWING IS UNPUBLISHED. RELEASED FOR PUBLICATION 2001
 © COPYRIGHT 2001 BY - ALL RIGHTS RESERVED.

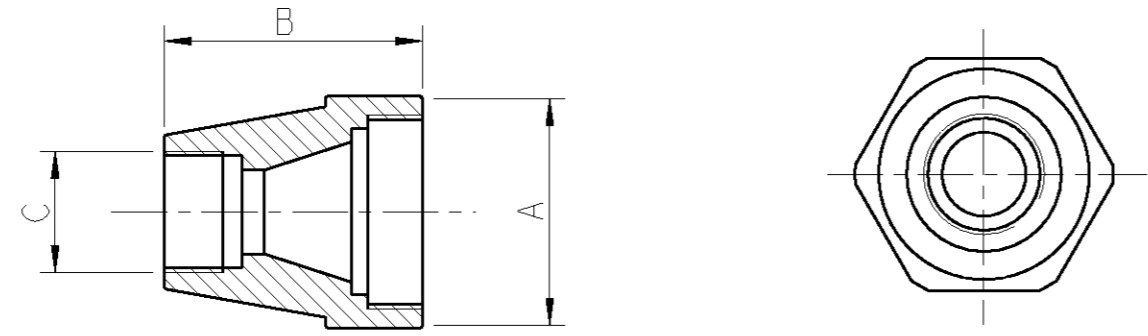
| LOC | DIST | REVISIONS | | | |
|-----|------|-------------|------|-----|------|
| P | LTR | DESCRIPTION | DATE | DWN | APVD |
| - | - | SEE SHEET 1 | - | - | - |

SEALING CAP, PLUG



| | | | | | | | |
|---|---|------|------|----|-------------------|-------------|---|
| - | - | 17.3 | 44.2 | 23 | SEALING CAP, PLUG | 9-1437723-7 | A |
|---|---|------|------|----|-------------------|-------------|---|

BACKSHELL WITH PG THREAD



| | | | | | | | |
|---|--------|------|------|----|--------------------------|--------------------------|--------------------------|
| - | PG21 | 43.0 | 40.0 | 23 | BACKSHELL WITH PG THREAD | 8-1437723-2 | A |
| - | PG16 | 43.0 | 40.0 | | BACKSHELL WITH PG THREAD | 7-1437723-9 | A |
| - | PG13.5 | 43.0 | 30.0 | 17 | BACKSHELL WITH PG THREAD | 4-1437723-7 | A |
| - | PG11 | 43.0 | 30.0 | | BACKSHELL WITH PG THREAD | 4-1437723-4 | A |
| - | PG9 | 43.0 | 21.5 | | 11 | BACKSHELL WITH PG THREAD | ³ 1-1437723-4 |

| CABLE Ø RANGE | C | B | A | SIZE | DESCRIPTION | TE P/N | REV |
|---------------|---|---|---|------|-------------|--------|-----|
|---------------|---|---|---|------|-------------|--------|-----|

THIS DRAWING IS A CONTROLLED DOCUMENT FOR TEO ELECTRONICS CORPORATION IT IS SUBJECT TO CHANGE AND THE CONTROLLING ENGINEERING ORGANIZATION SHOULD BE CONTACTED FOR THE LATEST REVISION.

DWN: R. FABRIS 21SEP2001
 CHK: C. TARTARI
 APVD: -

TE Connectivity

CIRCULAR PLASTIC CONNECTOR T10 SERIES ACCESSORIES

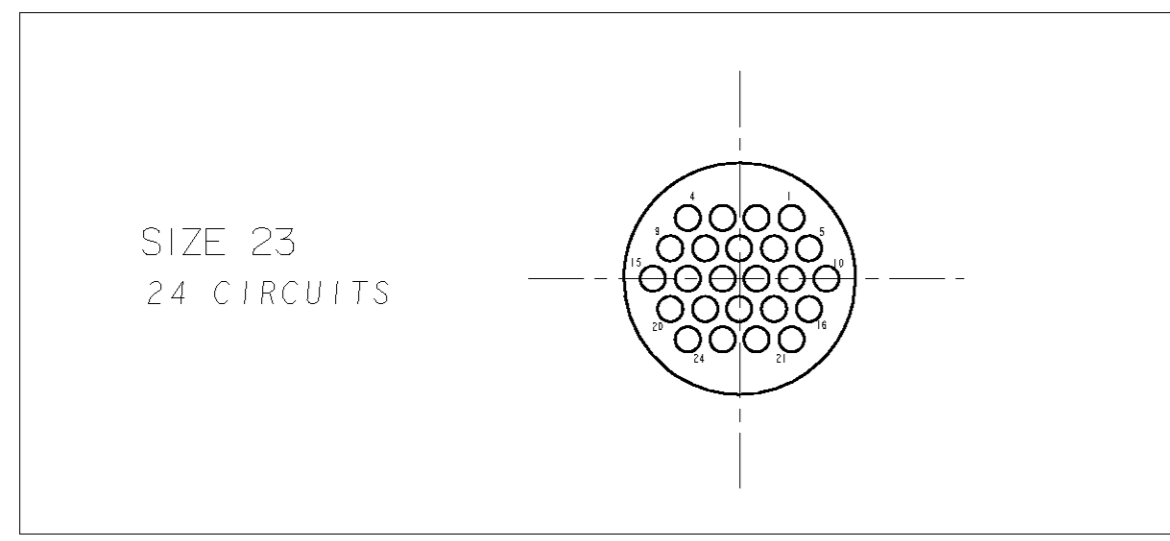
SIZE: A2 CAGE CODE: 00779 DRAWING NO: 1437723 RESTRICTED TO: -

CUSTOMER DRAWING SCALE: - SHEET 2 OF 5 REV C3

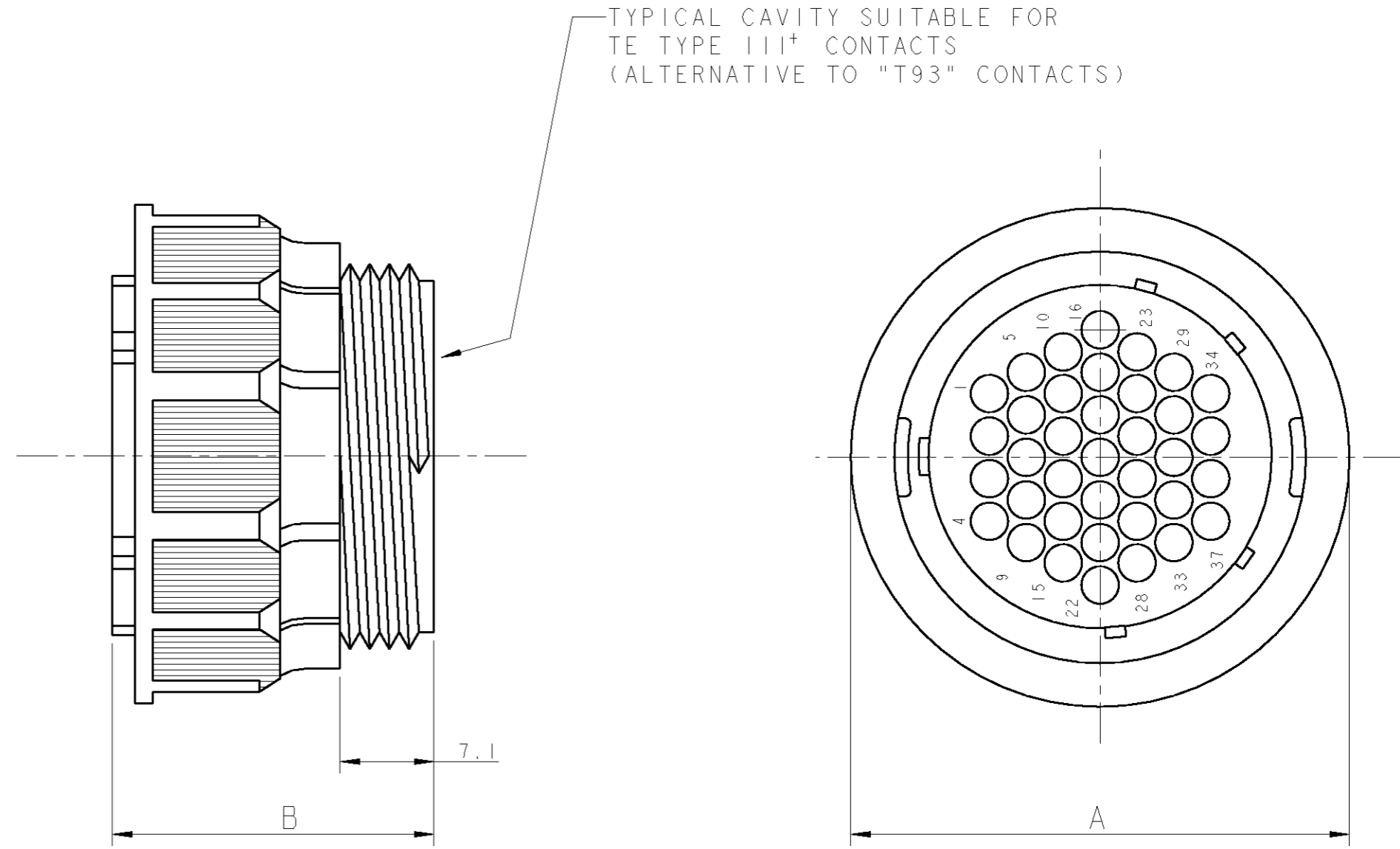
THIS DRAWING IS UNPUBLISHED. RELEASED FOR PUBLICATION 2001
 © COPYRIGHT 2001 BY - ALL RIGHTS RESERVED.

| LOC | DIST | REVISIONS | | | |
|-----|------|-------------|------|-----|------|
| P | LTR | DESCRIPTION | DATE | DWN | APVD |
| - | - | SEE SHEET 1 | - | - | - |

CIRCUIT LAYOUT (View from "X")



"X" →



| | | | | | | | | |
|-----------------------------|---------------------------|------|------|-----------------|------|----------------------------|-------------|-----|
| 0-183047-1 | 3.6 | 34.0 | 44.5 | 24 | 23 | PLUG ASS'Y FOR PIN CONTACT | 5-1437723-9 | A |
| KEYING PLUG (FOR REF. ONLY) | Ø MAX ALLOWABLE WIRE INS. | B | A | No. OF CIRCUITS | SIZE | DESCRIPTION | TE P/N | REV |

THIS DRAWING IS A CONTROLLED DOCUMENT FOR TEO ELECTRONICS CORPORATION IT IS SUBJECT TO CHANGE AND THE CONTROLLING ENGINEERING ORGANIZATION SHOULD BE CONTACTED FOR THE LATEST REVISION.

DWN: R. FABRIS 21SEP2001
 CHK: C. TARTARI
 APVD: -

TE Connectivity

CIRCULAR PLASTIC CONNECTOR T10 SERIES PLUG ASS'Y

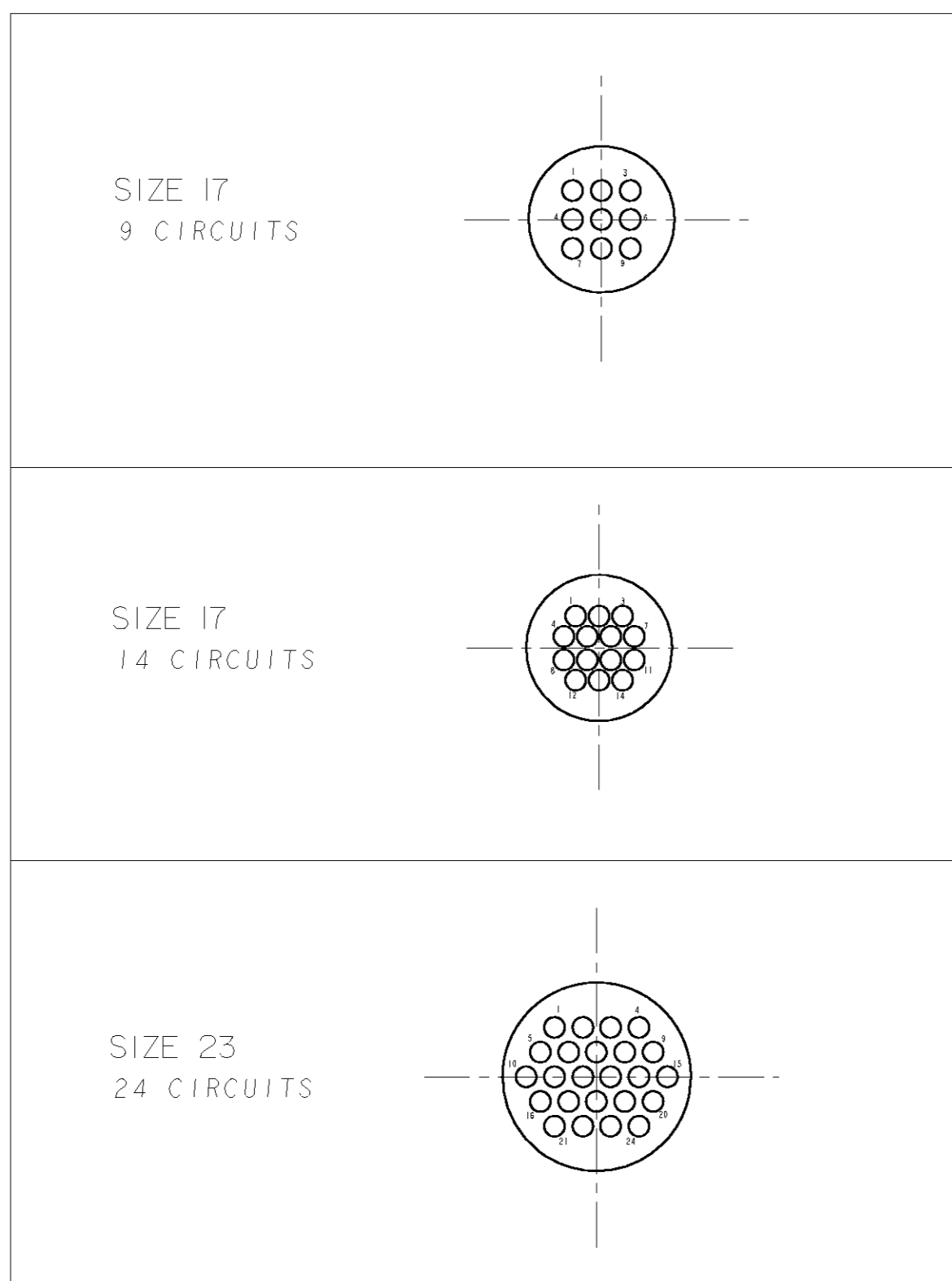
SIZE: A2 CAGE CODE: 00779 DRAWING NO: 1437723 RESTRICTED TO: -

CUSTOMER DRAWING SCALE: - SHEET 3 OF 5 REV C3

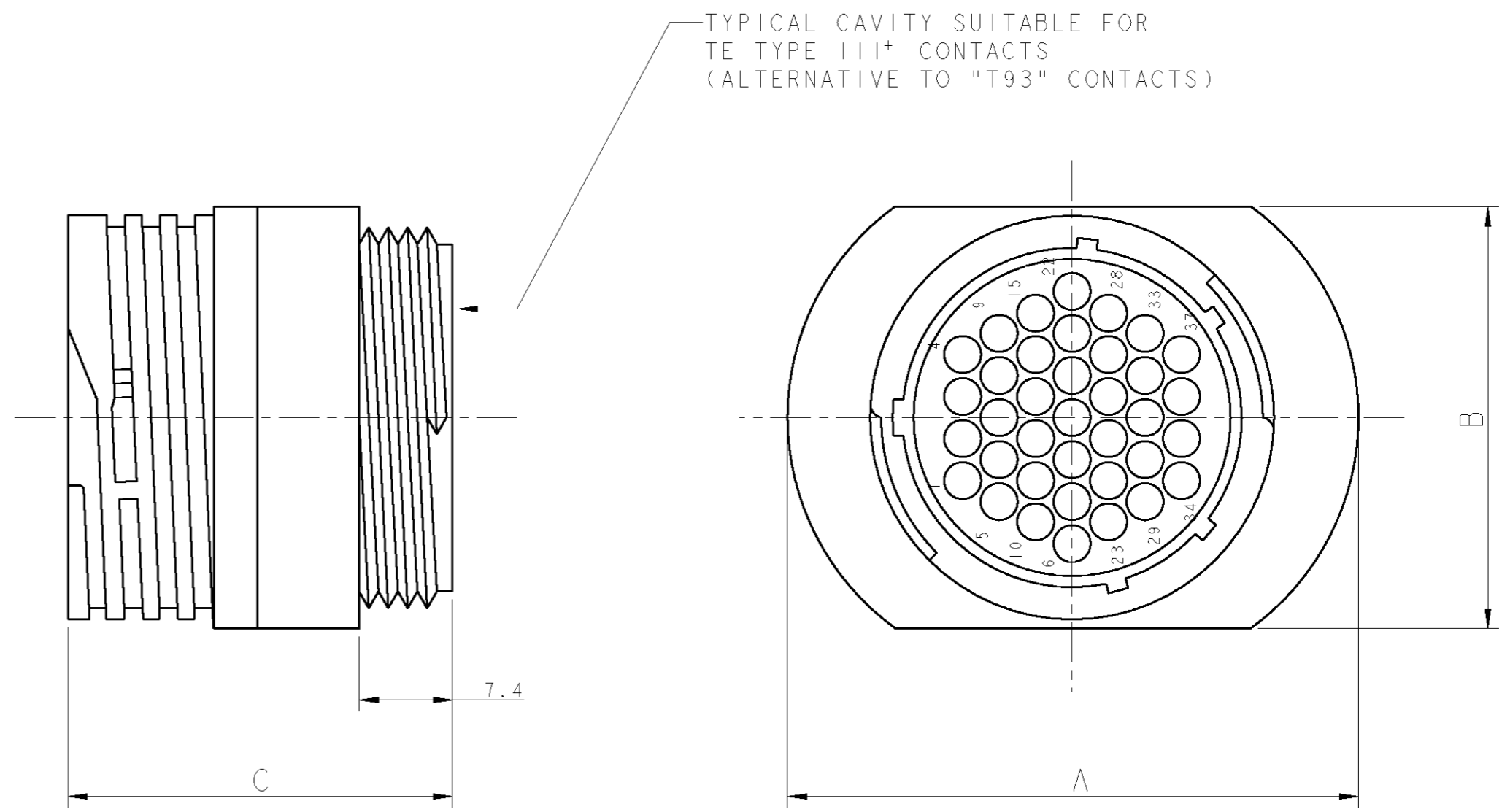
THIS DRAWING IS UNPUBLISHED. RELEASED FOR PUBLICATION 2001
 © COPYRIGHT 2001 BY - ALL RIGHTS RESERVED.

| LOC | DIST | REVISIONS | | | |
|-----|------|-------------|------|-----|------|
| P | LTR | DESCRIPTION | DATE | DWN | APVD |
| - | - | SEE SHEET 1 | - | - | - |

CIRCUIT LAYOUT (View from "X")



"X" →



| 0-183046-1 | 3.6 | 26.9 | 37.8 | 43.9 | 24 | 23 | RECEPTACLE ASS'Y FOR SOCKET CONTACT | 3-1437723-0 | A |
|-----------------------------|---------------------------|------|------|------|-----------------|------|-------------------------------------|-------------|-----|
| 0-183047-1 | 2.8 | 33.8 | 29.5 | 33.3 | 14 | 17 | RECEPTACLE ASS'Y FOR PIN CONTACT | 3-1437723-2 | A |
| | 3.6 | 33.8 | 29.5 | 33.3 | 9 | 17 | RECEPTACLE ASS'Y FOR PIN CONTACT | 3-1437723-1 | A |
| KEYING PLUG (FOR REF. ONLY) | Ø MAX ALLOWABLE WIRE INS. | C | B | A | No. OF CIRCUITS | SIZE | DESCRIPTION | TE P/N | REV |

THIS DRAWING IS A CONTROLLED DOCUMENT FOR TEO ELECTRONICS CORPORATION. IT IS SUBJECT TO CHANGE AND THE CONTROLLING ENGINEERING ORGANIZATION SHOULD BE CONTACTED FOR THE LATEST REVISION.

DWN: R. FABRIS 21SEP2001
 CHK: C. TARTARI
 APVD: -

TE TE Connectivity

NAME: CIRCULAR PLASTIC CONNECTOR T10 SERIES RECEPTACLE ASS'Y

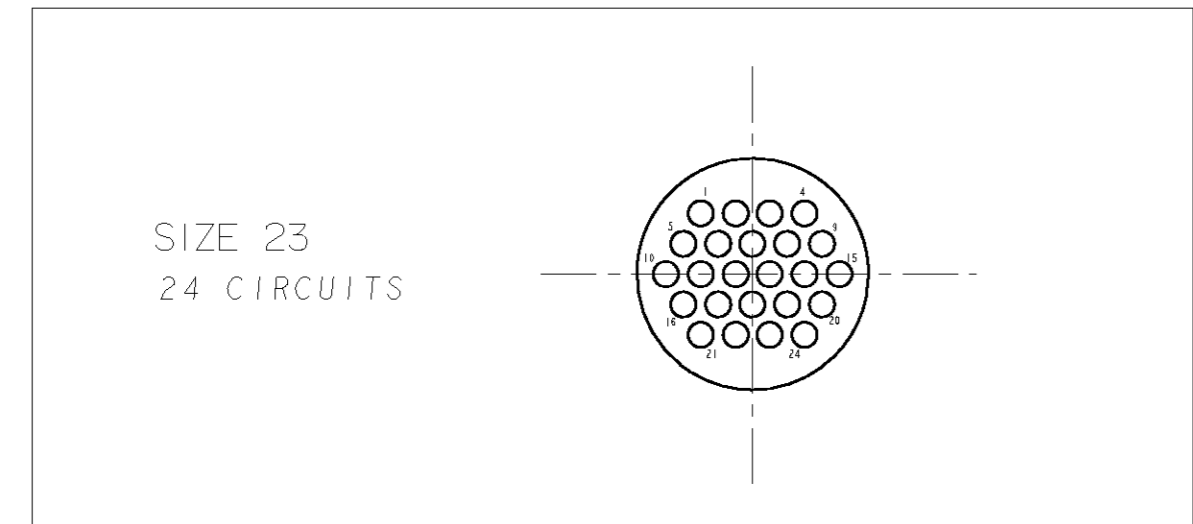
SIZE: A2 CAGE CODE: 00779 DRAWING NO: 1437723 RESTRICTED TO: -

CUSTOMER DRAWING SCALE: - SHEET 4 OF 5 REV C3

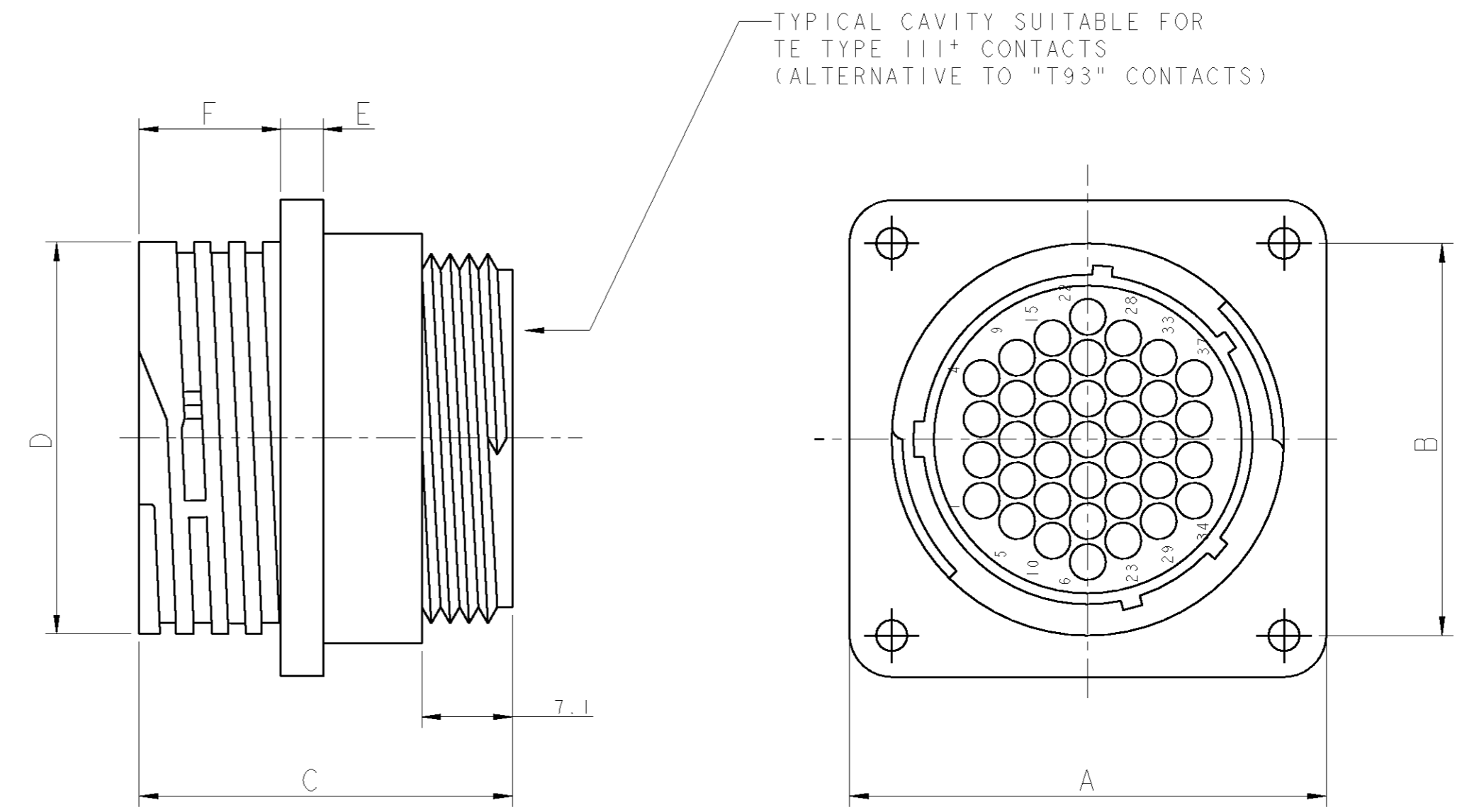
THIS DRAWING IS UNPUBLISHED. RELEASED FOR PUBLICATION 2001
 © COPYRIGHT 2001 BY - ALL RIGHTS RESERVED.

| LOC | DIST | REVISIONS | | | |
|-----|------|-------------|------|-----|------|
| P | LTR | DESCRIPTION | DATE | DWN | APVD |
| - | - | SEE SHEET 1 | - | - | - |

CIRCUIT LAYOUT (View from "X")



"X" →



| | | | | | | | | | | | | | |
|-----------------------------|---------------------------|------|-----|------|------|------|------|-----------------|-----------------|------|---|-------------|-----|
| 0-183046-1 | 3.6 | 13.5 | 4.1 | 36.3 | 26.9 | 36.6 | 44.5 | 38.6 | 24 | 23 | PANEL MOUNT RECEPTACLE ASS'Y FOR SOCKET CONTACT | 7-1437723-4 | A |
| KEYING PLUG (FOR REF. ONLY) | Ø MAX ALLOWABLE WIRE INS. | F | E | D | C | B | A | PANEL CUT OUT Ø | No. OF CIRCUITS | SIZE | DESCRIPTION | TE P/N | REV |

THIS DRAWING IS A CONTROLLED DOCUMENT FOR TEO ELECTRONICS CORPORATION IT IS SUBJECT TO CHANGE AND THE CONTROLLING ENGINEERING ORGANIZATION SHOULD BE CONTACTED FOR THE LATEST REVISION.

DWN: R. FABRIS 21SEP2001
 CHK: C. TARTARI
 APVD: -

TE TE Connectivity

NAME: CIRCULAR PLASTIC CONNECTOR T10 SERIES PANEL MOUNT RECEPTACLE ASS'Y

SIZE: A2 CAGE CODE: 00779 DRAWING NO: 1437723 RESTRICTED TO: -

CUSTOMER DRAWING SCALE: - SHEET 5 OF 5 REV C3

单击下面可查看定价，库存，交付和生命周期等信息

[>>TE Connectivity\(泰科\)](#)