

4

3

2

1

THIS DRAWING IS UNPUBLISHED.

RELEASED FOR PUBLICATION

20

© COPYRIGHT 20 BY -

ALL RIGHTS RESERVED.

REVISIONS

P	LTR	DESCRIPTION	DATE	DWN	APVD
B2		ECR-16-009730	06JUL2016	BS	CW
B3		ECR-16-018198	10FEB2017	QY	CW
B4		ECR-18-016602	08NOV2018	CH	CW
C		ECR-21-117384	09NOV2021	WQR	CW

M3 SCREW, RECOMMENDED
TIGHTENING TORQUE 0.2Nm
M3螺丝, 推荐锁紧力矩0.2Nm

M3 SCREW, RECOMMENDED
TIGHTENING TORQUE 0.2Nm
M3螺丝, 推荐锁紧力矩0.2Nm

NOTES:

- TECHNICAL CHARACTERISTICS:
INSULATION MATERIAL: PC
RATED VOLTAGE: 400V
RATED CURRENT: 16A
INSULATION RESISTANCE: $\geq 400M\Omega$
RATED IMPULSE VOLTAGE: 4KV
POLLUTION DEGREE: 3
FLAMMABILITY: UL94V-0
MATING CYCLES: 500 CYCLES
WIRE RANGE: 0.14-4.0mm² (26-12AWG)
CONTACT TYPE: CRIMP CONTACT
- CONTACT NEED TO BE ORDERED SEPARATELY.
(ORDER No. REFER TO DRAWING: T20300X10XX000)


注释:

- 技术参数:
绝缘材料: PC
额定电压: 400V
额定电流: 16A
绝缘电阻: $\geq 400M\Omega$
额定脉冲电压: 4KV
污染等级: 3
阻燃等级: UL94V-0
插拔次数: 500次
接线范围: 0.14-4.0mm² (26-12AWG)
接线类型: 冷压接
- 端子需要单独订购。
(订货号参考图面: T20300X10XX000)

TYPE-1: T2080052101-000, TE LOGO
类型-1: T2080052101-000, TE LOGO

TYPE-2: T2080052101-001, STAINLESS STEEL SCREW, TE LOGO
类型-2: T2080052101-001, 不锈钢螺丝, TE LOGO

GROUNDING CONTACT TYPE: SCREW CONTACT
GROUNDING CONTACT FINISH: SILVER PLATED
WIRE RANGE: 2.5mm (AWG14)
接地端子类型: 螺丝连接端子 / 接地端子表面处理: 镀银 / 接线范围: 2.5mm² (AWG14)

THIS DRAWING IS A CONTROLLED DOCUMENT.		DWN	10JAN2015	 TE Connectivity	
DIMENSIONS:		DAVID.WANG	10JAN2015		
mm		CHK	10JAN2015		
TOLERANCES UNLESS OTHERWISE SPECIFIED:		CHRIS.WANG	10JAN2015		
0 PLC ±-		APVD	10JAN2015	NAME	
1 PLC ±-		XIANG_XU		HQ-005-M	
2 PLC ±-		PRODUCT SPEC		108-137054	
3 PLC ±-		APPLICATION SPEC		114-137054	
4 PLC ±-		WEIGHT		-	
ANGLES ±-		SIZE		A3	
FINISH		CAGE CODE		00779	
-		DRAWING NO		G-T2080052101000	
-		RESTRICTED TO		-	
-		Customer Drawing		SCALE 2:1 SHEET 1 OF 2 REV C	

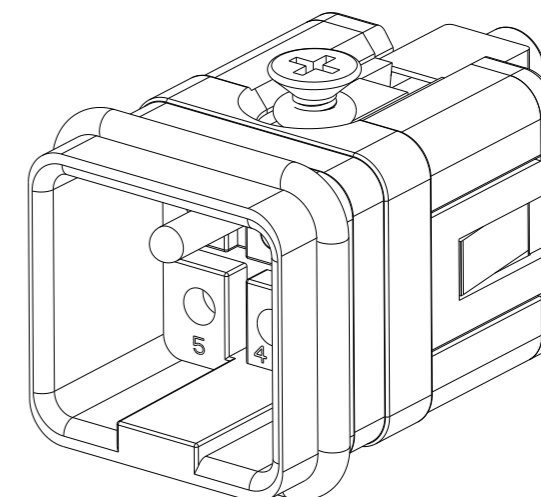
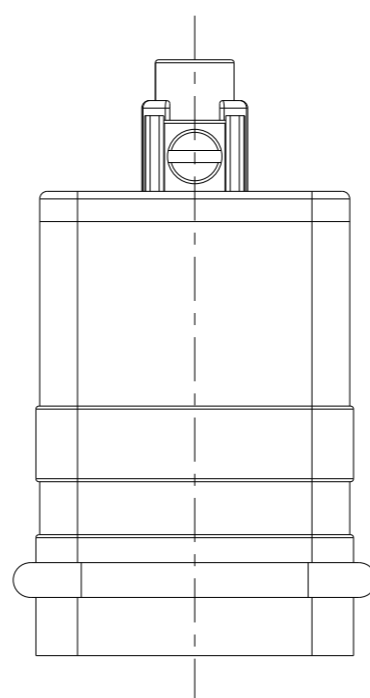
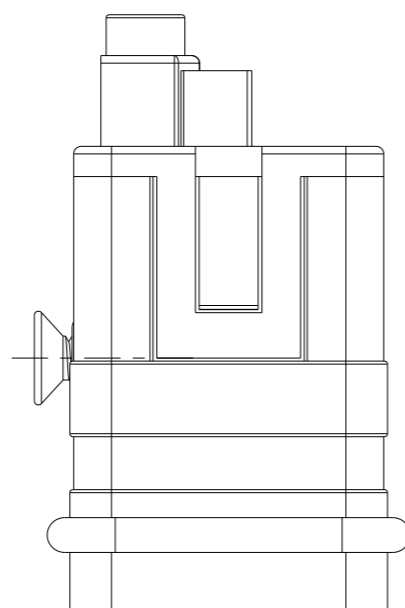
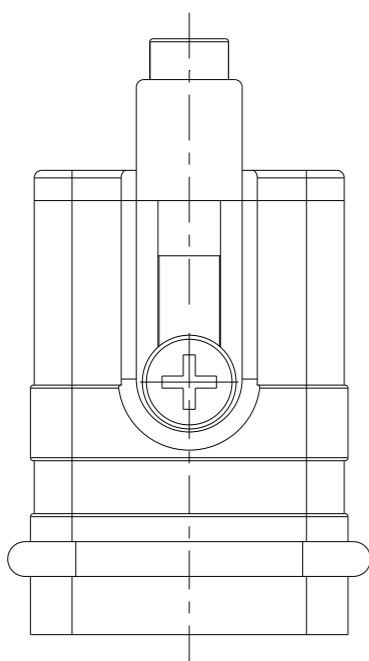
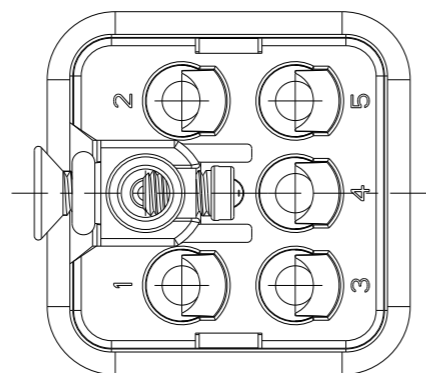
1470-19 (3/13)

Downloaded From Onevac.com

REVISIONS

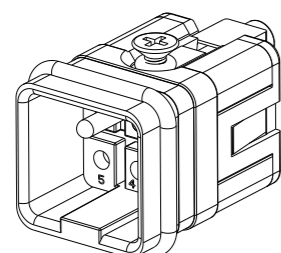
P	LTR	DESCRIPTION	DATE	DWN	APVD
-	-	SEE SHEET 1	-	-	-

NOTES:
SEE SHEET 1



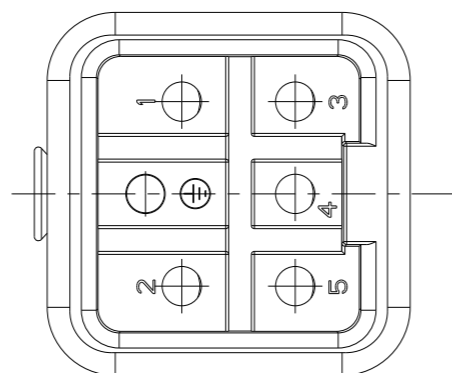
TYPE-4: T2080052101-003, THIS TYPE IS SAME AS TYPE-1, ONLY DIFFERENT MALE GROUNDING CONTACT.
 类型-4: T2080052101-003, 此类型同类型-1, 只是公接地针不同.

ALL DIMENSIONS ARE SAME AS TYPE-1, EXCEPT THOSE DEFINED IN THIS TYPE.
 除了在本类型中定义的尺寸外, 其它尺寸同类型-1



SCALE 1:1

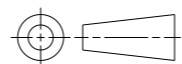
TYPE-3: T2080052101-002, STAINLESS STEEL SCREW, NO LOGO
 类型-3: T2080052101-002, 不锈钢螺丝, 无LOGO



T2080052101-003	HQ-005-M	HQ-005 MALE INSERT HQ-005 公插	TYPE-4 类型-4
T2080052101-002	HQ-005-M	HQ-005 MALE INSERT, STAINLESS STEEL SCREW, NO LOGO HQ-005 公插, 不锈钢螺丝, 无LOGO	TYPE-3 类型-3
T2080052101-001	HQ-005-M	HQ-005 MALE INSERT, STAINLESS STEEL SCREW HQ-005 公插, 不锈钢螺丝	TYPE-2 类型-2
T2080052101-000	HQ-005-M	HQ-005 MALE INSERT HQ-005 公插	TYPE-1 类型-1
PART NUMBER 料号	PART DESCRIPTION 描述		TYPE 类型

THIS DRAWING IS A CONTROLLED DOCUMENT.

DIMENSIONS:
mm



TOLERANCES UNLESS OTHERWISE SPECIFIED:

0 PLC ±-
 1 PLC ±-
 2 PLC ±-
 3 PLC ±-
 4 PLC ±-
 ANGLES ±-
 FINISH -

MATERIAL

-

DWN 10 JAN 2015

DAVID.WANG

CHK 10 JAN 2015

CHRIS.WANG

APVD 10 JAN 2015

XIANG.XU

PRODUCT SPEC

108-137054

APPLICATION SPEC

114-137054

WEIGHT

-

Customer Drawing

NAME
HQ-005-M



TE Connectivity

SIZE A3 CAGE CODE 00779 DRAWING NO. C-T2080052101000 RESTRICTED TO -

SCALE 2:1 SHEET 2 OF 2 REV C

单击下面可查看定价，库存，交付和生命周期等信息

[>>TE Connectivity\(泰科\)](#)