

THIS DRAWING IS UNPUBLISHED.

RELEASED FOR PUBLICATION

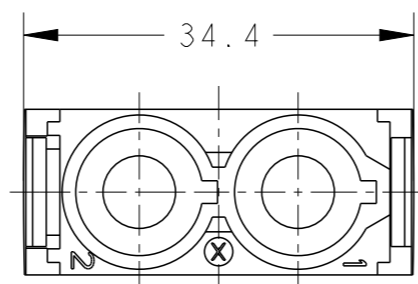
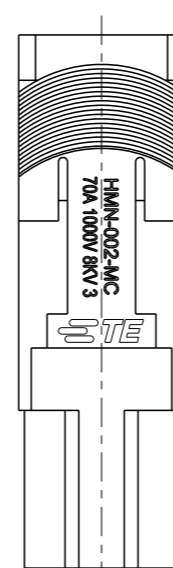
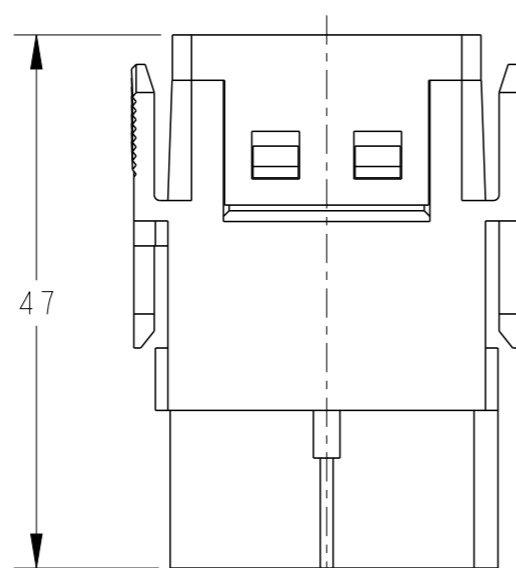
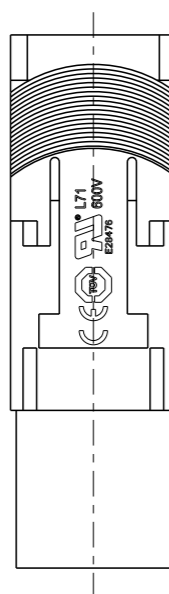
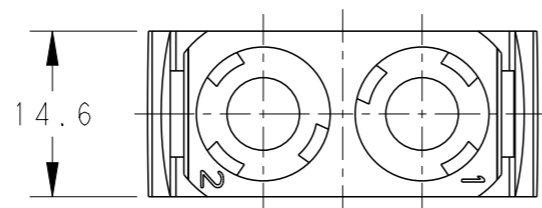
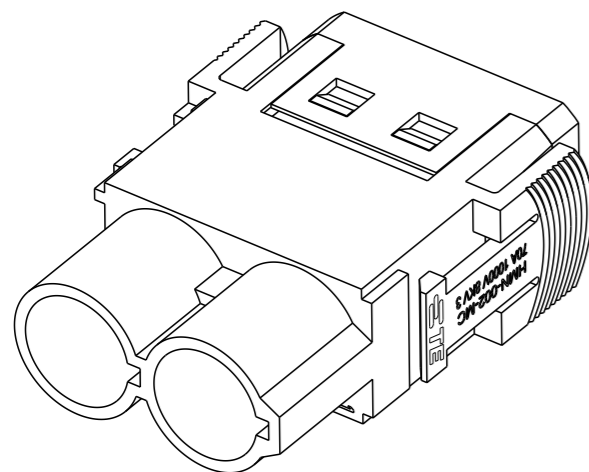
20

© COPYRIGHT 20 BY -

ALL RIGHTS RESERVED.

REVISIONS

P	LTR	DESCRIPTION	DATE	DWN	APVD
B1		ECR-16-018198	27DEC2016	QY	CW
C		ECR-21-111798	22SEP2021	WQR	CW
D		ECR-22-158463	05JAN2023	BS	CW
E		ECR-23-168984	21MAR2023	BS	CW



TYPE-1:T2111020101-000 TE LOGO  
 类型-1:T2111020101-000 TE LOGO

NOTES:

- TECHNICAL CHARACTERISTICS:  
 INSULATION MATERIAL: PC  
 RATED VOLTAGE: 1000V  
 RATED CURRENT: 70A  
 INSULATION RESISTANCE:  $\geq 400M\Omega$   
 RATED IMPULSE VOLTAGE: 8KV  
 POLLUTION DEGREE: 3  
 FLAMMABILITY: UL94V-0  
 MATING CYCLES: 500 CYCLES  
 WIRE RANGE: 10~25 mm<sup>2</sup>  
 CONTACT TYPE: CRIMP CONTACT
- CONTACT NEED TO BE ORDERED SEPARATELY.  
 (ORDER No. REFER TO DRAWING:T2400001XX0000)

注释:

- 技术参数:  
 绝缘材料: PC  
 额定电压: 1000V  
 额定电流: 70A  
 绝缘电阻:  $\geq 400M\Omega$   
 额定脉冲电压: 8KV  
 污染等级: 3  
 阻燃等级: UL94V-0  
 插拔次数: 500次  
 接线范围: 10~25 mm<sup>2</sup>  
 接线类型: 冷压接
- 端子需要单独订购。  
 (订货号参考图面: T2400001XX0000)

THIS DRAWING IS A CONTROLLED DOCUMENT.

DIMENSIONS:	TOLERANCES UNLESS OTHERWISE SPECIFIED:
mm	
	0 PLC ±-
	1 PLC ±-
	2 PLC ±-
	3 PLC ±-
	4 PLC ±-
	ANGLES ±-
MATERIAL	FINISH
-	-
-	-

DWN	17APR2015
David Wang	
CHK	17APR2015
Chris Wang	
APVD	17APR2015
Xiang Xu	
PRODUCT SPEC	108-137059
APPLICATION SPEC	114-137059
WEIGHT	-
Customer Drawing	



NAME		HMN-002-MC	
SIZE	CAGE CODE	DRAWING NO	RESTRICTED TO
A3	00779	T2111020101000	-
SCALE	SHEET	OF	REV
3:2	1	2	E

THIS DRAWING IS UNPUBLISHED.

RELEASED FOR PUBLICATION

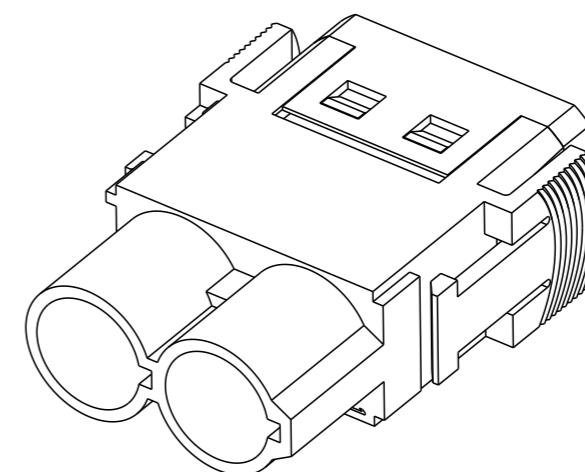
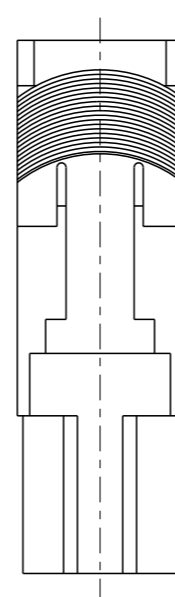
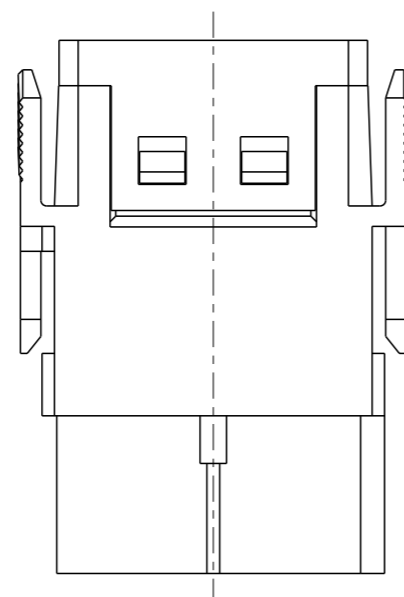
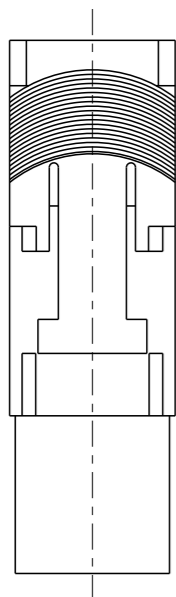
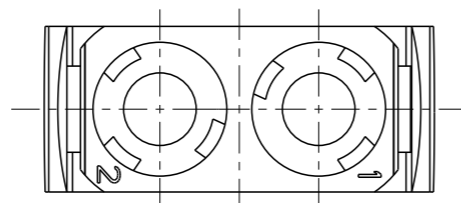
20

© COPYRIGHT 20 BY -

ALL RIGHTS RESERVED.

REVISIONS

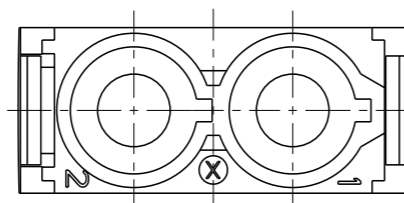
P	LTR	DESCRIPTION	DATE	DWN	APVD
	-	SEE SHEET 1	-	-	-



NOTES:  
SEE SHEET 1  
注释:  
见页 1

TYPE-2:T2111020101-001 NO LOGO  
类型-2:T2111020101-001 无LOGO

ALL DIMENSIONS ARE SAME AS TYPE 1,  
EXCEPT THOSE DEFINED IN THIS TYPE.  
除了在本类型中定义的尺寸外,其它尺寸同类型 1



T2111020101-001	HMN-002-MC	HMN-002 MALE MODULE INSERT, CRIMPING, NO LOGO HMN-002冷压型模块公插, 无LOGO	TYPE-2 类型-2
T2111020101-000	HMN-002-MC	HMN-002 MALE MODULE INSERT, CRIMPING HMN-002冷压型模块公插	TYPE-1 类型-1
PART NUMBER 料号	PART DESCRIPTION 描述		TYPE 类型

THIS DRAWING IS A CONTROLLED DOCUMENT.

DWN 17APR2015

David Wang

CHK 17APR2015

Chris Wang

APVD 17APR2015

Xiang Xu

PRODUCT SPEC

108-137059

APPLICATION SPEC

114-137059

WEIGHT

-

NAME

HMN-002-MC

SIZE

CAGE CODE

DRAWING NO

A3

00779

©-T2111020101000

RESTRICTED TO

-

Customer Drawing

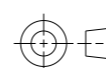
SCALE 3:2

SHEET 2 OF 2

REV E

DIMENSIONS:

mm



TOLERANCES UNLESS OTHERWISE SPECIFIED:

- 0 PLC ±-
- 1 PLC ±-
- 2 PLC ±-
- 3 PLC ±-
- 4 PLC ±-
- ANGLES ±-

MATERIAL

-

FINISH

-

单击下面可查看定价，库存，交付和生命周期等信息

[>>TE Connectivity\(泰科\)](#)