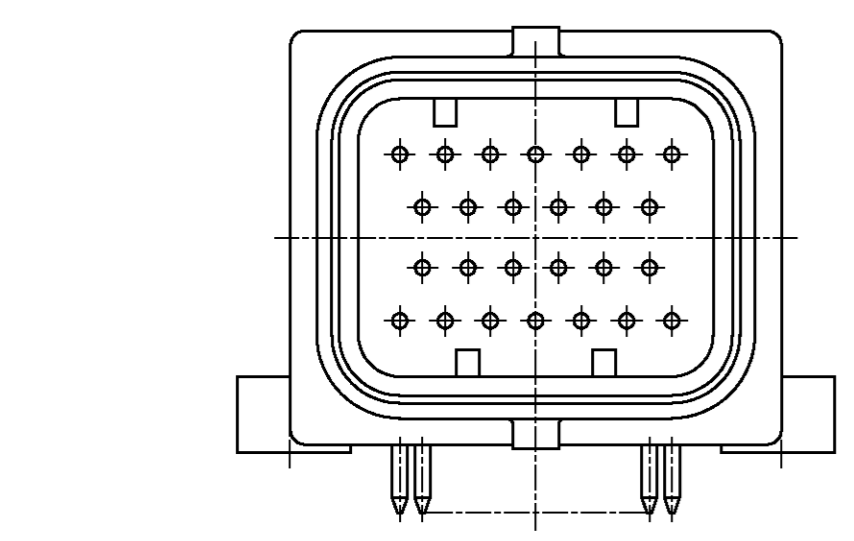
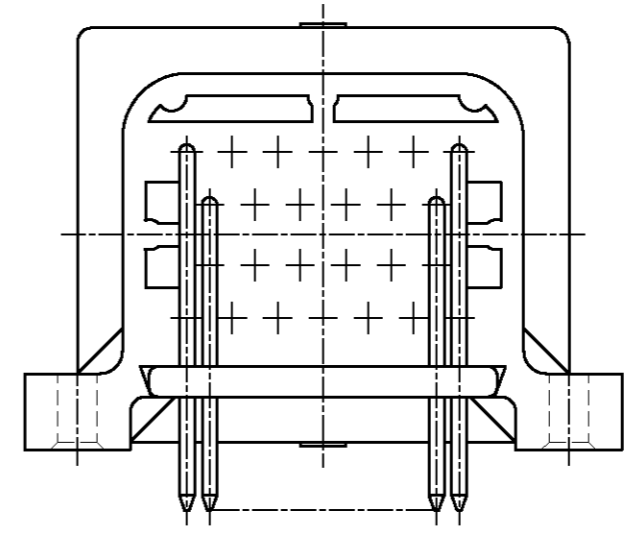
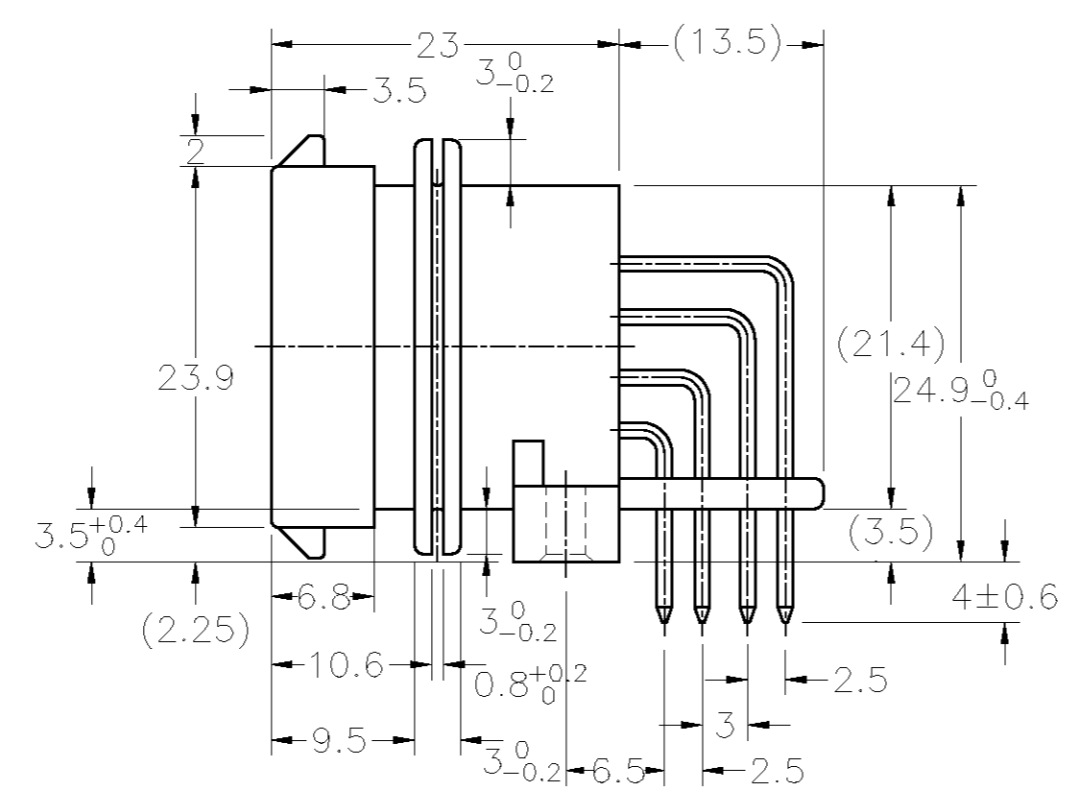
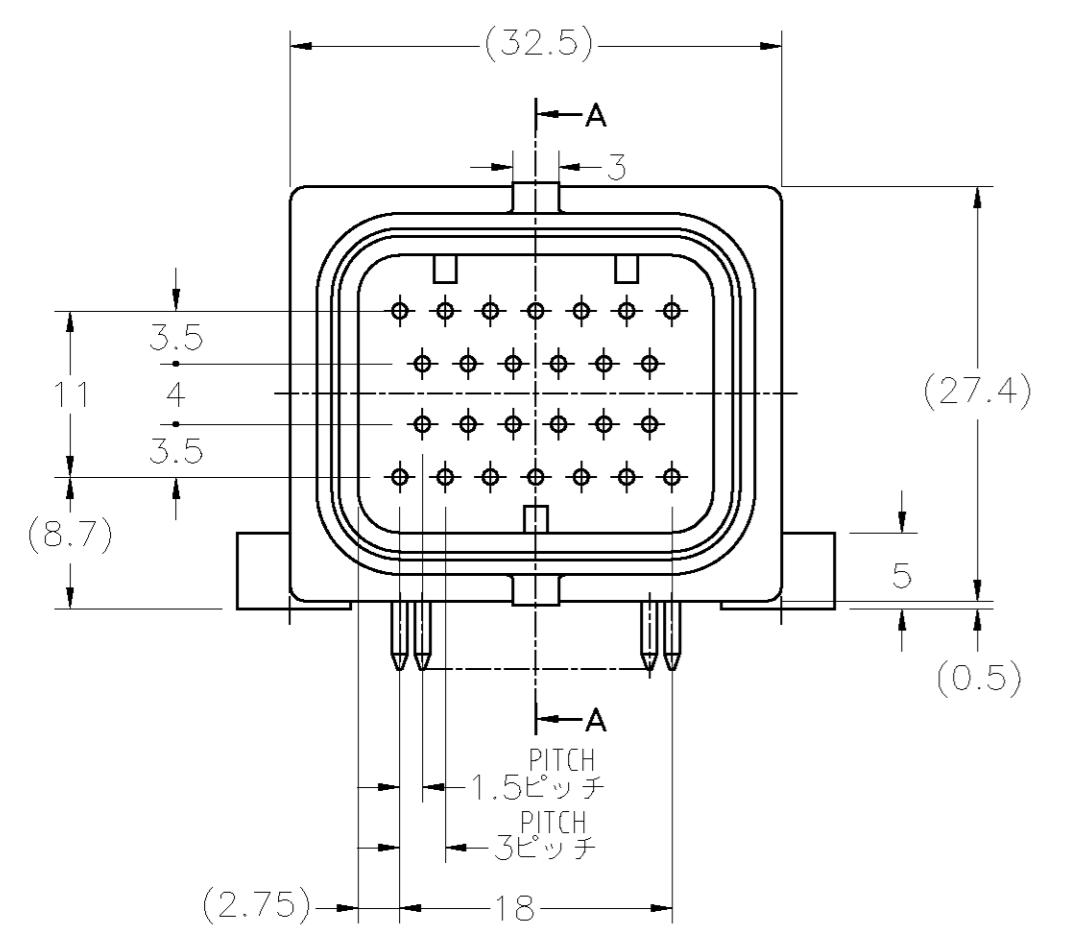
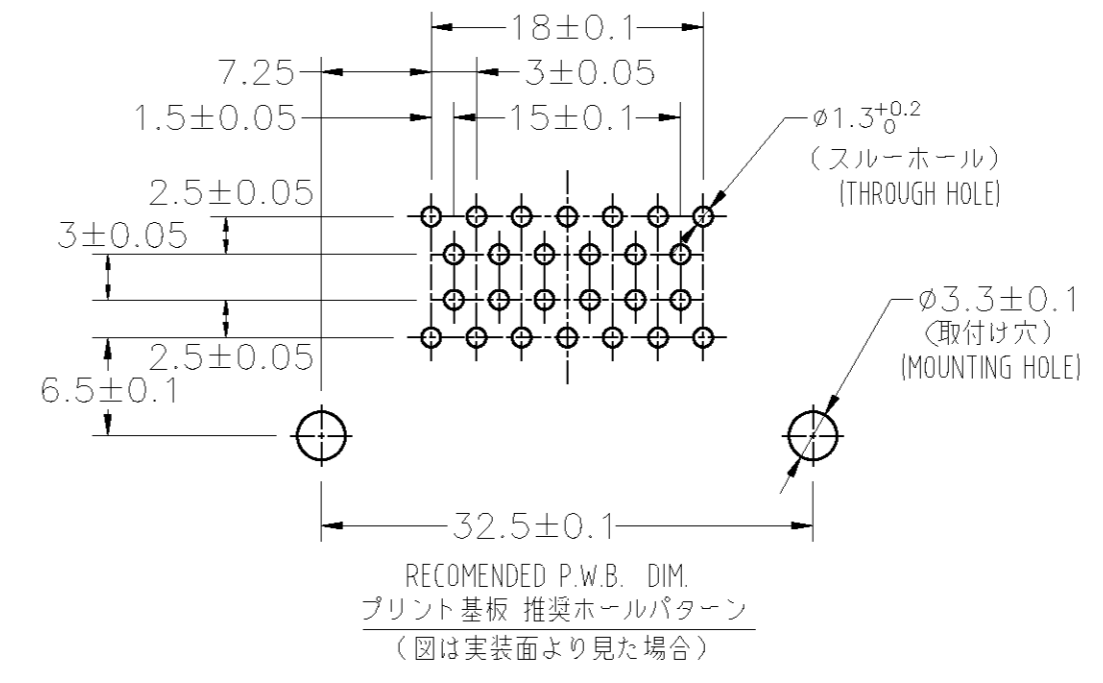
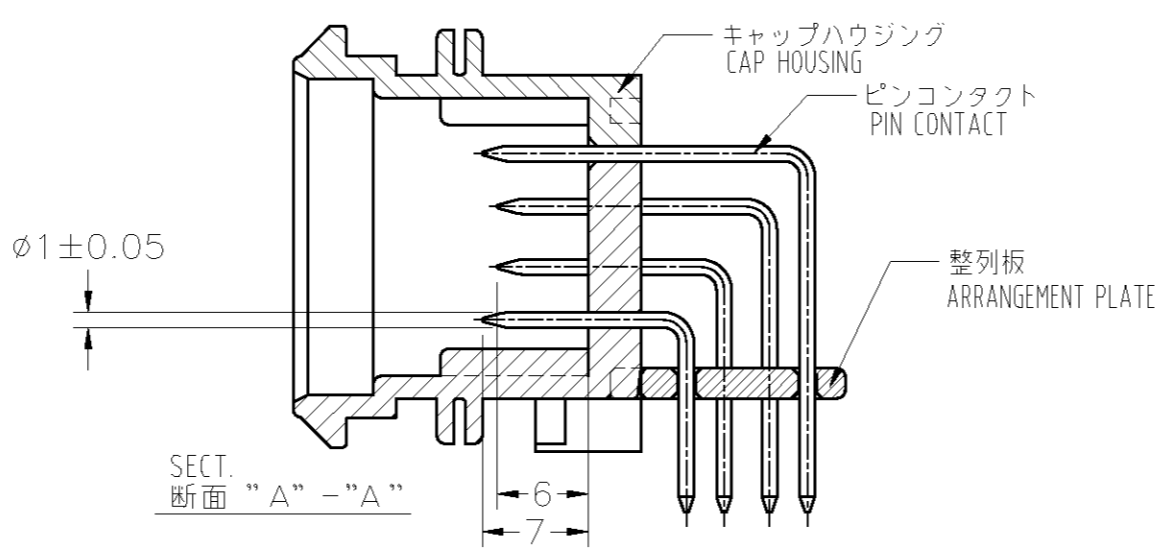
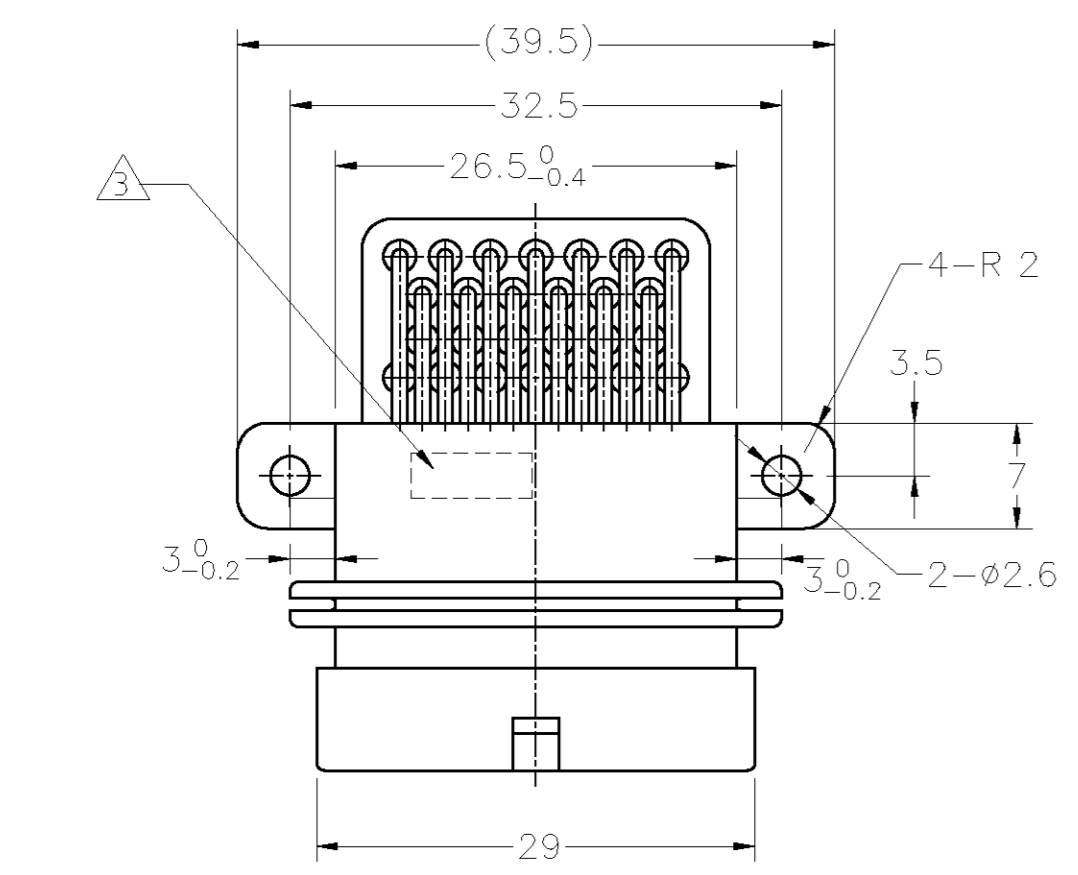


THIS DRAWING IS UNPUBLISHED. RELEASED FOR PUBLICATION
 © COPYRIGHT BY TYCO ELECTRONICS CORPORATION. ALL RIGHTS RESERVED.

| LOC | | DIST | | REVISIONS | | | |
|-----|---|------|---------|---------------|---------|-----|------|
| J | - | P | LTR | DESCRIPTION | DATE | DWN | APVD |
| | | A | REVISED | ECR-09-008889 | 20APR09 | TS | KB |



2-1437285-9 (旧型番; 3900136-2612)
 2-6437285-9 (旧型番; -)

- 注 1. 一般公差: ±0.3
- ② 材質 キャップハウジング: 熱可塑性ポリエステル樹脂
 整列板: 熱可塑性ポリエステル樹脂
 ピンコンタクト: 黄銅/ニッケル下地, 金めっき (接点部)
 はんだめっき (基板側)
- ③ 当箇所製造日管理番号 (ロット番号) を印字する。
4. 基板取付け推奨ねじ
 JIS B 1122 十字穴付きタッピンねじ なべ2種 3×L (L=6.5+基板厚)
 先端満付き及び満無し (亜鉛メッキ)
 上記以外のねじを使用の場合、別途打ち合わせの事。
- ⑤ 材質 キャップハウジング: 熱可塑性ポリエステル樹脂
 整列板: 熱可塑性ポリエステル樹脂
 ピンコンタクト: 黄銅/ニッケル下地, 金めっき (接点部)
 すずめっき (基板側)
6. 嵌合相手型番: TABLE-1 参照

| | |
|-------------|----------------------|
| 2-6437285-9 | 1-1447232-7 |
| 2-1437285-9 | |
| 2-6437285-8 | 2-1437285-2 |
| 2-1437285-8 | |
| PART NUMBER | MATING PLUG ASSEMBLY |

TABLE-1

- NOTE: 1. GENERAL TOLERANCE: ±0.3
- ② MATERIAL
 CAP HOUSING: POLYESTER
 ARRANGEMENT PLATE: POLYESTER
 PIN CONTACT: BRASS GOLD PLATING OVER Ni PLATING (CONTACT PART)
 BRASS TIN-LEAD PLATING OVER Ni PLATING (SOLDERING PART)
- ③ MANUFACTURED DATE CONTROL NO.(LOT NO.)
 AS FOLLOWING IS INDICATED.
4. MOUNTING SCREW
 JIS B 1122 CROSS RECESSED PAN HEAD TAPPING SCREW (ZINC PLATING)
 TYPE 2 3xL (L=6.5xBOARD THICKNESS)
- ⑤ MATERIAL
 CAP HOUSING: POLYESTER
 ARRANGEMENT PLATE: POLYESTER
 PIN CONTACT: BRASS GOLD PLATING OVER Ni PLATING (CONTACT PART)
 BRASS TIN PLATING OVER Ni PLATING (SOLDERING PART)
6. PART NUMBER OF PLUG ASSEMBLY TO BE MATED: SEE TABLE-1

| | | | | |
|----------|----------------|---|---------------------|--------------|
| | 2-6437285-9 | ⑤ | - | - |
| | 2-6437285-8 | ⑤ | - | 本 図 |
| OBSOLETE | 2-1437285-9 | ② | 3900136-2612 | - |
| OBSOLETE | 2-1437285-8 | ② | 3900136-2611 | 本 図 |
| | Part No. 型番 | | Old Part No. 旧型番 | REMARK 備考 |

THIS DRAWING IS A CONTROLLED DOCUMENT.

DWN (A.ISHIJIMA) 100CT00
 CHK K.SHINADA 100CT00
 APVD K.SHINADA 100CT00
 NAME 名称
 PRODUCT SPEC 製品規格
 APPLICATION SPEC 取付適用規格

Tyco Electronics Corporation
 Kawasaki, Japan

SUPER SEAL CONNECTOR
 CAP HOUSING ASS'Y 26P (DOUBLE LOCK)

SIZE A2 CAGE CODE 00779 DRAWING NO. 2-1437285-8
 WEIGHT -

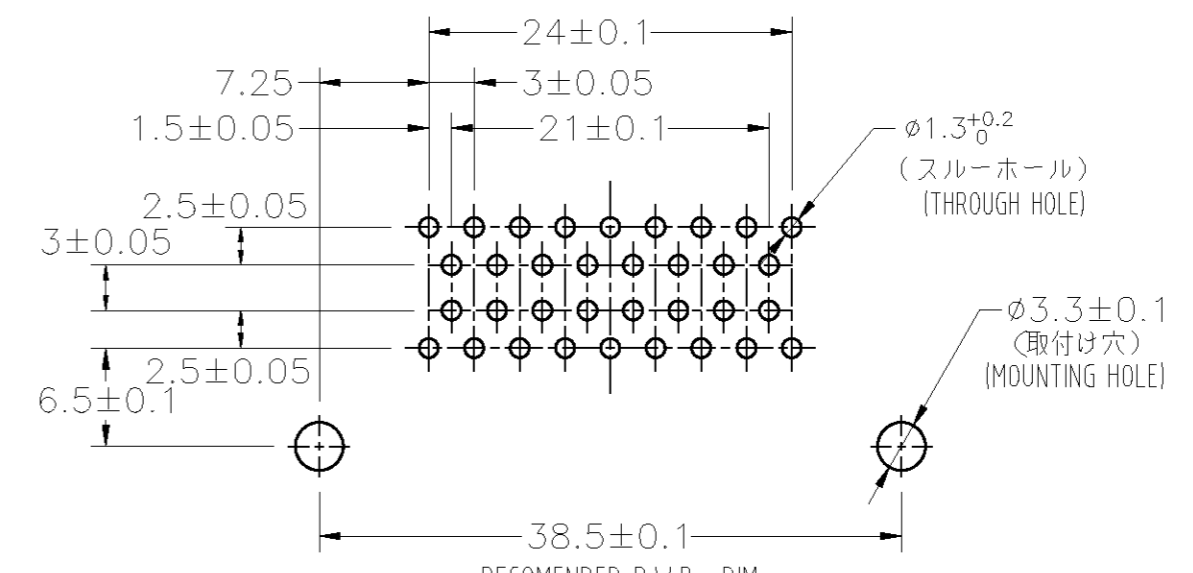
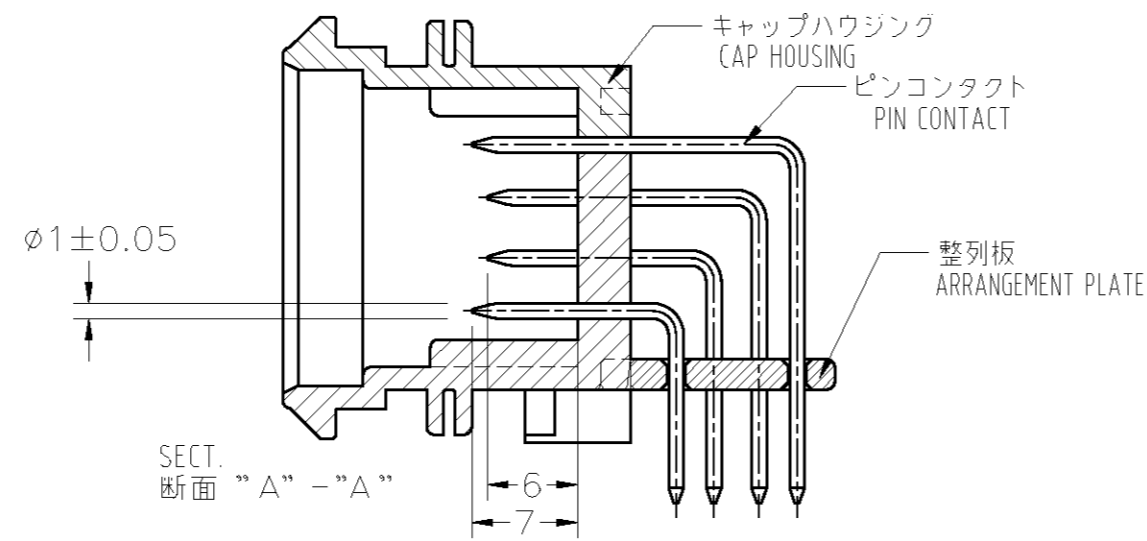
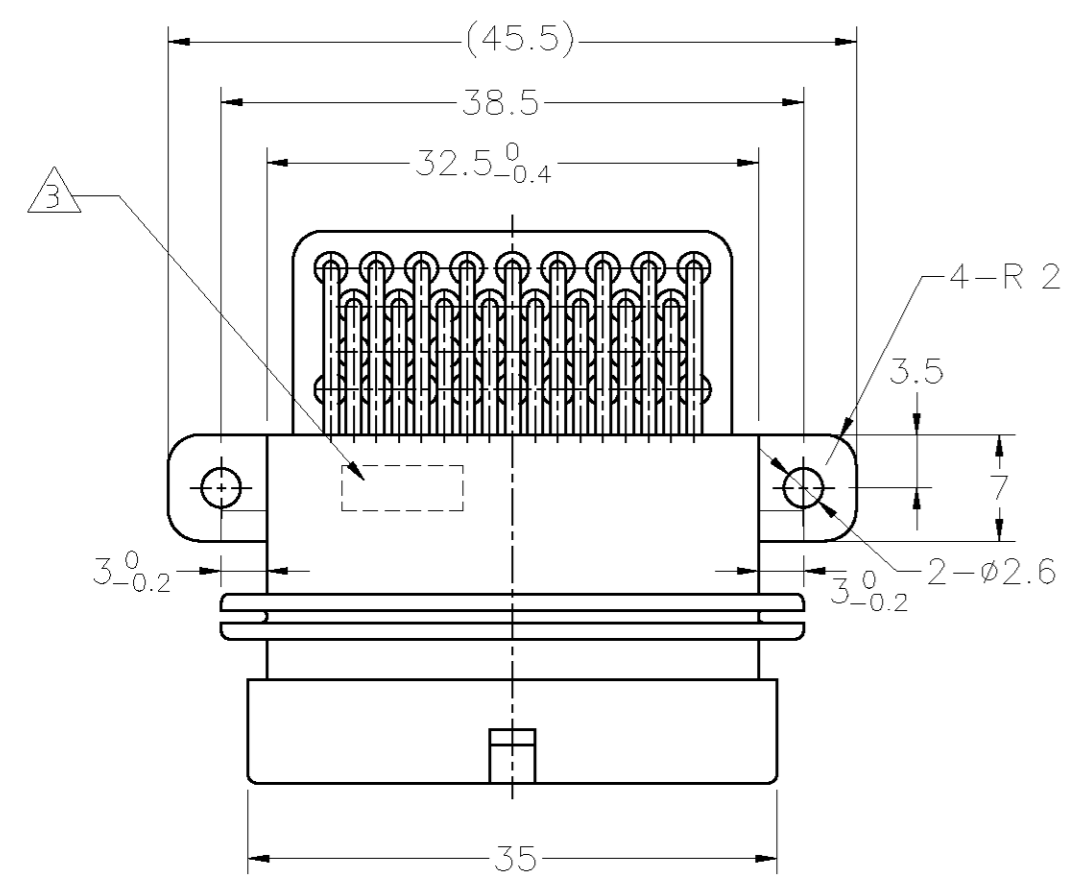
CUSTOMER DRAWING SCALE 2:1 SHEET 1 of 3 REV A

C3900136

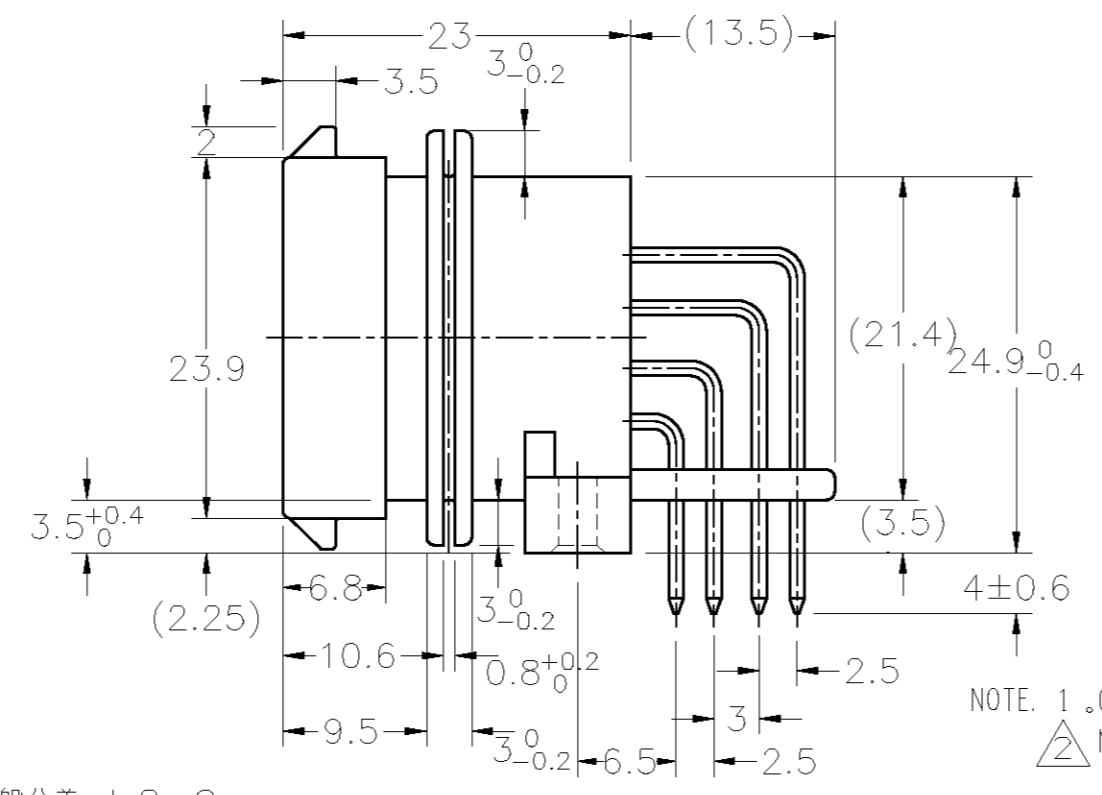
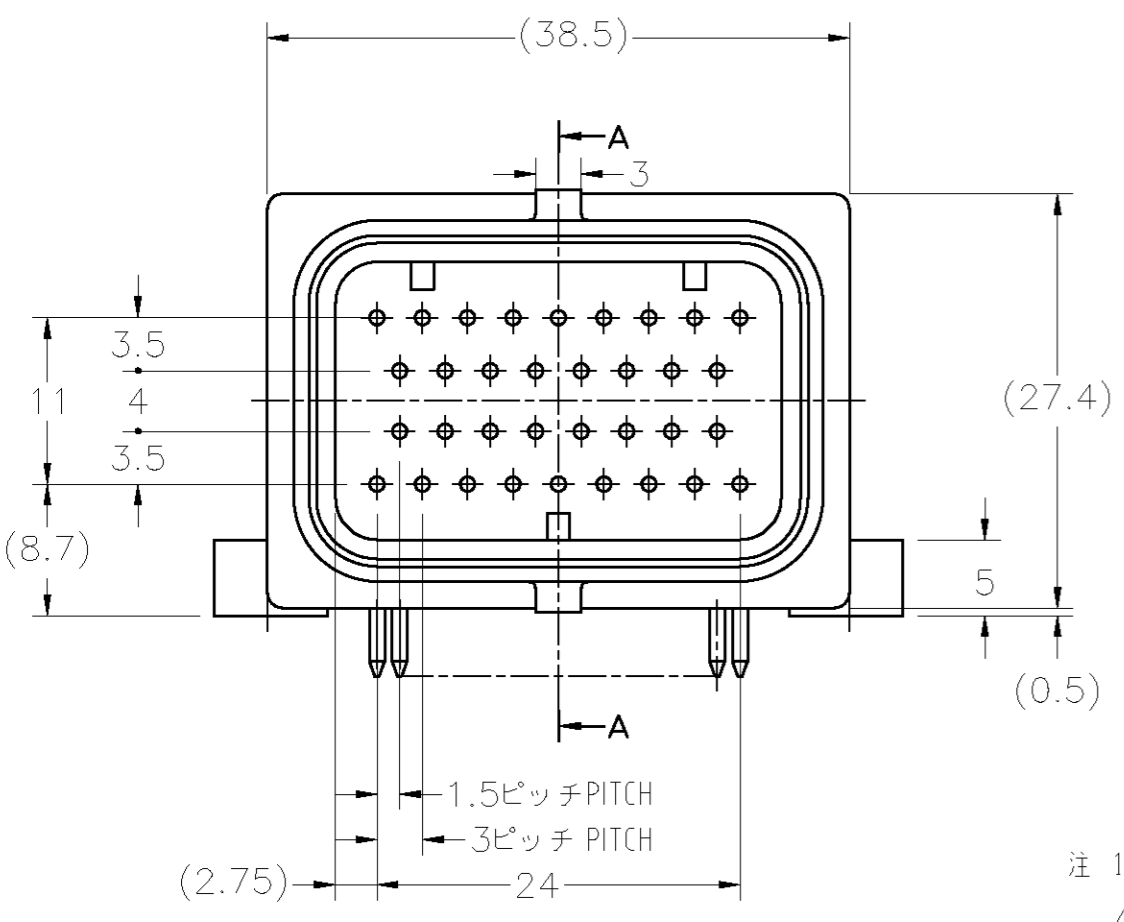
2-1437285-8

A

A



RECOMENDED P.W.B. DIM.
 プリント基板 推奨ホールパターン
 (図は実装面より見た場合)



- NOTE. 1. GENERAL TOLERANCE: ±0.3
2. MATERIAL
 CAP HOUSING: POLYESTER
 ARRANGEMENT PLATE: POLYESTER
 PIN CONTACT: BRASS GOLD PLATING OVER Ni PLATING (CONTACT PART)
 BRASS TIN-LEAD PLATING OVER Ni PLATING (SOLDERING PART)
3. MANUFACTURED DATE CONTROL NO.(LOT NO.)
 AS FOLLOWING IS INDICATED.
4. MOUNTING SCREW
 JIS B 1122 CROSS RECESSED PAN HEAD TAPPING SCREW
 TYPE 2 3xL (L=6.5xBOARD THICKNESS) (ZINC PLATING)
5. MATERIAL
 CAP HOUSING: POLYESTER
 ARRANGEMENT PLATE: POLYESTER
 PIN CONTACT: BRASS GOLD PLATING OVER Ni PLATING (CONTACT PART)
 BRASS TIN PLATING OVER Ni PLATING (SOLDERING PART)
6. PART NUMBER OF PLUG ASSEMBLY TO BE MATED: SEE TABLE-1

- 注 1. 一般公差: ±0.3
3. 材質 キャップハウジング: 熱可塑性ポリエステル樹脂
 整列板: 熱可塑性ポリエステル樹脂
 ピンコンタクト: 黄銅/ニッケル下地、金めっき (接点部)
 はんだめっき (基板側)
3. 当箇所製造日管理番号(ロット番号)を印字する。
4. 基板取付け推奨ねじ
 JIS B 1122 十字穴付きタッピンねじ なべ2種 3xL (L=6.5+基板厚)
 先端溝付き及び溝無し (亜鉛メッキ)
 上記以外のねじを使用の場合、別途打ち合わせの事。
5. 材質 キャップハウジング: 熱可塑性ポリエステル樹脂
 整列板: 熱可塑性ポリエステル樹脂
 ピンコンタクト: 黄銅/ニッケル下地、金めっき (接点部)
 すずめっき (基板側)

6. 嵌合相手型番: TABLE-1 参照

| 3-6437285-1 | 3-1437290-9 |
|-------------|----------------------|
| 3-1437285-1 | 2-1437285-3 |
| 3-6437285-0 | |
| 3-1437285-0 | |
| PART NUMBER | MATING PLUG ASSEMBLY |

TABLE-1

3-1437285-1 (旧型番: 3900136-3412)
 3-6437285-1 (旧型番:)

| | 3-6437285-1 | △5 | - | - |
|----------|----------------|---------------------|--------------|-----|
| | 3-6437285-0 | △5 | - | 本 図 |
| OBSOLETE | 3-1437285-1 | △2 | 3900136-3412 | - |
| OBSOLETE | 3-1437285-0 | △2 | 3900136-3411 | 本 図 |
| | Part No. 型番 | Old Part No. 旧型番 | REMARK 備考 | |

| | | | | | |
|------------------------------------------------|--|----------------------------|---|-------------------------------------------------------------|--|
| THIS DRAWING IS A CONTROLLED DOCUMENT. | | DWN | - | Tyco Electronics Corporation Kawasaki, Japan | |
| DIMENSIONS: 単位: 寸 mm | | CHK | - | NAME 名称 | |
| TOLERANCES UNLESS OTHERWISE SPECIFIED: 一般公差 | | APVD | - | PRODUCT SPEC 製品規格 | |
| 0 PLC ± | | APPLICATION SPEC 取付適用規格 | | SUPER SEAL CONNECTOR CAP HOUSING ASS'Y 34P (DOUBLE LOCK) | |
| 1 PLC ± | | WEIGHT | | SIZE | |
| 2 PLC ± | | SCALE 2:1 | | CAGE CODE | |
| 3 PLC ± | | SHEET 2 of 3 | | DRAWING NO | |
| 4 PLC ± | | REV A | | 番号 | |
| ANGLES ± | | CUSTOMER DRAWING | | RESTRICTED TO | |
| FINISH 仕上 | | SCALE 2:1 | | A2 00779 C=2-1437285-8 | |
| MATERIAL 材料 | | SHEET 2 of 3 | | REV A | |
| SEE TABLE | | CUSTOMER DRAWING | | SCALE 2:1 | |

单击下面可查看定价，库存，交付和生命周期等信息

[>>TE Connectivity\(泰科\)](#)