

THIS DRAWING IS UNPUBLISHED.

RELEASED FOR PUBLICATION

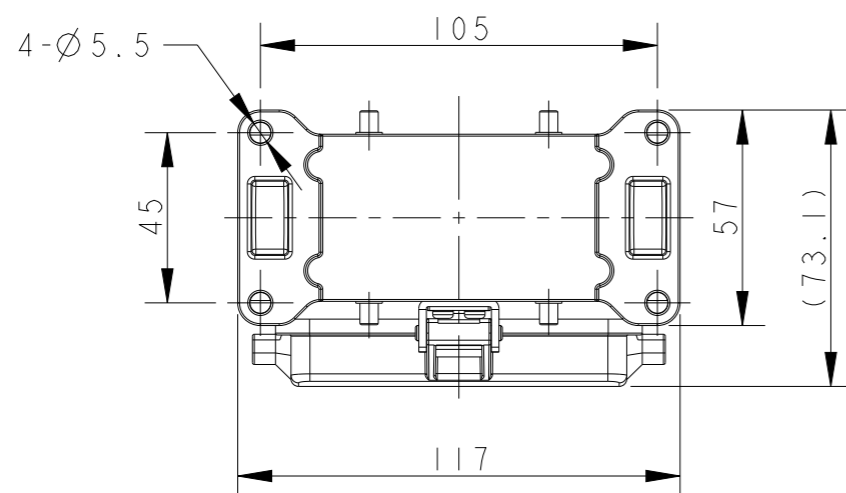
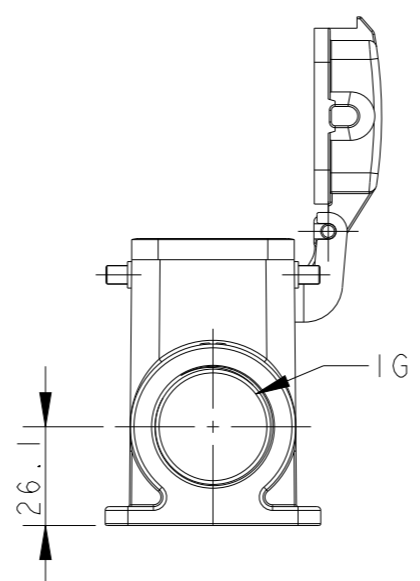
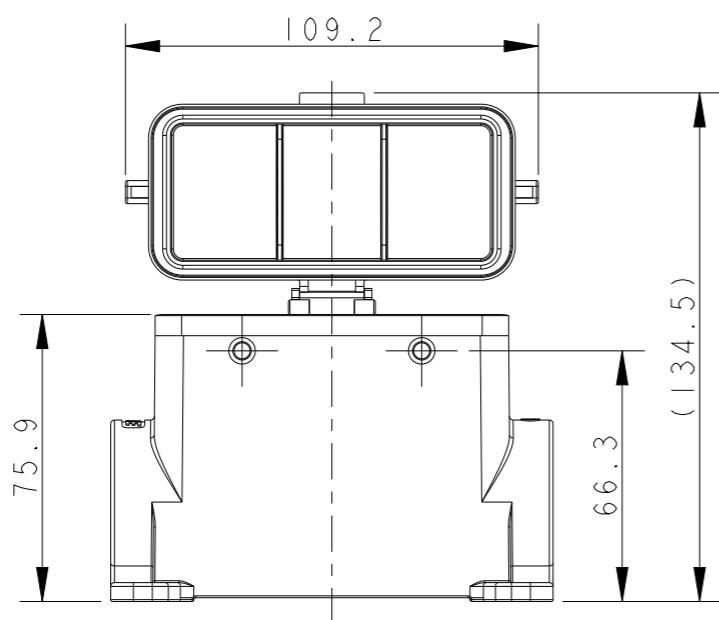
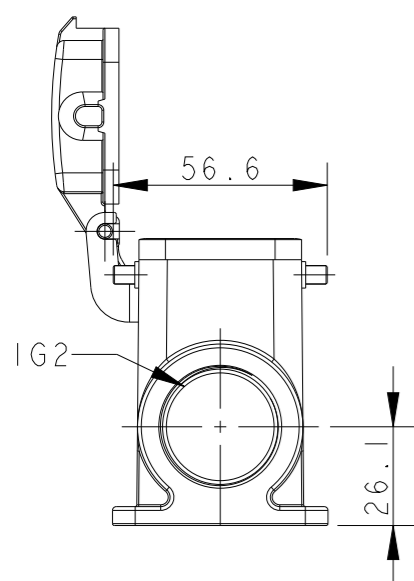
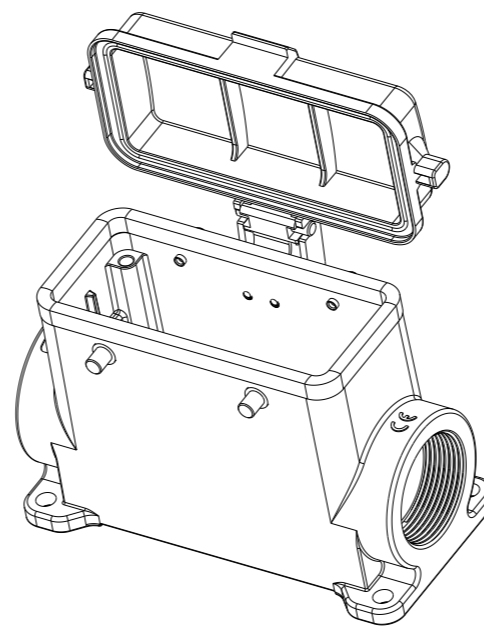
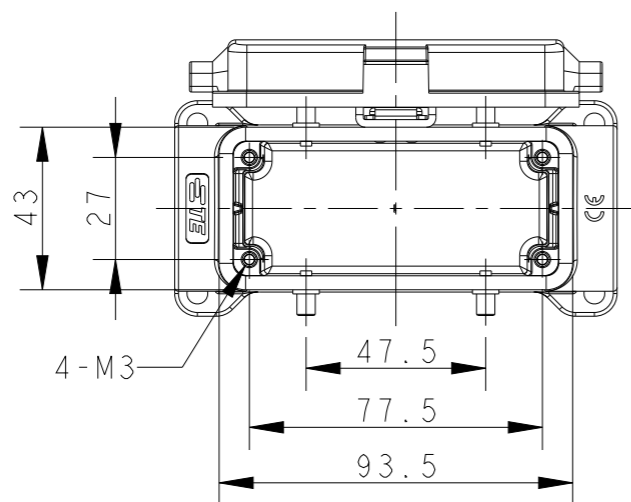
20

© COPYRIGHT 20 BY -

ALL RIGHTS RESERVED.

REVISIONS


P	LTR	DESCRIPTION	DATE	DWN	APVD
	A	INITIAL RELEASE	23JUN2015	DL	CW
	A1	ECR-18-009192	17SEP2018	YC	CW
	B	ECR-20-008190	14SEP2020	WQR	CW



NOTES:
 1. TECHNICAL CHARACTERISTICS:
 BODY MATERIAL: DIE CAST ALUMINIUM ALLOY
 SURFACE TREATMENT: POWDER-COATED, GRAY
 DEGREE OF PROTECTION: IP65 (MATED)

注释:
 1. 技术参数:
 主体材料: 铝合金
 表面处理: 粉末喷涂, 灰色
 防护等级: IP65(配合)

TYPE I: HIGH BODY + PLASTIC PROTECTION COVER
 类型 I: 高结构壳体+塑料固定保护盖

THIS DRAWING IS A CONTROLLED DOCUMENT.		DWN	DAVID LI	23JUN2015	 TE Connectivity NAME H16B-SDRH-BO-PG/M
DIMENSIONS: mm		CHK	CHRIS WANG	23JUN2015	
TOLERANCES UNLESS OTHERWISE SPECIFIED:		APVD	XU XIANG	23JUN2015	
0 PLC ±- 1 PLC ±- 2 PLC ±- 3 PLC ±- 4 PLC ±- ANGLES ±- FINISH -		PRODUCT SPEC	108-137013	APPLICATION SPEC	
MATERIAL	TBD	WEIGHT	-	CUSTOMER DRAWING	SIZE A3 CAGE CODE - DRAWING NO. ©-T149016XXXX000 RESTRICTED TO SCALE 1:2 SHEET 1 OF 3 REV B

4

3

2

1

THIS DRAWING IS UNPUBLISHED.

RELEASED FOR PUBLICATION

20

© COPYRIGHT 20 BY -

ALL RIGHTS RESERVED.

REVISIONS

P	LTR	DESCRIPTION	DATE	DWN	APVD
	-	SEE SHEET 1	-	-	-

NOTES:
SEE SHEET 1.
注释:
见 SHEET 1.

TYPE 2: HIGH BODY + METAL PROTECTION COVER

OTHER SPEC REFER TO TYPE 1

类型 2: 高结构壳体+金属固定保护盖
未注尺寸参照类型 1

THIS DRAWING IS A CONTROLLED DOCUMENT.

DIMENSIONS:	TOLERANCES UNLESS OTHERWISE SPECIFIED:
mm	
	0 PLC ±-
	1 PLC ±-
	2 PLC ±-
	3 PLC ±-
	4 PLC ±-
	ANGLES ±-
	FINISH -
	-

DWN	DAVID LI	23JUN2015
CHK	CHRIS WANG	23JUN2015
APVD	XU XIANG	23JUN2015
PRODUCT SPEC	108-137013	
APPLICATION SPEC	114-137013	
WEIGHT	-	
CUSTOMER DRAWING		

		TE Connectivity	
		NAME H16B-SDRHM-BO-PG/M	
SIZE	CAGE CODE	DRAWING NO	RESTRICTED TO
A3	-	©-T149016XXXX000	
SCALE 1:2		SHEET 2 OF 3	REV B

1470-19 (3/13)

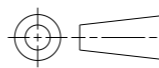
Downloaded From Onevac.com

THIS DRAWING IS UNPUBLISHED. RELEASED FOR PUBLICATION 20
 © COPYRIGHT 20 BY - ALL RIGHTS RESERVED.


REVISIONS					
P	LTR	DESCRIPTION	DATE	DWN	APVD
	-	SEE SHEET 1	-	-	-

T1490160121-000	HI6B-SDRH-BO-PG21	HI6B HOUSING, SURFACE MOUNTED, 4 EAR, PG21, HIGH CONSTRUCTION, PLASTIC PROTECTION COVER, POWDER COATED, GREY / HI6B下壳, 表面安装, 4耳, PG21, 高结构, 带塑料保护盖, 灰色粉末喷涂	PG21	-	TYPE 1 类型 1	
T1490160129-000	HI6B-SDRH-BO-PG29	HI6B HOUSING, SURFACE MOUNTED, 4 EAR, PG29, HIGH CONSTRUCTION, PLASTIC PROTECTION COVER, POWDER COATED, GREY / HI6B下壳, 表面安装, 4耳, PG29, 高结构, 带塑料保护盖, 灰色粉末喷涂	PG29	-		
T1490160125-000	HI6B-SDRH-BO-M25	HI6B HOUSING, SURFACE MOUNTED, 4 EAR, M25, HIGH CONSTRUCTION, PLASTIC PROTECTION COVER, POWDER COATED, GREY / HI6B下壳, 表面安装, 4耳, M25, 高结构, 带塑料保护盖, 灰色粉末喷涂	M25	-		
T1490160132-000	HI6B-SDRH-BO-M32	HI6B HOUSING, SURFACE MOUNTED, 4 EAR, M32, HIGH CONSTRUCTION, PLASTIC PROTECTION COVER, POWDER COATED, GREY / HI6B下壳, 表面安装, 4耳, M32, 高结构, 带塑料保护盖, 灰色粉末喷涂	M32	-		
T1490160221-000	HI6B-SDRH-BO-2PG21	HI6B HOUSING, SURFACE MOUNTED, 4 EAR, 2PG21, HIGH CONSTRUCTION, PLASTIC PROTECTION COVER, POWDER COATED, GREY / HI6B下壳, 表面安装, 4耳, 2PG21, 高结构, 带塑料保护盖, 灰色粉末喷涂	PG21	PG21		
T1490160229-000	HI6B-SDRH-BO-2PG29	HI6B HOUSING, SURFACE MOUNTED, 4 EAR, 2PG29, HIGH CONSTRUCTION, PLASTIC PROTECTION COVER, POWDER COATED, GREY / HI6B下壳, 表面安装, 4耳, 2PG29, 高结构, 带塑料保护盖, 灰色粉末喷涂	PG29	PG29		
T1490160225-000	HI6B-SDRH-BO-2M25	HI6B HOUSING, SURFACE MOUNTED, 4 EAR, 2M25, HIGH CONSTRUCTION, PLASTIC PROTECTION COVER, POWDER COATED, GREY / HI6B下壳, 表面安装, 4耳, 2M25, 高结构, 带塑料保护盖, 灰色粉末喷涂	M25	M25		
T1490160232-000	HI6B-SDRH-BO-2M32	HI6B HOUSING, SURFACE MOUNTED, 4 EAR, 2M32, HIGH CONSTRUCTION, PLASTIC PROTECTION COVER, POWDER COATED, GREY / HI6B下壳, 表面安装, 4耳, 2M32, 高结构, 带塑料保护盖, 灰色粉末喷涂	M32	M32		
T1490161121-000	HI6B-SDRHM-BO-PG21	HI6B HOUSING, SURFACE MOUNTED, 4 EAR, PG21, HIGH CONSTRUCTION, METAL PROTECTION COVER, POWDER COATED, GREY / HI6B下壳, 表面安装, 4耳, PG21, 高结构, 带金属保护盖, 灰色粉末喷涂	PG21	-	TYPE 2 类型 2	
T1490161129-000	HI6B-SDRHM-BO-PG29	HI6B HOUSING, SURFACE MOUNTED, 4 EAR, PG29, HIGH CONSTRUCTION, METAL PROTECTION COVER, POWDER COATED, GREY / HI6B下壳, 表面安装, 4耳, PG29, 高结构, 带金属保护盖, 灰色粉末喷涂	PG29	-		
T1490161132-000	HI6B-SDRHM-BO-M32	HI6B HOUSING, SURFACE MOUNTED, 4 EAR, M32, HIGH CONSTRUCTION, METAL PROTECTION COVER, POWDER COATED, GREY / HI6B下壳, 表面安装, 4耳, M32, 高结构, 带金属保护盖, 灰色粉末喷涂	M32	-		
T1490161221-000	HI6B-SDRHM-BO-2PG21	HI6B HOUSING, SURFACE MOUNTED, 4 EAR, 2PG21, HIGH CONSTRUCTION, METAL PROTECTION COVER, POWDER COATED, GREY / HI6B下壳, 表面安装, 4耳, 2PG21, 高结构, 带金属保护盖, 灰色粉末喷涂	PG21	PG21		
T1490161229-000	HI6B-SDRHM-BO-2PG29	HI6B HOUSING, SURFACE MOUNTED, 4 EAR, 2PG29, HIGH CONSTRUCTION, METAL PROTECTION COVER, POWDER COATED, GREY / HI6B下壳, 表面安装, 4耳, 2PG29, 高结构, 带金属保护盖, 灰色粉末喷涂	PG29	PG29		
T1490161232-000	HI6B-SDRHM-BO-2M32	HI6B HOUSING, SURFACE MOUNTED, 4 EAR, 2M32, HIGH CONSTRUCTION, METAL PROTECTION COVER, POWDER COATED, GREY / HI6B下壳, 表面安装, 4耳, 2M32, 高结构, 带金属保护盖, 灰色粉末喷涂	M32	M32		
PART NUMBER 料号	PART DESCRIPTION 描述			IG1	IG2	TYPE 类型

THIS DRAWING IS A CONTROLLED DOCUMENT.

DIMENSIONS: mm	TOLERANCES UNLESS OTHERWISE SPECIFIED:
	0 PLC ±-
	1 PLC ±-
	2 PLC ±-
	3 PLC ±-
	4 PLC ±-
	ANGLES ±-
MATERIAL TBD	FINISH -

DWN DAVID LI	23JUN2015
CHK CHRIS WANG	23JUN2015
APVD XU XIANG	23JUN2015
PRODUCT SPEC	108-137013
APPLICATION SPEC	114-137013
WEIGHT	-
CUSTOMER DRAWING	



TE Connectivity

NAME
HI6B-SDRH-BO-PG/M

SIZE A3	CAGE CODE -	DRAWING NO ①-TI49016XXXX000	RESTRICTED TO
SCALE 1:2		SHEET 3 OF 3	REV B

单击下面可查看定价，库存，交付和生命周期等信息

[>>TE Connectivity\(泰科\)](#)