

THIS DRAWING IS UNPUBLISHED.

RELEASED FOR PUBLICATION

© COPYRIGHT 20

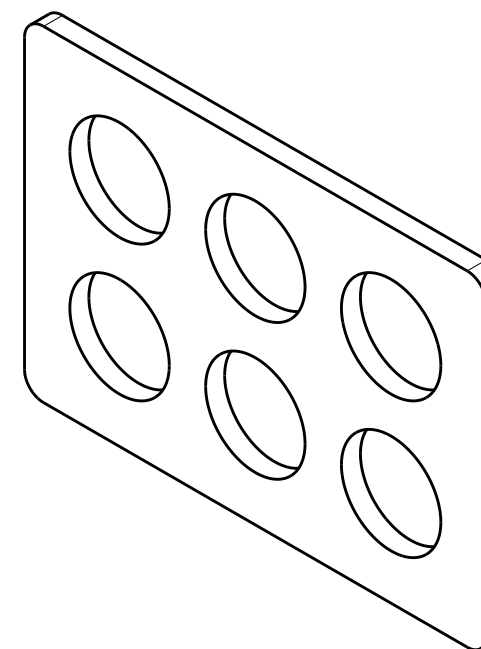
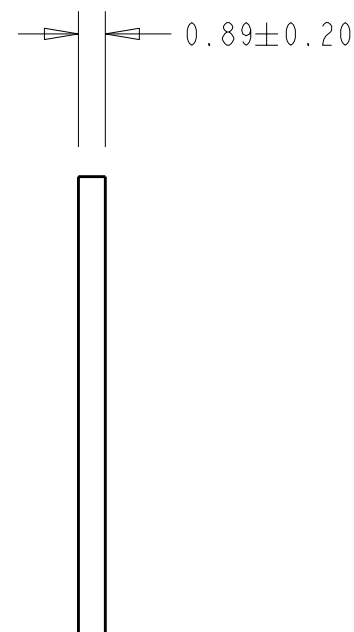
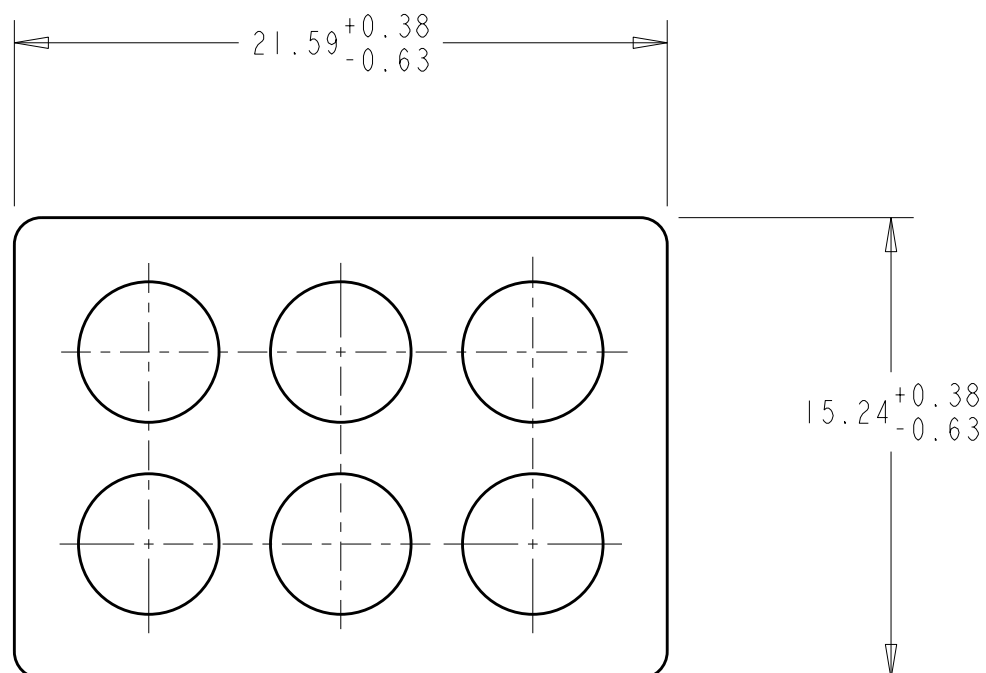
ALL RIGHTS RESERVED.

LOC CM DIST 45


REVISIONS

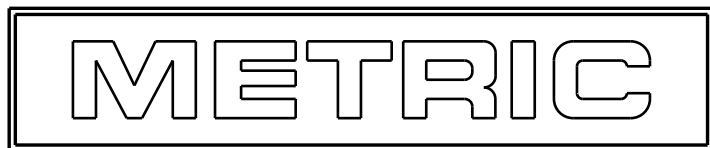
P	LTR	DESCRIPTION	DATE	DWN	APVD
	A	RELEASED PER ECR 11-024180	02DEC11	JR	TM

1 MATERIAL: CLOSED CELL SILICON FOAM, BLACK  
 2. SUPPLIED ON MYLAR TAPE.



2029383-1  
PART NUMBER

THIS DRAWING IS A CONTROLLED DOCUMENT.		DWN RAGHAVENDRA 07JUL2011	 TE Connectivity	
DIMENSIONS: mm		CHK THOMAS MICHIELUTTI 07JUL2011		
TOLERANCES UNLESS OTHERWISE SPECIFIED:		APVD THOMAS MICHIELUTTI 07JUL2011	NAME FRONT2REAR SPACER, 6 CIRCUIT, UNIVERSAL MATE-N-LOK-11	
0 PLC ±-		PRODUCT SPEC -	SIZE A3	
1 PLC ±-		APPLICATION SPEC -	CAGE CODE 00779	DRAWING NO C-2029383
2 PLC ±0.51		WEIGHT -	RESTRICTED TO -	
3 PLC ±-		CUSTOMER DRAWING	SCALE 4:1	SHEET OF REV A
4 PLC ±-				
ANGLES ±-				
MATERIAL				
FINISH -				



单击下面可查看定价，库存，交付和生命周期等信息

[>>TE Connectivity\(泰科\)](#)