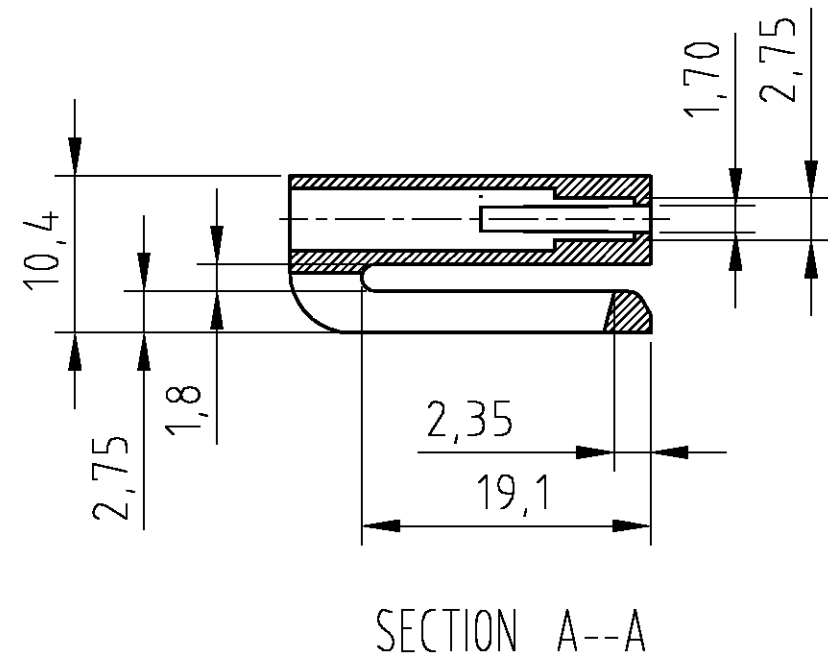
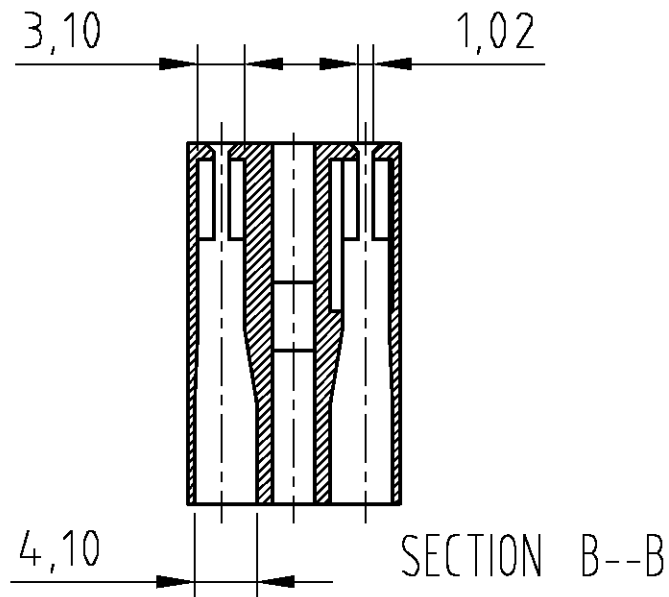
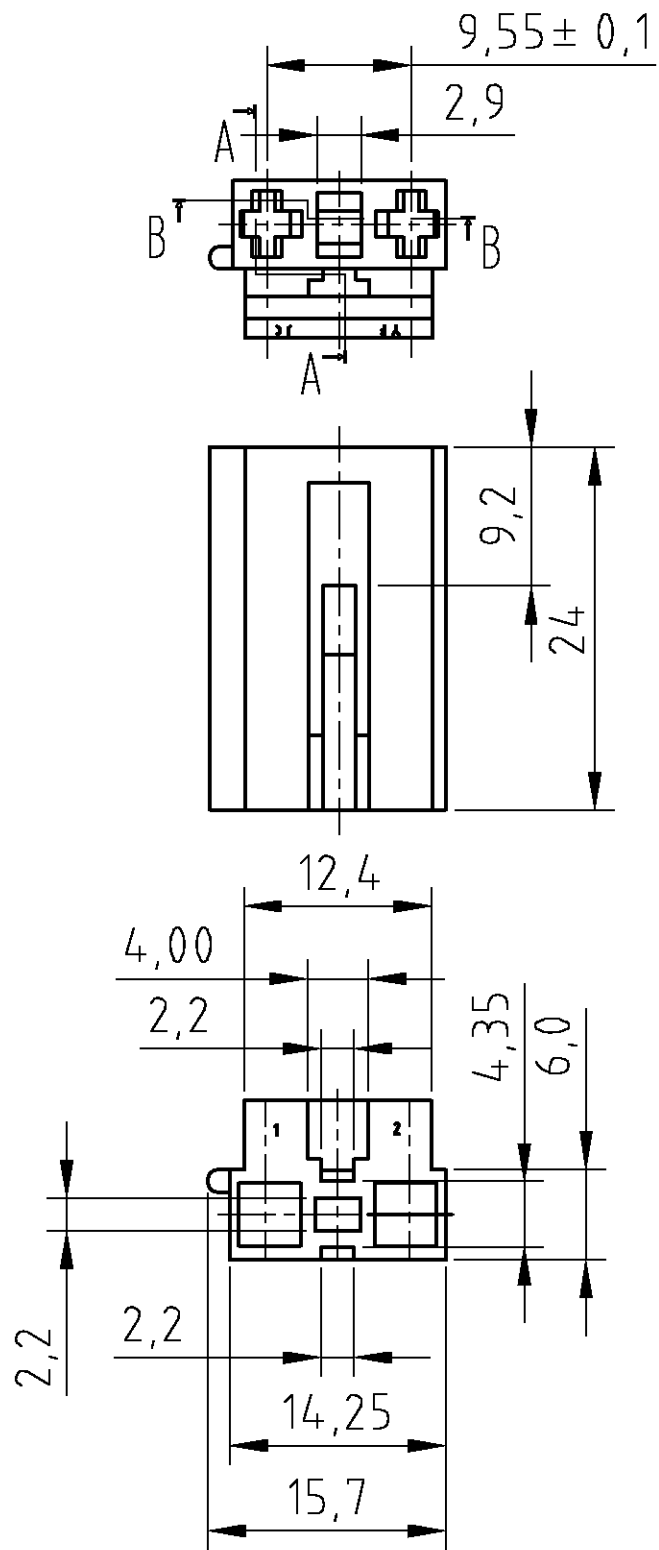


LOC	DIST	REVISIONS					
		P	LTR	DESCRIPTION	DATE	DWN	APVD
J	—	01	REVISED	ECR-07-007872	05APR07	MS	KB



- NOTE:
- △ MATERIAL: NYLON PA66 94-V0  
COLOR: GRAY
  - △ MATERIAL: NYLON PA66 94-V0  
COLOR: WHITE
  - 3. APPLIDE TERMINAL: 964284-2 OR 965999-2

△	623346-4
PACKAGED FROM 623346-4	623346-3
△	623346-2
PACKAGED FROM 623346-2	623346-1
MATERIAL	P/N

THIS DRAWING IS A CONTROLLED DOCUMENT.		DWN ANSIN YANG 12FEB2004	Tyco Electronics AMP K.K. Kawasaki, Japan	
DIMENSIONS: 單位: 耗 mm		CHK MICHELLE PENG 13FEB04		
TOLERANCES UNLESS OTHERWISE SPECIFIED: 一般公差		APVD N.SAI 13FEB04	NAME 名称 HOUSING 2POSN CONNECTOR	
0 PLC ± - 1 PLC ± 0.50 2 PLC ± 0.20 3 PLC ± 0.10 4 PLC ± - ANGLES ± 1		PRODUCT SPEC 製品規格	SIZE A3	
MATERIAL 材料 PA66 94-V0		APPLICATION SPEC 取付適用規格	CAGE CODE 00779	DRAWING NO 番号 C-623346
FINISH 仕上 SEE NOTE		WEIGHT -	RESTRICTED TO -	
CUSTOMER DRAWING			SCALE 尺度 1:1	SHEET 1 OF 1
			REV 01	

单击下面可查看定价，库存，交付和生命周期等信息

[>>TE Connectivity\(泰科\)](#)